

4

3

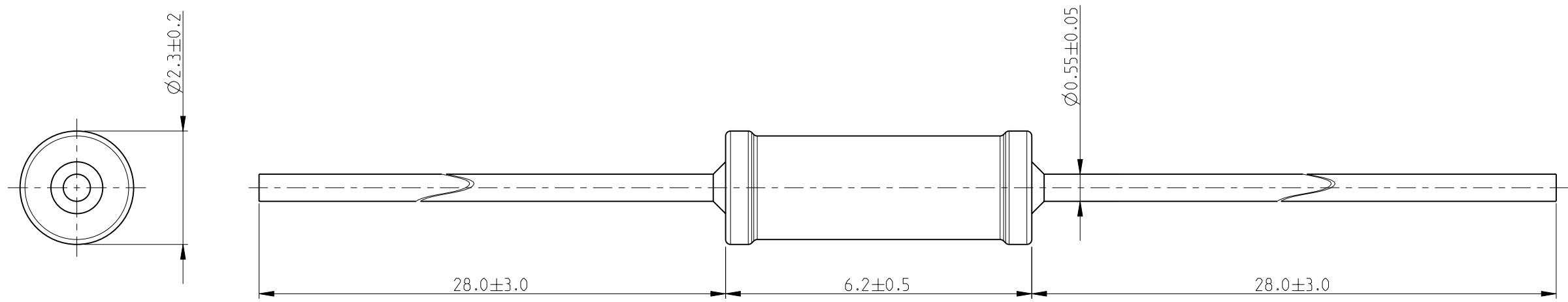
2

1

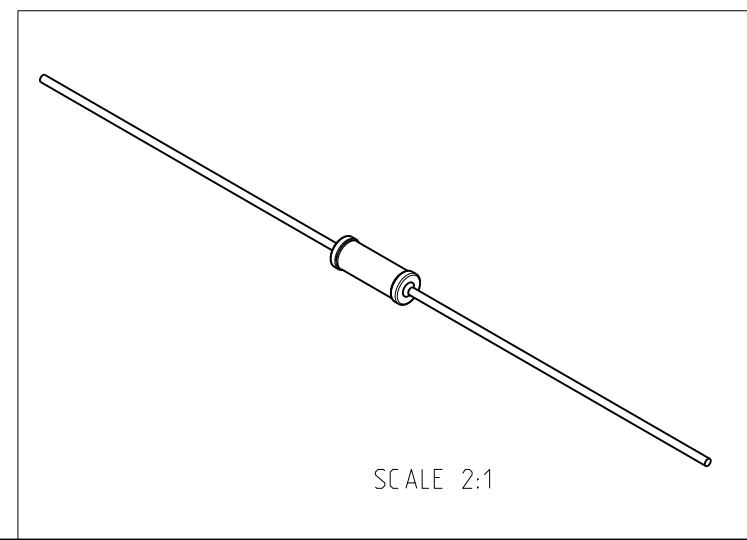
THIS DRAWING IS UNPUBLISHED. RELEASED FOR PUBLICATION 2010  
 © COPYRIGHT 2010 BY TYCO ELECTRONICS CORPORATION. ALL RIGHTS RESERVED.

| LOC | DIST | REVISIONS   |             |           |          |
|-----|------|-------------|-------------|-----------|----------|
| P   | LTR  | DESCRIPTION | DATE        | DWN       | APVD     |
| E   | B    | BA          | NEW RELEASE | 19-FEB-10 | MRS St.P |

FOR FURTHER INFORMATION SEE DATA SHEET FOR  
 SERIES LR, METAL FILM FIXED RESISTORS



RoHS Compliant



|   |  |   |  |  |                 |
|---|--|---|--|--|-----------------|
| <small>THIS DRAWING IS A CONTROLLED DOCUMENT FOR TYCO ELECTRONICS CORPORATION<br/>         IT IS SUBJECT TO CHANGE AND THE CONTROLLING ENGINEERING ORGANIZATION<br/>         SHOULD BE CONTACTED FOR THE LATEST REVISION.</small> |  | DWN MAHARUDRA 19-FEB-10<br>CHK ALLAN.P 19-FEB-10<br>APVD STEPHEN.P 19-FEB-10  |  | Tyco Electronics Corporation<br>Dorcan, Swindon, SN3 5HH |                 |
| DIMENSIONS:<br>mm   |  | TOLERANCES UNLESS OTHERWISE SPECIFIED:<br>0 PLC $\pm 0.2$<br>1 PLC $\pm 0.1$<br>2 PLC $\pm -$<br>3 PLC $\pm -$<br>4 PLC $\pm -$<br>ANGLES $\pm 5^\circ$ |  | NAME METAL FILM FIXED RESISTORS<br>SERIES LR1            |                 |
|   |  | MATERIAL - FINISH -   |  | PRODUCT SPEC - APPLICATION SPEC - WEIGHT -               |                 |
|   |  | CUSTOMER DRAWING  |  | SIZE A3 CAGE CODE 00779 DRAWING NO C-1622590             | RESTRICTED TO - |
|   |  | SCALE 10:1  |  | SHEET 1 OF 1 REV BA                                      |                 |

# Mouser Electronics

Authorized Distributor

Click to View Pricing, Inventory, Delivery & Lifecycle Information:

[TE Connectivity:](#)

[LR1F910R](#)