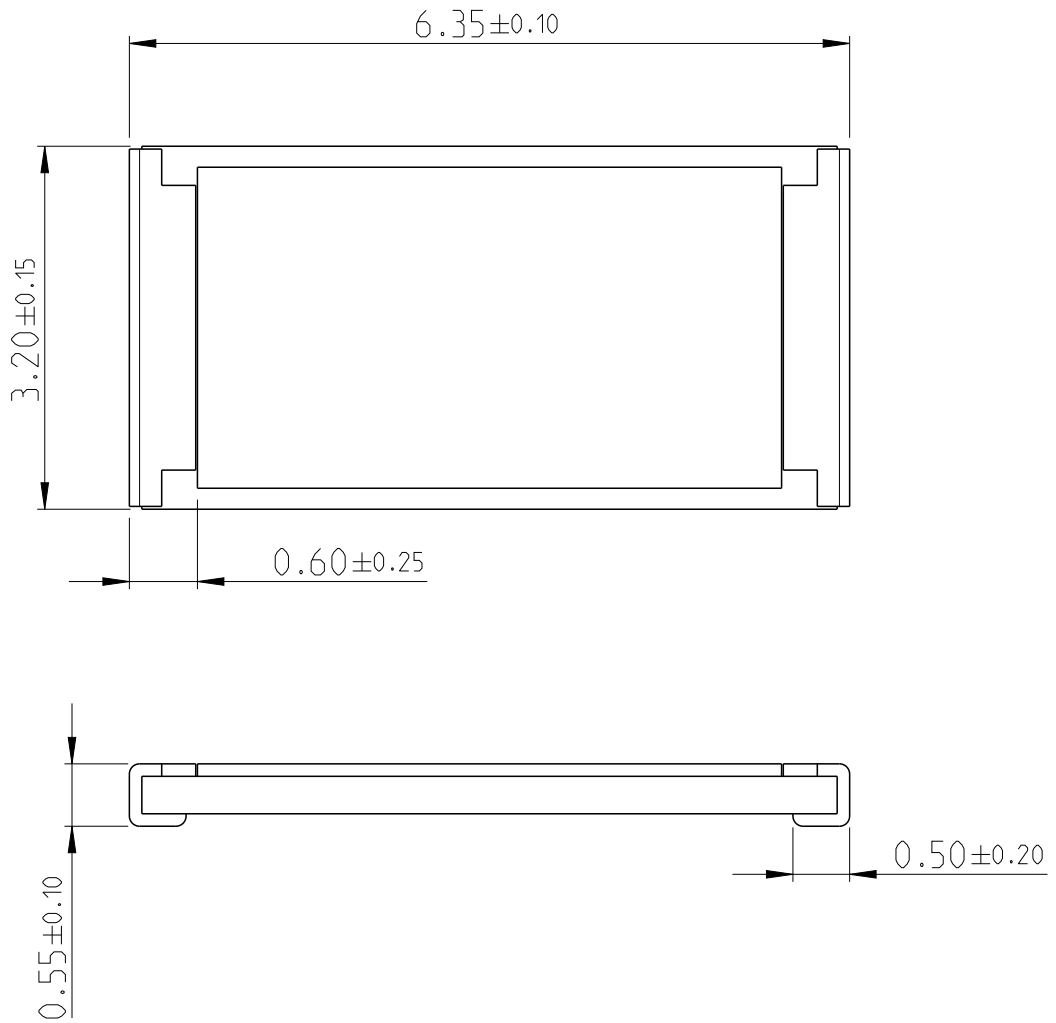
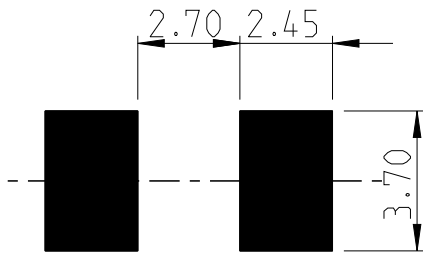


LOC	DIST	REVISIONS					
-	-	P	LTR	DESCRIPTION	DATE	DWN	APVD
		BC		ECR-16-000748	18JAN2016	KR	TN

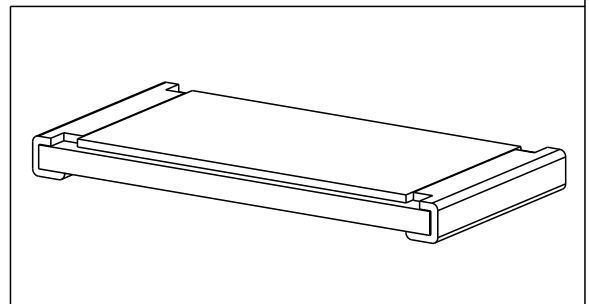


FOR FURTHER INFORMATION SEE DATA SHEET FOR 3521 SERIES

RoHS Compliant



PDB LAYOUT PLAN




RELEASED FOR PUBLICATION

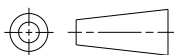
THIS DRAWING IS UNPUBLISHED.

ALL RIGHTS RESERVED.

BY -

© COPYRIGHT 20

DIMENSIONS: mm	DWN DARSHAN MS	15MAR2012	MATERIAL	-	FINISH	-
	CHK ALLAN P	15MAR2012	 TE Connectivity			
TOLERANCES UNLESS OTHERWISE SPECIFIED:	APVD STEPHEN.P	15MAR2012				
	0 PLC ±	PRODUCT SPEC	SIZE	CAGE CODE	DRAWING NO	RESTRICTED TO
1 PLC ±0.5	-	APPLICATION SPEC	A 4	00779	C-2176070	-
2 PLC ±0.13	WEIGHT	0.03806 Gram	SCALE	40:1	SHEET	1 OF 1
3 PLC ±0.013	Customer Drawing				REV	BC
4 PLC ±0.0001						
ANGLES ±						



Mouser Electronics

Authorized Distributor

Click to View Pricing, Inventory, Delivery & Lifecycle Information:

[TE Connectivity:](#)

[3521110RFT](#)