

THIS DRAWING IS UNPUBLISHED. RELEASED FOR PUBLICATION  
 © COPYRIGHT - BY - ALL RIGHTS RESERVED.

| REVISIONS |     |                                  |           |        |
|-----------|-----|----------------------------------|-----------|--------|
| P         | LTR | DESCRIPTION                      | DATE      | APVD   |
| W         |     | REDRWN/REVISED PER ECO 17-001757 | 21APR2017 | RLK JO |

1 FINISH: CONTACTS, 0.76µm MIN GOLD IN LOCALIZED CONTACT MATING AREA, 3.81µm TIN-LEAD IN LOCALIZED SOLDER AREA, BOTH ARE OVER 1.27µm MIN NICKEL

2. NOTE DELETED

3. MATERIAL: HOUSING: UL94 V-O RATED LCP, COLOR BLACK CONTACT: COPPER ALLOY

4 THE NOTED DIMENSIONS APPLY AT THE INTERSECTION OF THE POST AND HOUSING.

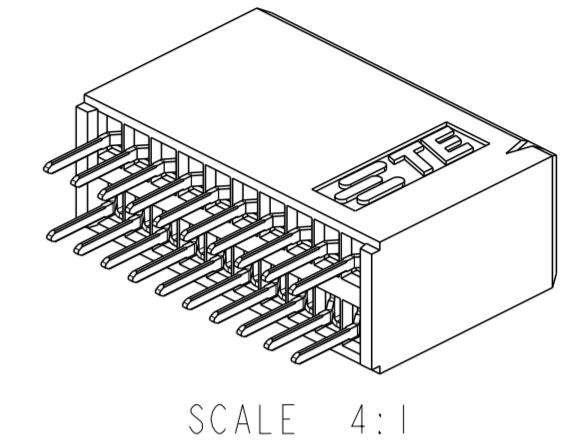
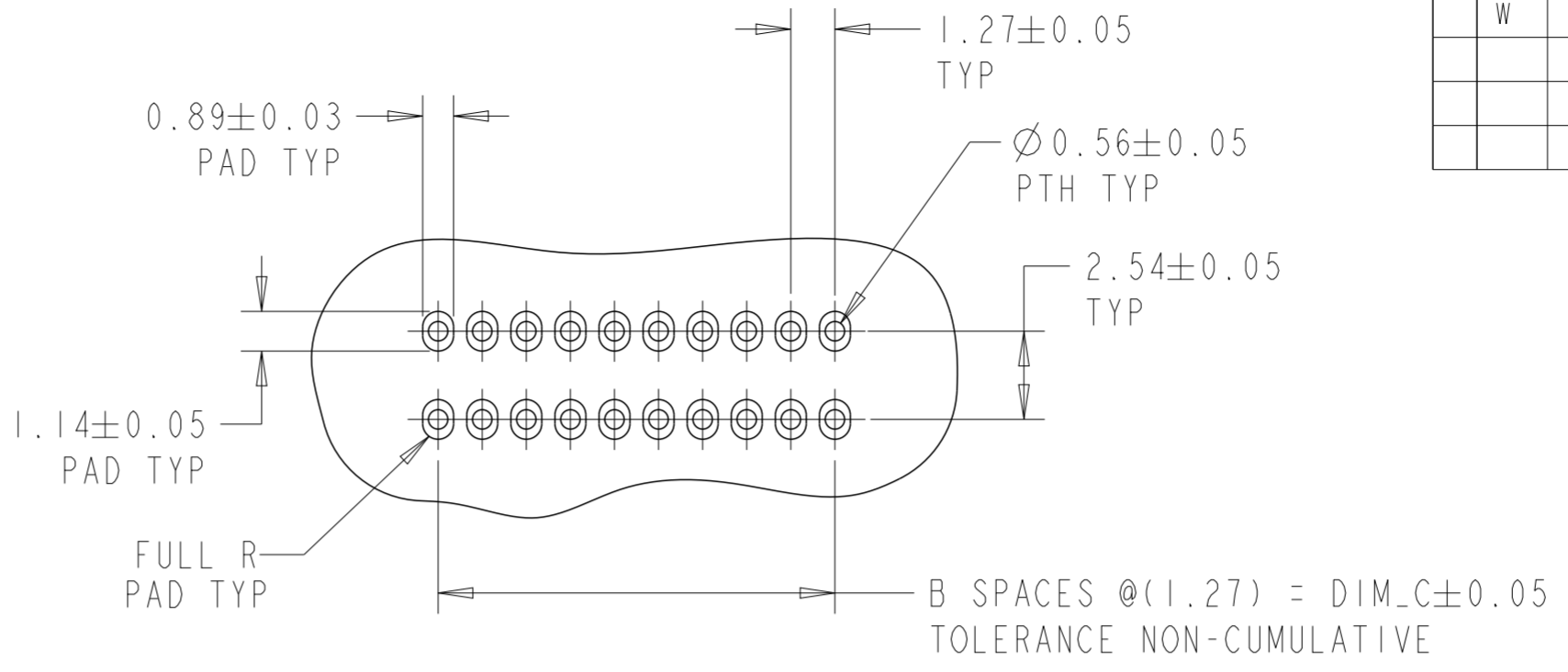
5. NOTE DELETED  
6. NOTE DELETED

7 FINISH: CONTACTS, 0.76µm MIN GOLD IN LOCALIZED CONTACT MATING AREA, 3.81µm TIN IN LOCALIZED SOLDER AREA, BOTH ARE OVER 1.27µm MIN NICKEL

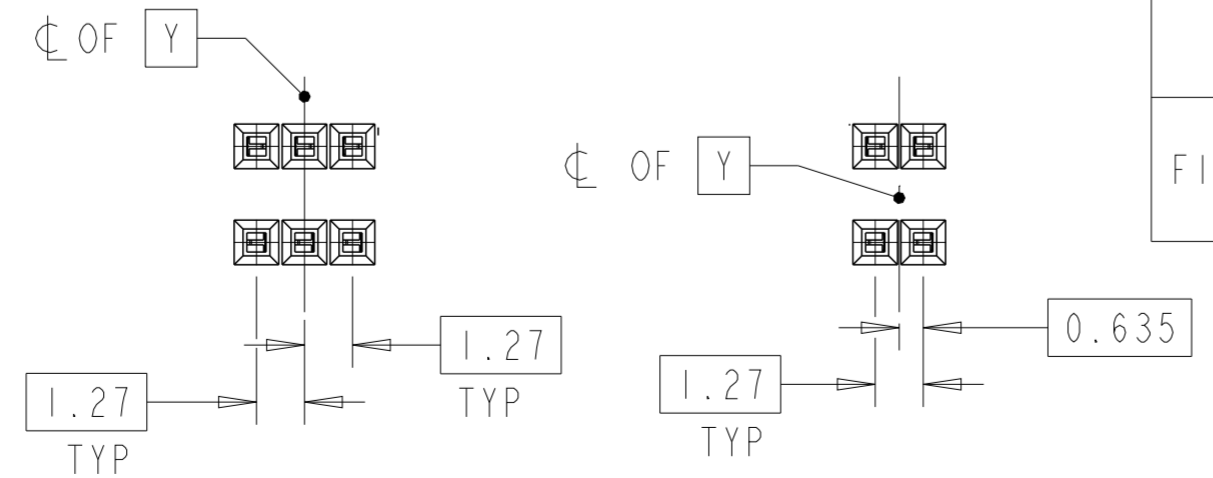
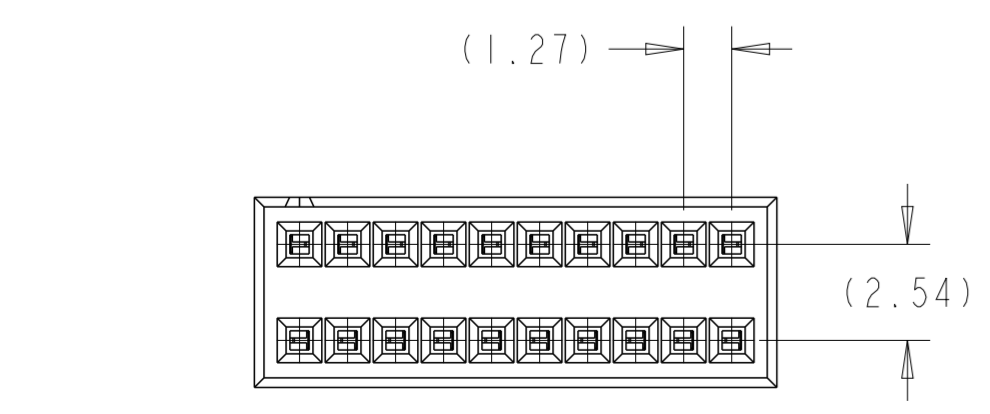
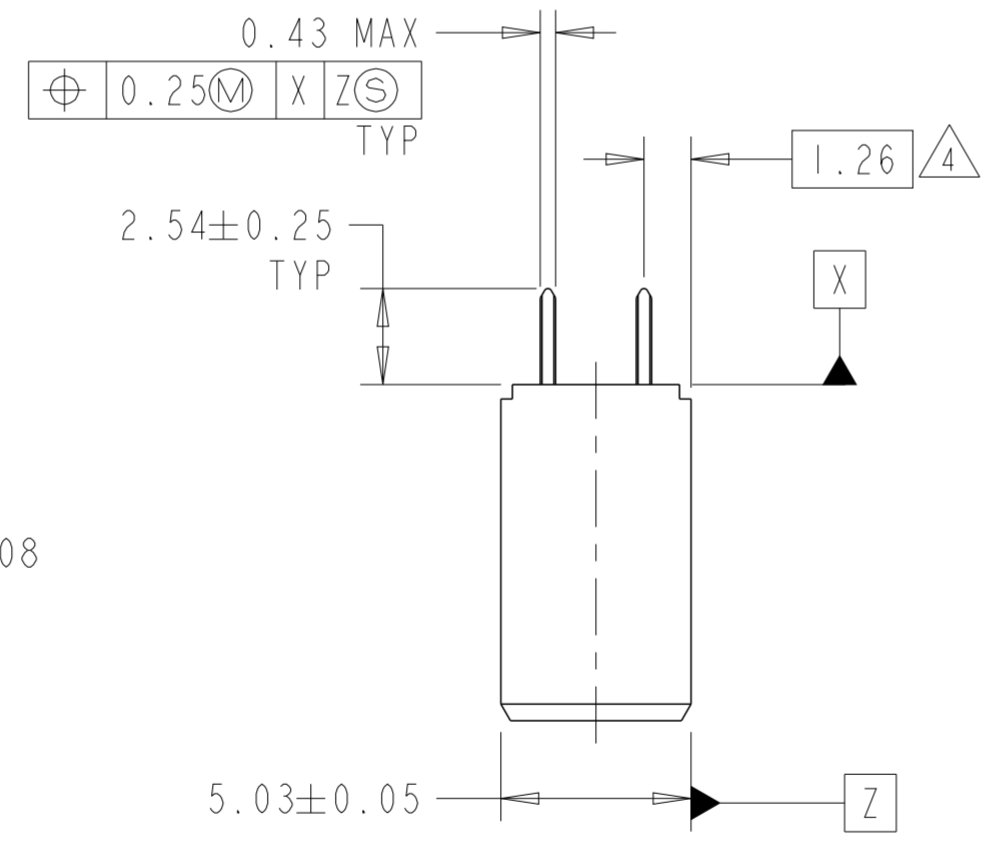
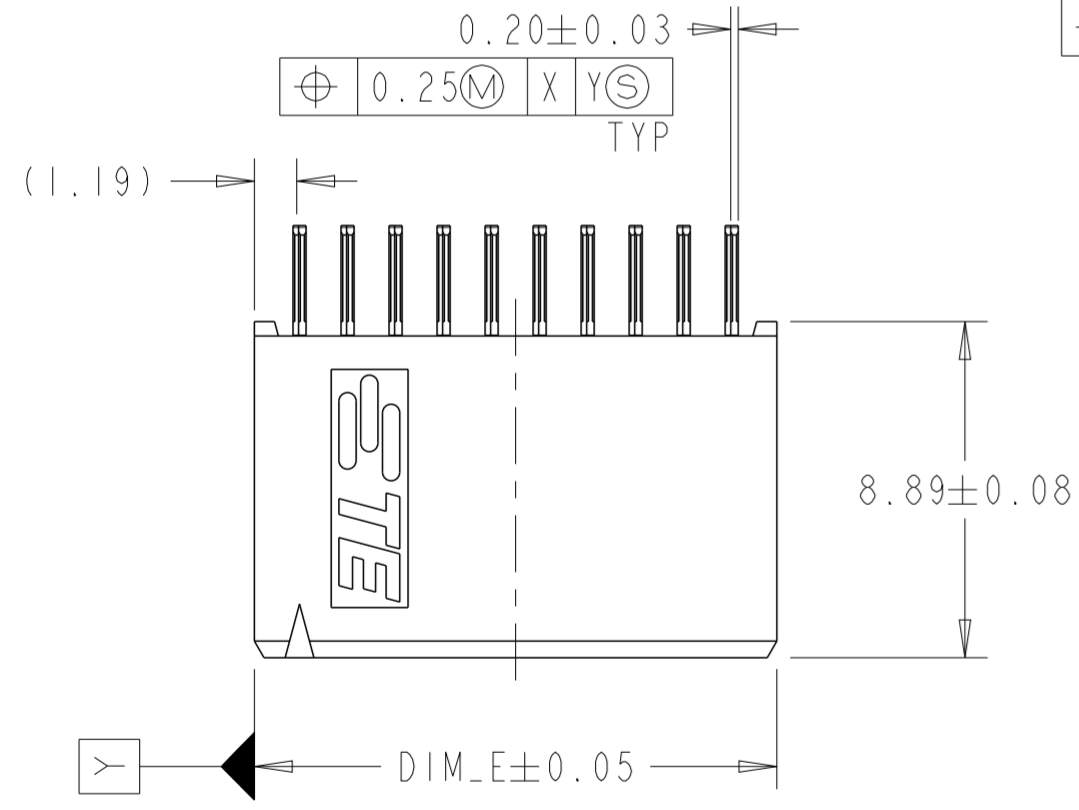
8 FINISH: CONTACTS, 0.03µm MIN GOLD IN LOCALIZED CONTACT MATING AREA, 3.81µm MIN TIN-LEAD IN LOCALIZED SOLDER AREA, BOTH ARE OVER 1.27µm MIN NICKEL

9 FINISH: CONTACTS, 0.03µm MIN GOLD IN LOCALIZED CONTACT MATING AREA, 3.81µm MATTE TIN IN LOCALIZED SOLDER AREA, BOTH ARE OVER 1.27µm MIN NICKEL

10. NOTE DELETED  
11. NOTE DELETED  
12. NOTE DELETED



RECOMMENDED PC BOARD LAYOUT  
SCALE 5:1



BASIC DIMENSIONS FOR EVEN NO OF SPACES (SEE TABLE)

BASIC DIMENSIONS FOR ODD NO OF SPACES (SEE TABLE)

| FINISH | DIM_C | B SPACES | DIM_E | NO OF POSN | PART NUMBER | FINISH | DIM_C | B SPACES | DIM_E      | NO OF POSN | PART NUMBER |
|--------|-------|----------|-------|------------|-------------|--------|-------|----------|------------|------------|-------------|
| 9      | 7.62  | 6        | 10.01 | 14         | 8-104078-4  | 8      | 7.62  | 6        | 10.01      | 14         | 3-104078-4  |
|        | 41.91 | 33       | 44.30 | 68         | 8-104078-3  |        | 41.91 | 33       | 44.30      | 68         | 3-104078-3  |
|        | 44.45 | 35       | 46.84 | 72         | 8-104078-2  |        | 44.45 | 35       | 46.84      | 72         | 3-104078-2  |
|        | 8.89  | 7        | 11.28 | 16         | 8-104078-1  |        | 8.89  | 7        | 11.28      | 16         | 3-104078-1  |
|        | 20.32 | 16       | 22.71 | 34         | 8-104078-0  |        | 20.32 | 16       | 22.71      | 34         | 3-104078-0  |
|        | 13.97 | 11       | 16.36 | 24         | 7-104078-9  |        | 13.97 | 11       | 16.36      | 24         | 2-104078-9  |
|        | 62.23 | 49       | 64.62 | 100        | 7-104078-8  |        | 62.23 | 49       | 64.62      | 100        | 2-104078-8  |
|        | 49.53 | 39       | 51.92 | 80         | 7-104078-7  |        | 49.53 | 39       | 51.92      | 80         | 2-104078-7  |
|        | 36.83 | 29       | 39.22 | 60         | 7-104078-6  |        | 36.83 | 29       | 39.22      | 60         | 2-104078-6  |
|        | 30.48 | 24       | 32.87 | 50         | 7-104078-5  |        | 30.48 | 24       | 32.87      | 50         | 2-104078-5  |
|        | 17.78 | 14       | 20.17 | 30         | 7-104078-4  |        | 17.78 | 14       | 20.17      | 30         | 2-104078-4  |
|        | 5.08  | 4        | 7.47  | 10         | 7-104078-3  |        | 5.08  | 4        | 7.47       | 10         | 2-104078-3  |
| 24.13  | 19    | 26.52    | 40    | 7-104078-2 | 24.13       | 19     | 26.52 | 40       | 2-104078-2 |            |             |
| 11.43  | 9     | 13.82    | 20    | 7-104078-1 | 11.43       | 9      | 13.82 | 20       | 2-104078-1 |            |             |
| 7      | 7.62  | 6        | 10.01 | 14         | 6-104078-4  | 1      | 7.62  | 6        | 10.01      | 14         | 1-104078-4  |
|        | 41.91 | 33       | 44.30 | 68         | 6-104078-3  |        | 41.91 | 33       | 44.30      | 68         | 1-104078-3  |
|        | 44.45 | 35       | 46.84 | 72         | 6-104078-2  |        | 44.45 | 35       | 46.84      | 72         | 1-104078-2  |
|        | 8.89  | 7        | 11.28 | 16         | 6-104078-1  |        | 8.89  | 7        | 11.28      | 16         | 1-104078-1  |
|        | 20.32 | 16       | 22.71 | 34         | 6-104078-0  |        | 20.32 | 16       | 22.71      | 34         | 1-104078-0  |
|        | 13.97 | 11       | 16.36 | 24         | 5-104078-9  |        | 13.97 | 11       | 16.36      | 24         | 104078-9    |
|        | 62.23 | 49       | 64.62 | 100        | 5-104078-8  |        | 62.23 | 49       | 64.62      | 100        | 104078-8    |
|        | 49.53 | 39       | 51.92 | 80         | 5-104078-7  |        | 49.53 | 39       | 51.92      | 80         | 104078-7    |
|        | 36.83 | 29       | 39.22 | 60         | 5-104078-6  |        | 36.83 | 29       | 39.22      | 60         | 104078-6    |
|        | 30.48 | 24       | 32.87 | 50         | 5-104078-5  |        | 30.48 | 24       | 32.87      | 50         | 104078-5    |
|        | 17.78 | 14       | 20.17 | 30         | 5-104078-4  |        | 17.78 | 14       | 20.17      | 30         | 104078-4    |
|        | 5.08  | 4        | 7.47  | 10         | 5-104078-3  |        | 5.08  | 4        | 7.47       | 10         | 104078-3    |
| 24.13  | 19    | 26.52    | 40    | 5-104078-2 | 24.13       | 19     | 26.52 | 40       | 104078-2   |            |             |
| 11.43  | 9     | 13.82    | 20    | 5-104078-1 | 11.43       | 9      | 13.82 | 20       | 104078-1   |            |             |

THIS DRAWING IS A CONTROLLED DOCUMENT.

|                |  |
|----------------|--|
| DIMENSIONS: mm | TOLERANCES UNLESS OTHERWISE SPECIFIED: |
| 0 PLC ±0.3     | 1 PLC ±0.13                            |
| 2 PLC ±0.13    | 3 PLC ±                                |
| 4 PLC ±        | ANGLES ±1°                             |
| MATERIAL       | FINISH                                 |

|                  |           |
|------------------|-----------|
| DWN              | 19APR2017 |
| CHK              | 21APR2017 |
| APVD             | 21APR2017 |
| PRODUCT SPEC     | 108-1093  |
| APPLICATION SPEC | 114-25031 |
| WEIGHT           | -         |
| CUSTOMER DRAWING |           |

**STE** TE Connectivity

NAME: RECEPTACLE ASSEMBLY, VERTICAL DOUBLE ROW, AMPMODU System 50

SIZE: A2 CAGE CODE: - DRAWING NO: C-104078 RESTRICTED TO: -

SCALE: 5:1 SHEET: 1 OF 1 REV: W

# Mouser Electronics

Authorized Distributor

Click to View Pricing, Inventory, Delivery & Lifecycle Information:

[TE Connectivity:](#)

[5-104078-4](#)