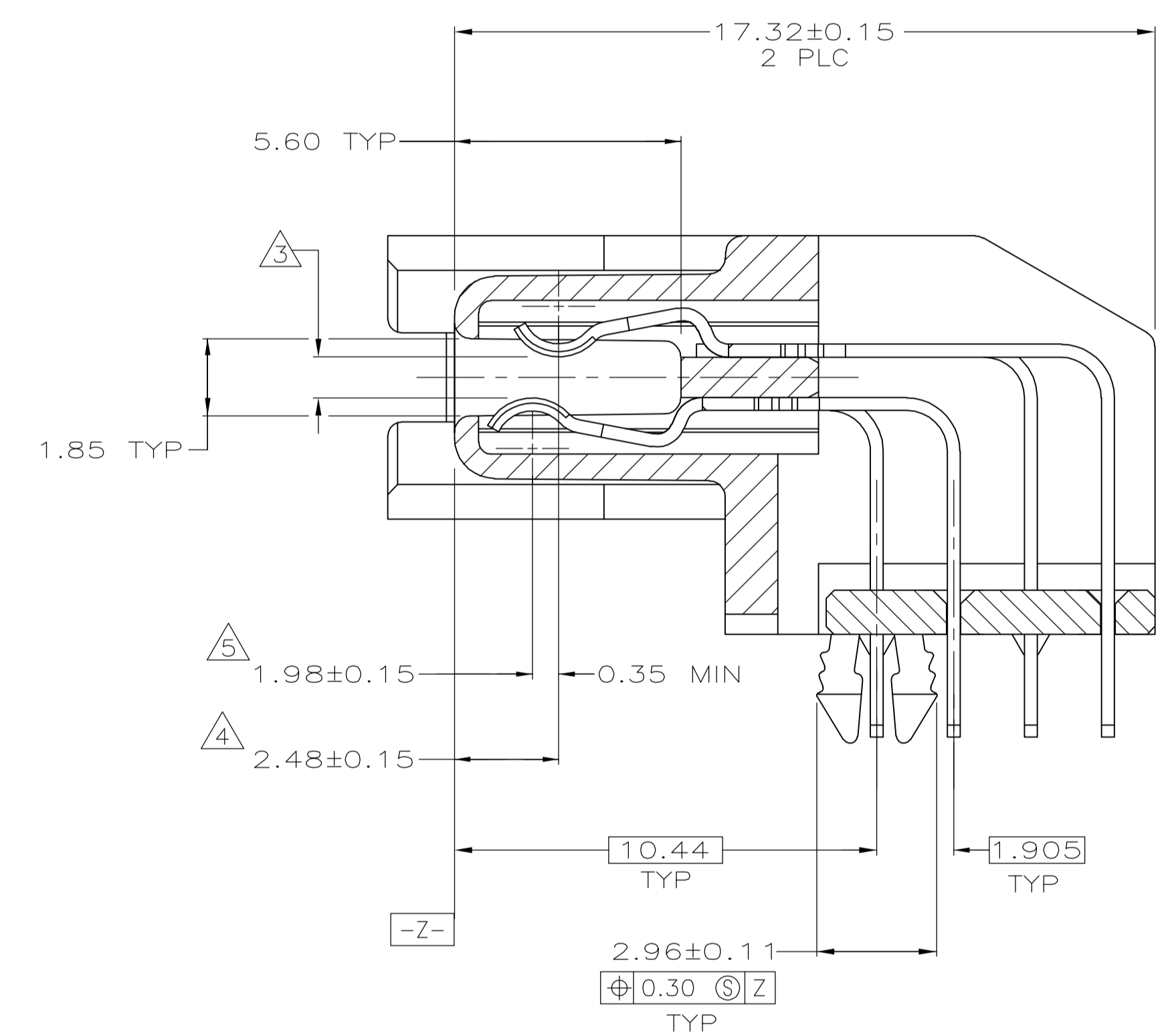


RECOMMENDED PC BOARD MOUNTING DIMENSIONS COMPONENT SIDE

- 1 HOUSING AND TINE PLATE: LCP, BLACK, UL 94V-0 RATED. TERMINALS: PHOSPHOR BRONZE. RETENTION LEGS: BRASS.
- 2 TERMINALS: 0.76µm MIN GOLD FOR A LENGTH 1.20 MIN STARTING 0.50 MAX FROM MATING END, 3.81µm MIN TIN-LEAD FOR A LENGTH OF 3.40 MIN FROM OPPOSITE END, BOTH OVER 1.27µm MIN NICKEL. RETENTION LEGS: 3.81µm MIN TIN-LEAD OVER 1.27µm MIN NICKEL.
- 3 CONNECTOR WILL ACCOMMODATE MATING PRINTED CIRCUIT BOARD OF 1.60±0.07.
- 4 CONTACTS 1-10,15,16 ARE POSITIONED AWAY FROM MATING FACE (SECOND MATE).
- 5 CONTACTS 11-14 AND 17-20 ARE POSITIONED TOWARD MATING FACE (FIRST MATE).
- 6 TERMINALS: 0.76µm MIN GOLD FOR A LENGTH 1.20 MIN STARTING 0.50 MAX FROM MATING END, 3.81µm MIN TIN FOR A LENGTH OF 3.40 MIN FROM OPPOSITE END, BOTH OVER 1.27µm MIN NICKEL. RETENTION LEGS: 3.81µm MIN TIN OVER 1.27µm MIN NICKEL.



SECTION B-B SCALE 8:1

YES	6	3.05	787653-4
YES	6	2.54	787653-3
NO	2	3.05	787653-2
NO	2	2.54	787653-1
LEAD FREE FINISH	D		PART NUMBER

THIS DRAWING IS A CONTROLLED DOCUMENT.		DIN B MCMMASTER 29MAR04	Tyco Electronics Corporation Harrisburg, Pa 17105-3608
DIMENSIONS: mm		CHK S. SHUEFY 29MAR04	
TOLERANCES UNLESS OTHERWISE SPECIFIED:		APVD B MCMMASTER 29MAR04	NAME
0 PLC ± -		PRODUCT SPEC	RECEPTACLE ASSEMBLY, RIGHT ANGLE, 20 POSITION, BOARD TO BOARD, .050, SERIES 1, CHAMP BLINDMATE
1 PLC ± -		APPLICATION SPEC	108-1548
2 PLC ± 0.10		SIZE	A1
3 PLC ± -		WEIGHT	00779
4 PLC ± -		CUSTOMER DRAWING	SCALE 4:1 SHEET 1 OF 1 REV H
ANGLES ± -			
FINISH SEE TABLE			

# Mouser Electronics

Authorized Distributor

Click to View Pricing, Inventory, Delivery & Lifecycle Information:

[TE Connectivity:](#)

[787653-3](#)