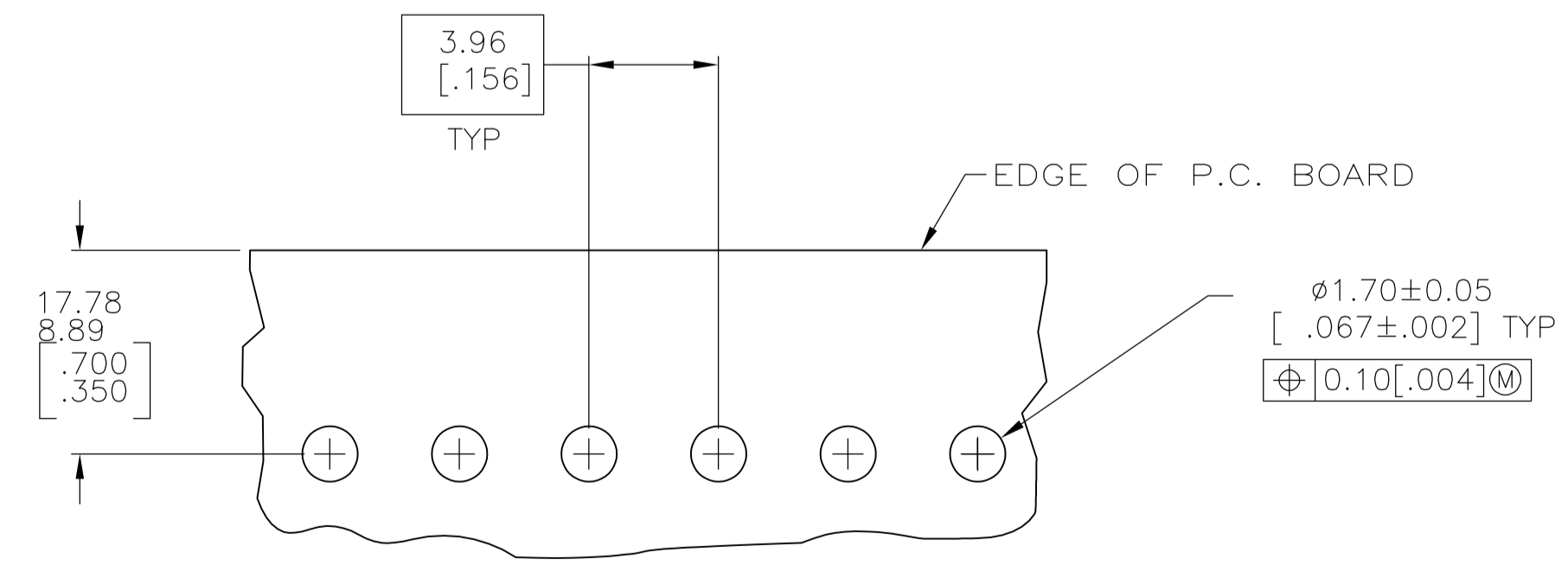
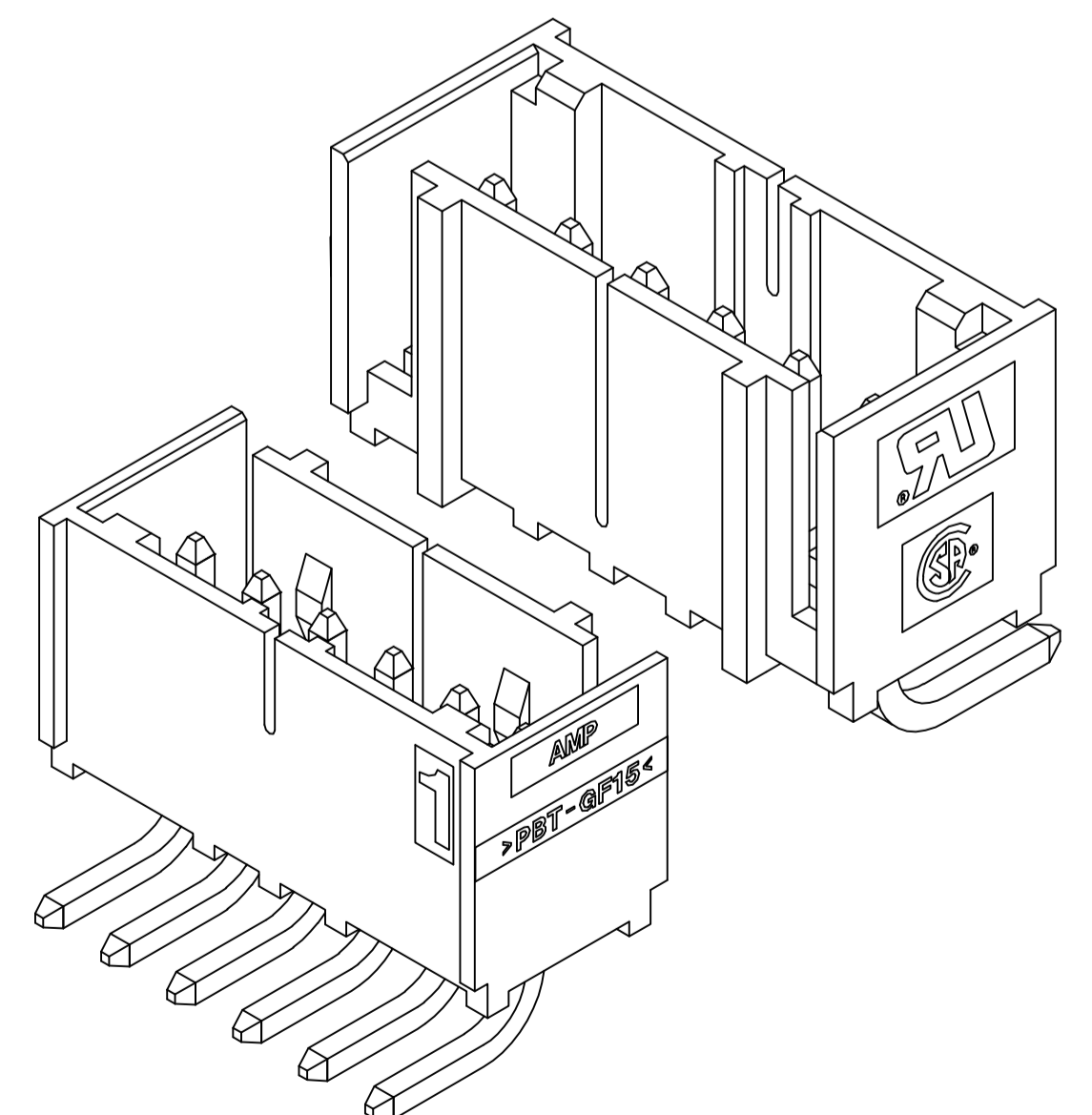
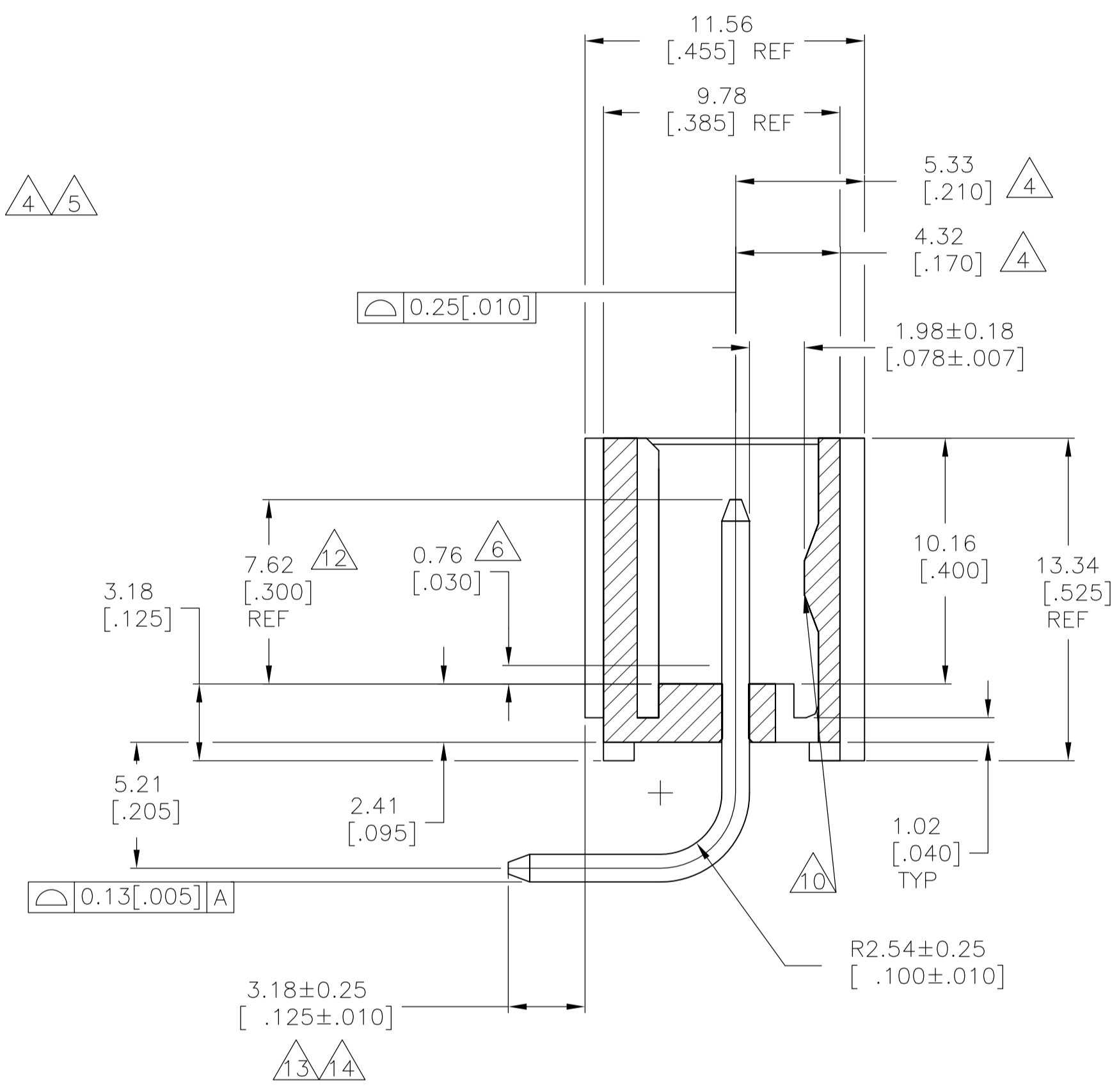
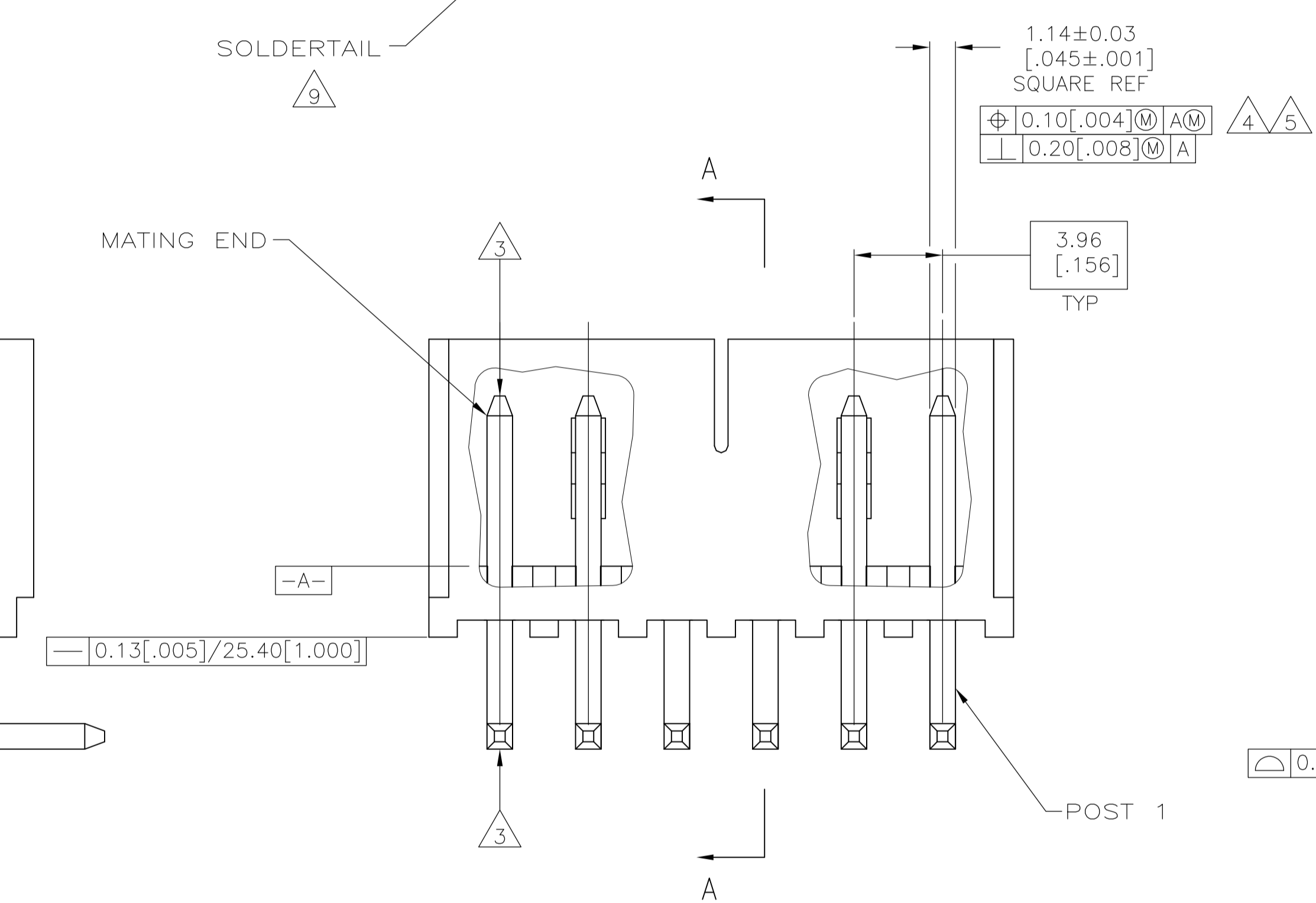
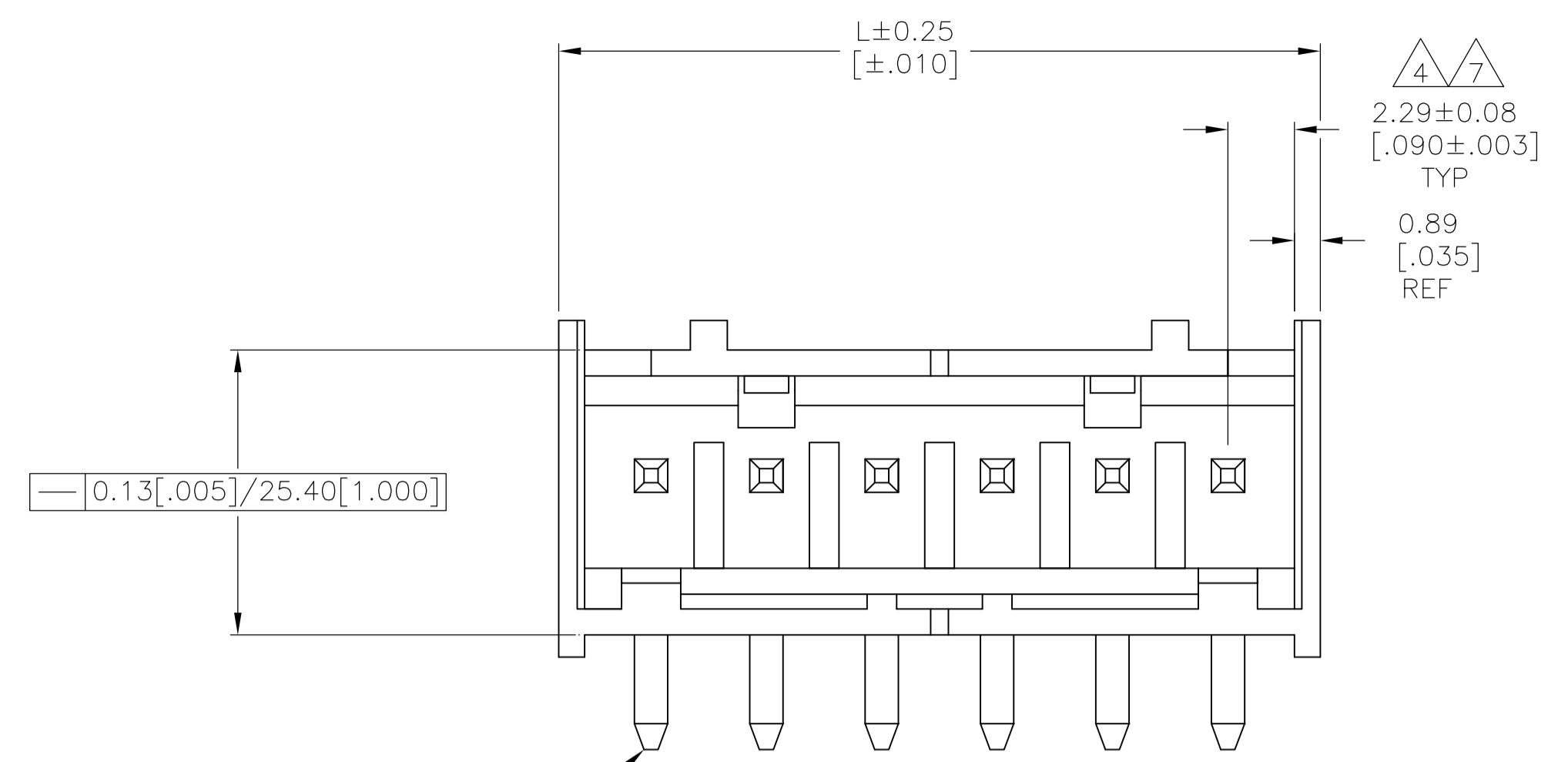


LOC		DIST		REVISIONS			
CM	0	REV	DATE	BY	CHK	APPV	
E1	REVISED PER ECR-15-007038		28SEP2015	NK	PQ		



- MATERIAL:
HOUSING - THERMOPLASTIC POLYESTER, GLASS FILLED, UL94-0.
POST - COPPER ALLOY
- FINISH:
HOUSING - BLACK
POST - SEE NOTES 12, 13 AND 14 FOR PLATING.

- 3 POST TO WITHSTAND 3LBS (16N) MIN AXIAL FORCE IN THIS DIRECTION WITHOUT DISLODGING.
- 4 APPLIES AT -A-.
- 5 APPLIES WHEN HEADER IS STRAIGHT.
- 6 PLASTIC PROJECTIONS PERMITTED IN THIS ZONE.
- 7 COORDINATE DIMENSIONS APPLIES FROM CENTER OF ACTUAL FEATURE.
- 8 SOLDER SIDE OF BOARD IS SHOWN.
- 9 POST SOLDERTAIL MUST COMPLY WITH AMP SOLDERABILITY SPEC 109-11-2.
- 10 LATCH DETENT FEATURE APPEARS 1 PLACE ON EACH END OF PART (MAX OF 2 PER PART) ON ALL POSITIONS 4 THRU 12. THE LATCH APPEARS ONLY ONE PLACE ON 2 & 3 POSITION PARTS.

11. DIMENSIONS IN BRACKETS ARE IN INCHES.
- 12 PLATING: GOLD PLATE AREA, 0.00038 [.000015] GOLD OR 0.00008 [.000003] MIN GOLD FLASH OVER 0.00030 [.000012] PALLADIUM NICKEL, PER TE CONNECTIVITY'S DISCRETION, ALL SIDES, OVER NICKEL UNDERPLATE, 0.00127 [.000050] MIN, ALL SIDES AND ENTIRE LENGTH OF POST.
 - 13 BRIGHT TIN LEAD (93/7) PLATE AREA 0.00381 - 0.0089 [.000150 - .000350] ALL FOUR SIDES, 3.18 [.125] MIN..
 - 14 MATTE TIN PLATE AREA 0.00381 - 0.0089 [.000150 - .000350] ALL FOUR SIDES, 3.18 [.125] MIN..
 - 15 OBSOLETE PARTS: OBSOLETE CIS STREAMLINING PER D.RENAUD/D.SINISI
 - 16 OBSOLETE PART NUMBER

REV	DATE	BY	CHK	APPV	DESCRIPTION
1	16 JUN 98	B. LEWIS	R. SWING	D. CLARK	MTA-156 SHROUDED HEADER ASSEMBLY, RIGHT ANGLE FRONT BEND .045 SQUARE POST, .000015 GOLD, W/O RETENTION PEG

REV	DATE	BY	CHK	APPV	DESCRIPTION
1	16 JUN 98	B. LEWIS	R. SWING	D. CLARK	MTA-156 SHROUDED HEADER ASSEMBLY, RIGHT ANGLE FRONT BEND .045 SQUARE POST, .000015 GOLD, W/O RETENTION PEG

REV	DATE	BY	CHK	APPV	DESCRIPTION
1	16 JUN 98	B. LEWIS	R. SWING	D. CLARK	MTA-156 SHROUDED HEADER ASSEMBLY, RIGHT ANGLE FRONT BEND .045 SQUARE POST, .000015 GOLD, W/O RETENTION PEG

- 647141-6 SHOWN
- 12 SUPERSEDED BY 3-647141-2
 - 13 SUPERSEDED BY 3-647141-1
 - 14 SUPERSEDED BY 3-647141-0
 - 15 SUPERSEDED BY 2-647141-9
 - 16 SUPERSEDED BY 2-647141-8
 - 17 SUPERSEDED BY 2-647141-7
 - 18 SUPERSEDED BY 2-647141-6
 - 19 SUPERSEDED BY 2-647141-5
 - 20 SUPERSEDED BY 2-647141-4
 - 21 SUPERSEDED BY 2-647141-3

DIMENSIONS:	TOLERANCES UNLESS OTHERWISE SPECIFIED:	PLATING	MM	IN	NO. OF POSN	PART NUMBER
0 PLC ± -	0.005					
1 PLC ± -	0.005					
2 PLC ± -	0.005					
3 PLC ± -	0.005					
4 PLC ± -	0.005					
ANGLES ± -	0.005					
MATERIAL	FINISH	SIZE	CAGE CODE	DRAWING NO	WEIGHT	RESTRICTED TO
		A1	00779	647141		
CUSTOMER DRAWING		SCALE	5:1	SHEET	1 of 1	REV E1

Mouser Electronics

Authorized Distributor

Click to View Pricing, Inventory, Delivery & Lifecycle Information:

[TE Connectivity:](#)

[2-647141-4](#)