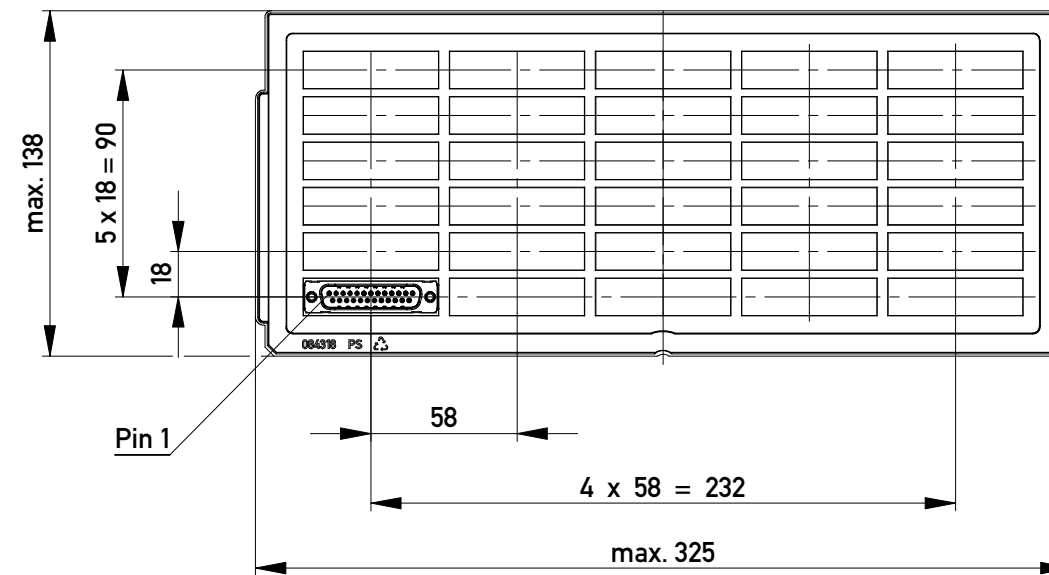
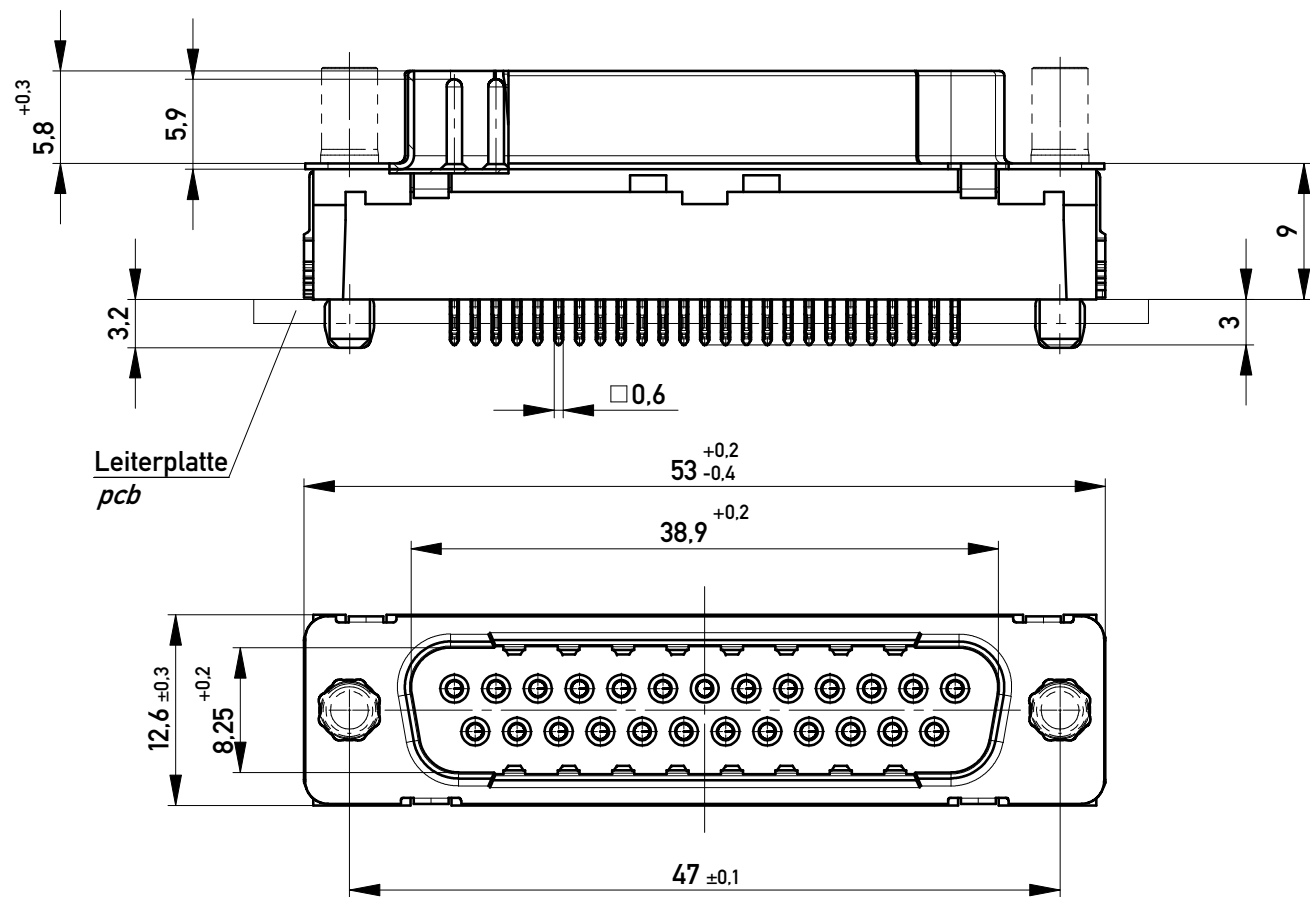


Verpackt in Tray  
Verpackungseinheit 30 St.  
tray packaging  
packaging unit 30 pcs

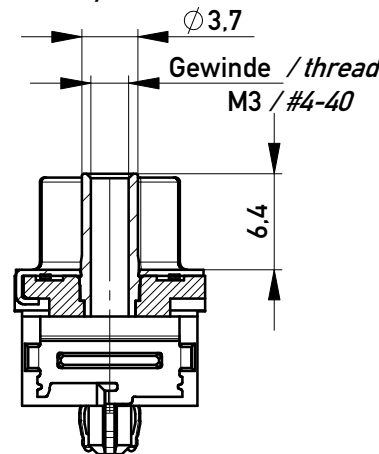
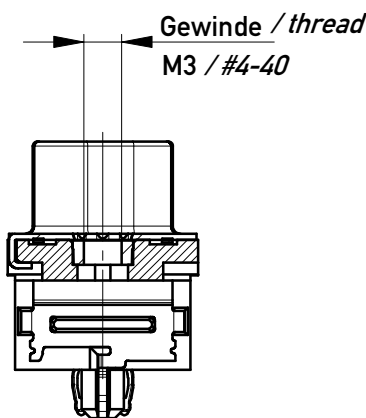
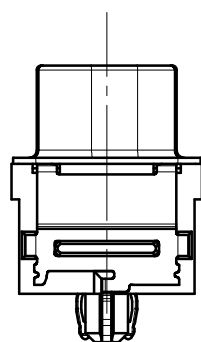


Sonstige Angaben siehe Zeichnung 204628 / Additional indications according to drawing 204628

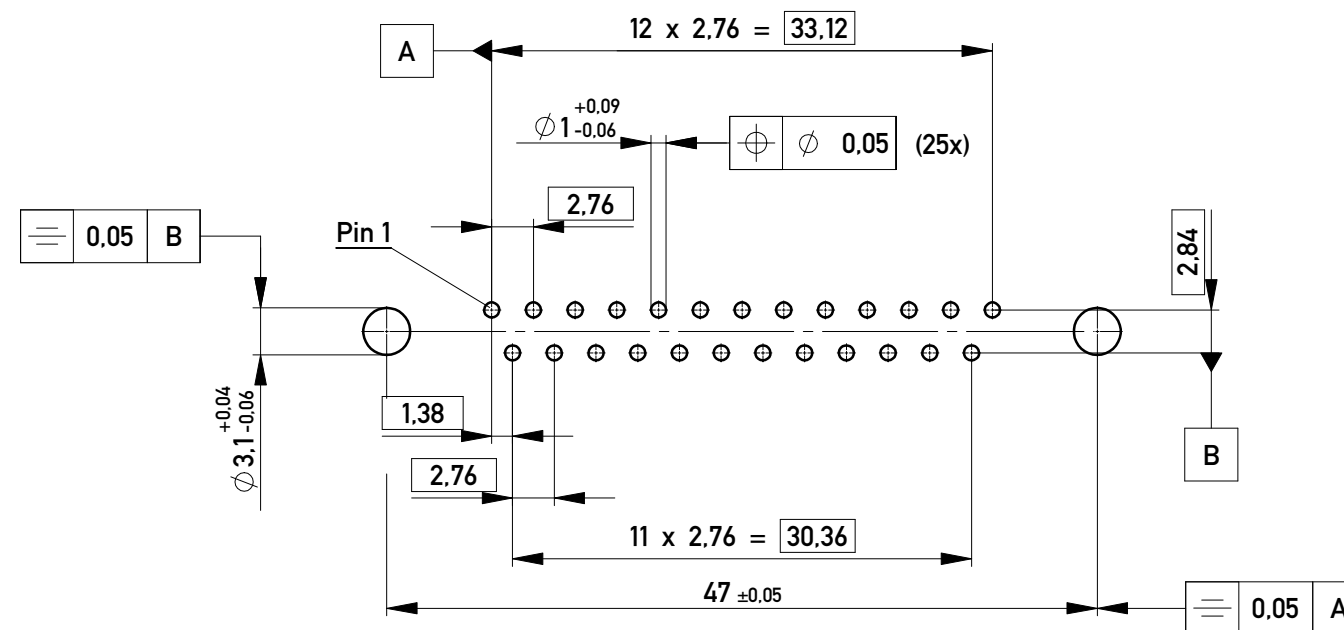
ohne / without

Mutter / nut  
max. Einschraubtiefe 6,4 mm  
thread depth max. 6,4 mm

Bolzen / bolt  
max. Einschraubtiefe 5,5 mm  
thread depth max. 5,5 mm



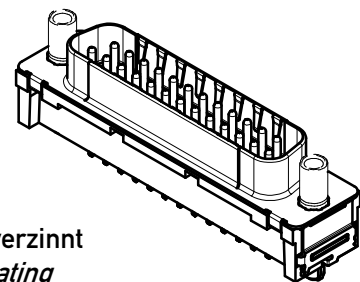
Layoutvorschlag:  
recommended layout:



Lochaufbau siehe ERNI-Spezifikation 164062 / hole design according to ERNI-specification 164062

Fehlende Masse und Angaben siehe DIN 41652 / Missing information and dimensions according to DIN 41652  
Sonstige Angaben siehe Fertigungsunterlagen / Additional indications according to the production documentation

M 1:1



Anschlussbereich verzinnt  
terminal area tin plating

Anforderungsstufe: 2  
class: 2

194907	X			
194911			#4-40	
194910			M3	
194909		#4-40		
194908		M3		
Ident.-Nr. part-no.	ohne without	Mutter thread	Bolzen bolt	Bemerkung remark

Copyright by ERNI Production GmbH & Co. KG  
Proprietary notice pursuant to ISO 16016 to be observed.

Information:	Tolerances	Scale	2:1
All rights reserved. Only for Information. To ensure that this is the latest version of this drawing, please contact one of the ERNI companies before using.	Subject to modification without prior notice. Drawing will not be updated.	Designation	TMC-P 25-EE-3,0-9,0-BA8 TMC-P 25-EE-3,0-9,0-type 8
c	04.02.2016	www.ERNI.com	144937
Index	Date	Class	TMCP
			I A3

# Mouser Electronics

Authorized Distributor

Click to View Pricing, Inventory, Delivery & Lifecycle Information:

[ERNI Electronics:](#)

[194908](#)