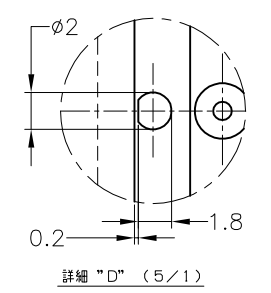
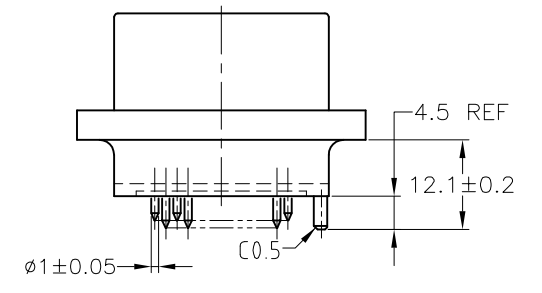
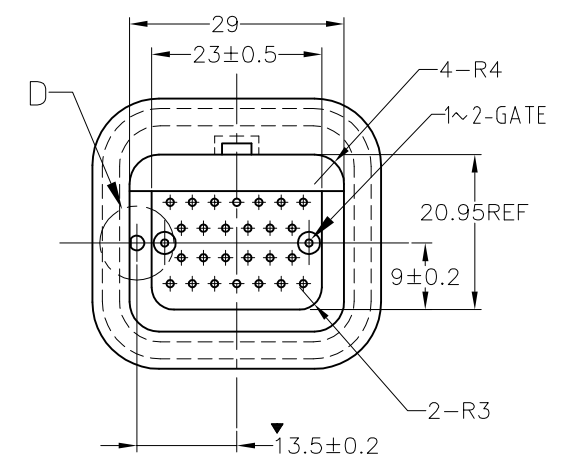
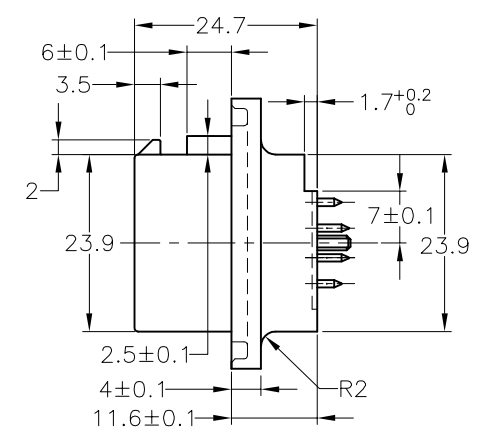
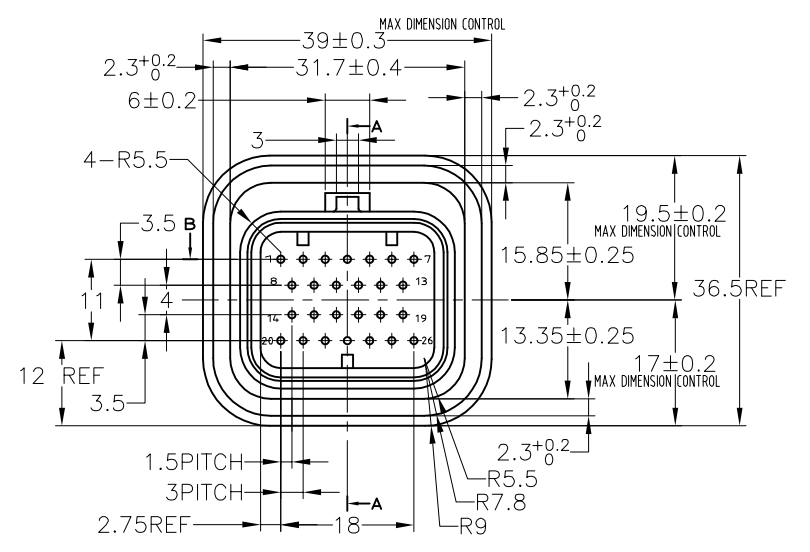
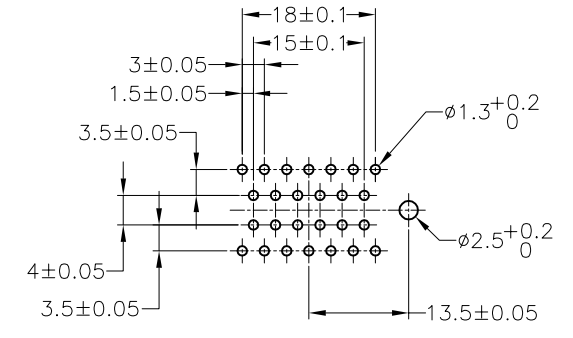
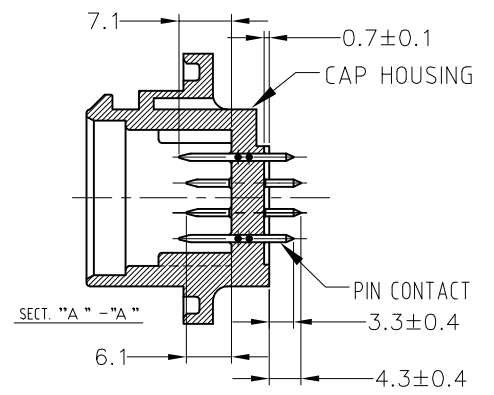
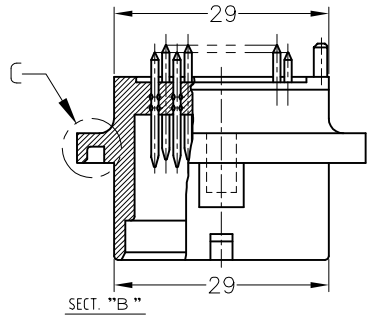
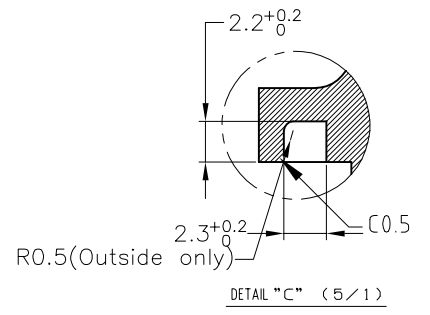


LOC		DIST		REVISIONS			
J		-		REV	DESCRIPTION	DATE	BY
				A2	REVISED	ECR-15-008111	01JUN2015 TS KB

(RECOMMENDED P.C.BORD DIMENSION, TOLERANCE±0.1)
 プリント基板推奨ホールパターン, 公差±0.1



NOTES, 1.GENERAL TOLERANCE : ± 0.3
 DRAFT ANGLE : ± 1 MAX*
 ALL UNSPECIFIED RADII : R0.5
 ALL UNSPECIFIED THICKNESS : 15
 2.MATERIAL
 CAP HOUSING : THERMOPLASTIC POLYESTER
 PIN CONTACT : BRSS
 3.CRITICAL DIMENSIONS:▼

REV	DESCRIPTION	DATE	BY	CHK	APPROV	REMARKS
SEE DWG 1473418	SEE DWG 1473418	-	-	-	-	SELECTIVE-TIN (MATTE) SELECTIVE GOLD × 26 6473418-2
SEE DWG 1473418	SEE DWG 1473418	-	-	-	-	SELECTIVE-TIN (MATTE) SELECTIVE GOLD × 26 6473418-1
3-1437290-7	-	-	-	-	-	SELECTIVE-TIN (MATTE) SELECTIVE GOLD × 26 6437288-6
OBSOLETE	SEE DWG 1473418	SEE DWG 1473418	-	-	-	TIN-LEAD SELECTIVE GOLD × 26 1473418-2
OBSOLETE	SEE DWG 1473418	SEE DWG 1473418	-	-	-	TIN-LEAD SELECTIVE GOLD × 26 1473418-1
OBSOLETE	3-1437290-7	-	3900168-26	-	-	TIN-LEAD SELECTIVE GOLD × 26 1437288-6
MATING PLUG ASSEMBLY 嵌合相手	REMARKS 備考	OLD PART NUMBER 旧型番	CONTACT FINISH 半田付け側		CONTACT SEDE 接触部側	PART NUMBER 型番
			CONTACT FINISH コンタクト仕上			

THIS DRAWING IS A CONTROLLED DOCUMENT.

DWG: A YAMAGUCHI 24SEP02
 CHK: K. BETSUI 24SEP02
 APPO: K. BETSUI 24SEP02

TE Connectivity

WATER SEALED CONNECTOR
 CAP HOUSING 26POS ASSEMBLY

108-78140

SIZE: A1 CAGE CODE: 1437288-6 DRAWING NO: 1437288-6 RESTRICTED TO: -

CUSTOMER DRAWING SCALE: 2:1 SHEET: 1 OF 1 REV: A2

Mouser Electronics

Authorized Distributor

Click to View Pricing, Inventory, Delivery & Lifecycle Information:

[TE Connectivity:](#)

[6473418-1](#)