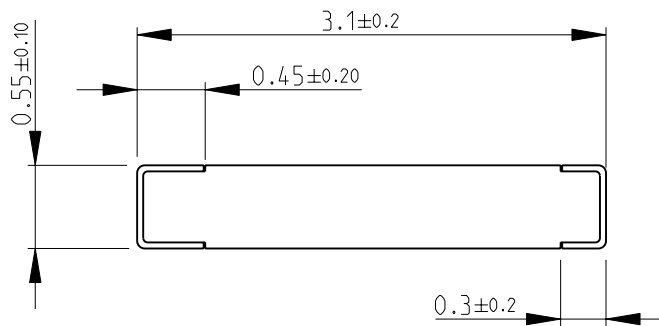
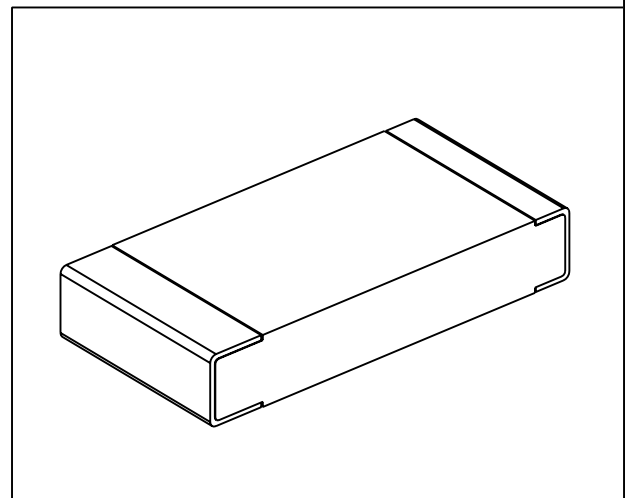


LOC	DIST	REVISIONS			
P	LTR	DESCRIPTION	DATE	DWN	APVD
E	B	BA	NEW RELEASE	29-Sep-08	SM St.P

FOR FURTHER INFORMATION SEE DATA SHEET FOR
 CPF SERIES-THIN FILM PRECISION CHIP RESISTORS



RoHS Compliant



2008

RELEASED FOR PUBLICATION

THIS DRAWING IS UNPUBLISHED.

© COPYRIGHT 2008 BY TYCO ELECTRONICS CORPORATION. ALL RIGHTS RESERVED.

DIMENSIONS: mm	DWN	SUBHASH.M	29-Sep-08	MATERIAL	-	FINISH	-
	CHK	PRAKASH.S	29-Sep-08	Tyco Electronics Tyco Electronics Corporation Dorcan, Swindon, SN3 5HH	NAME THIN FILM PRECISION CHIP RESISTORS SERIES CPF 1206		
TOLERANCES UNLESS OTHERWISE SPECIFIED:	APVD	STEPHEN.P	29-Sep-08				
0 PLC ±0.2	PRODUCT SPEC	-	-	SIZE	A 4	CAGE CODE	00779
1 PLC ±0.1	APPLICATION SPEC	-	-	DRAWING NO	C= 1879227		RESTRICTED TO
2 PLC ±-	WEIGHT	-	-	CUSTOMER DRAWING			SCALE
3 PLC ±-							20:1
4 PLC ±-							SHEET
ANGLES ±5°							1 OF 1
							REV
							BA

Mouser Electronics

Authorized Distributor

Click to View Pricing, Inventory, Delivery & Lifecycle Information:

[TE Connectivity:](#)

[CPF1206B226KE1](#)