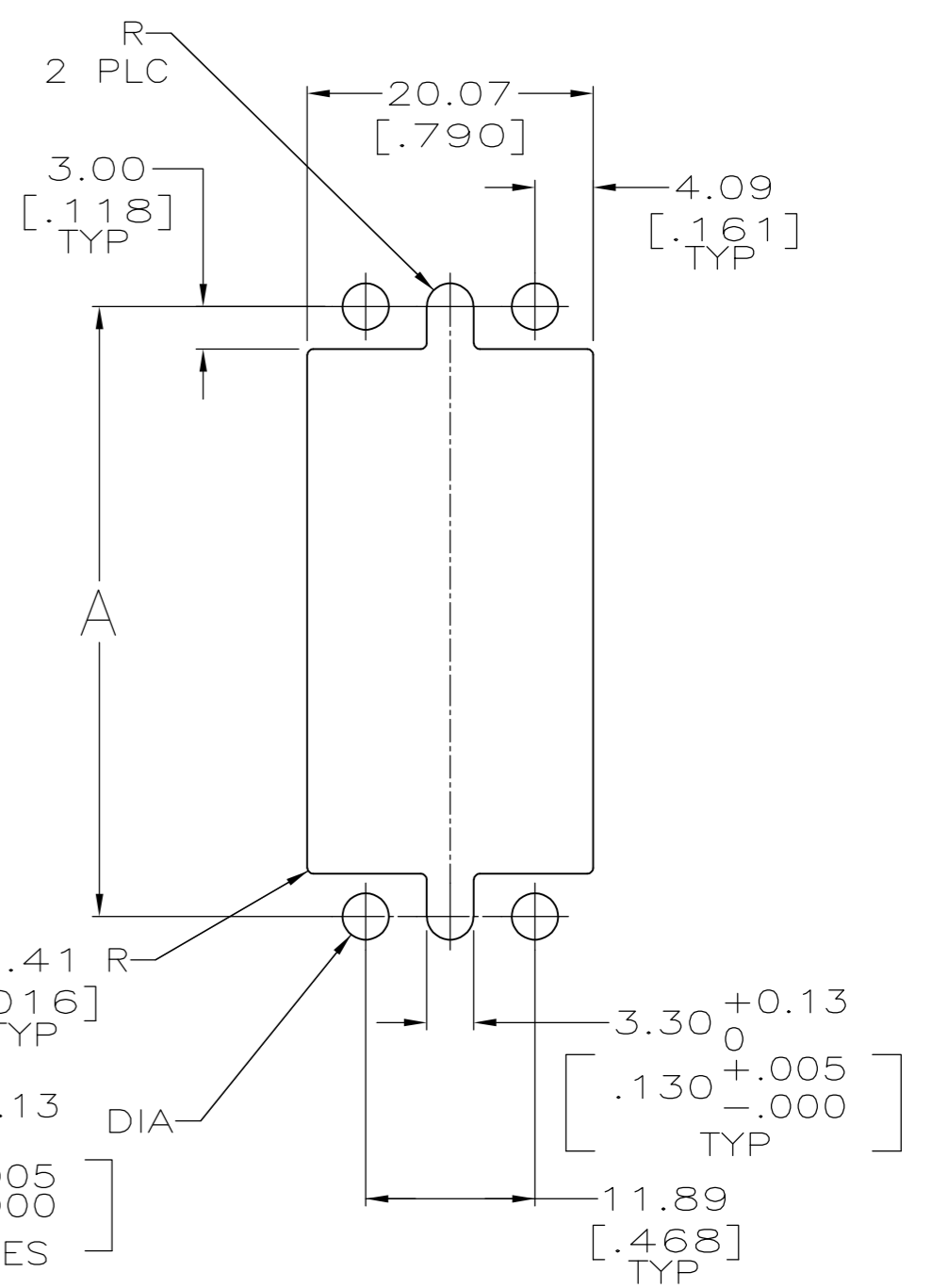
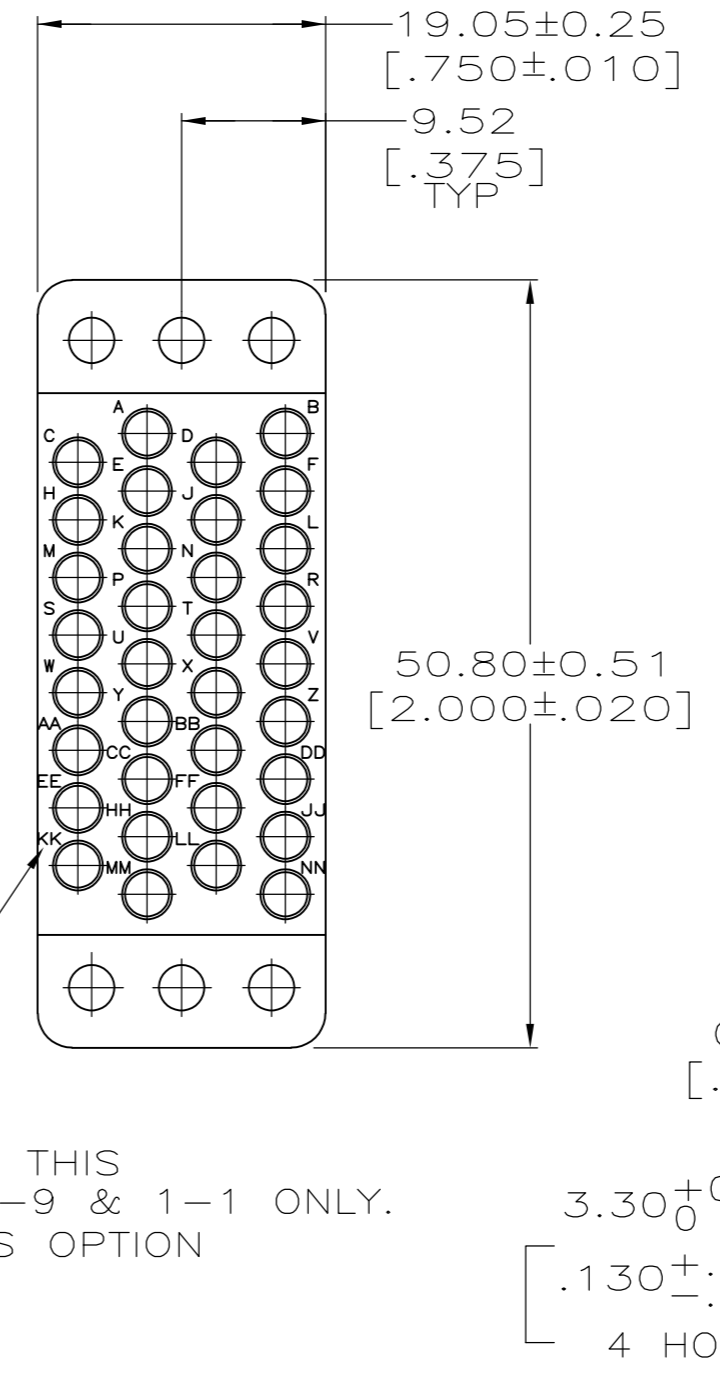
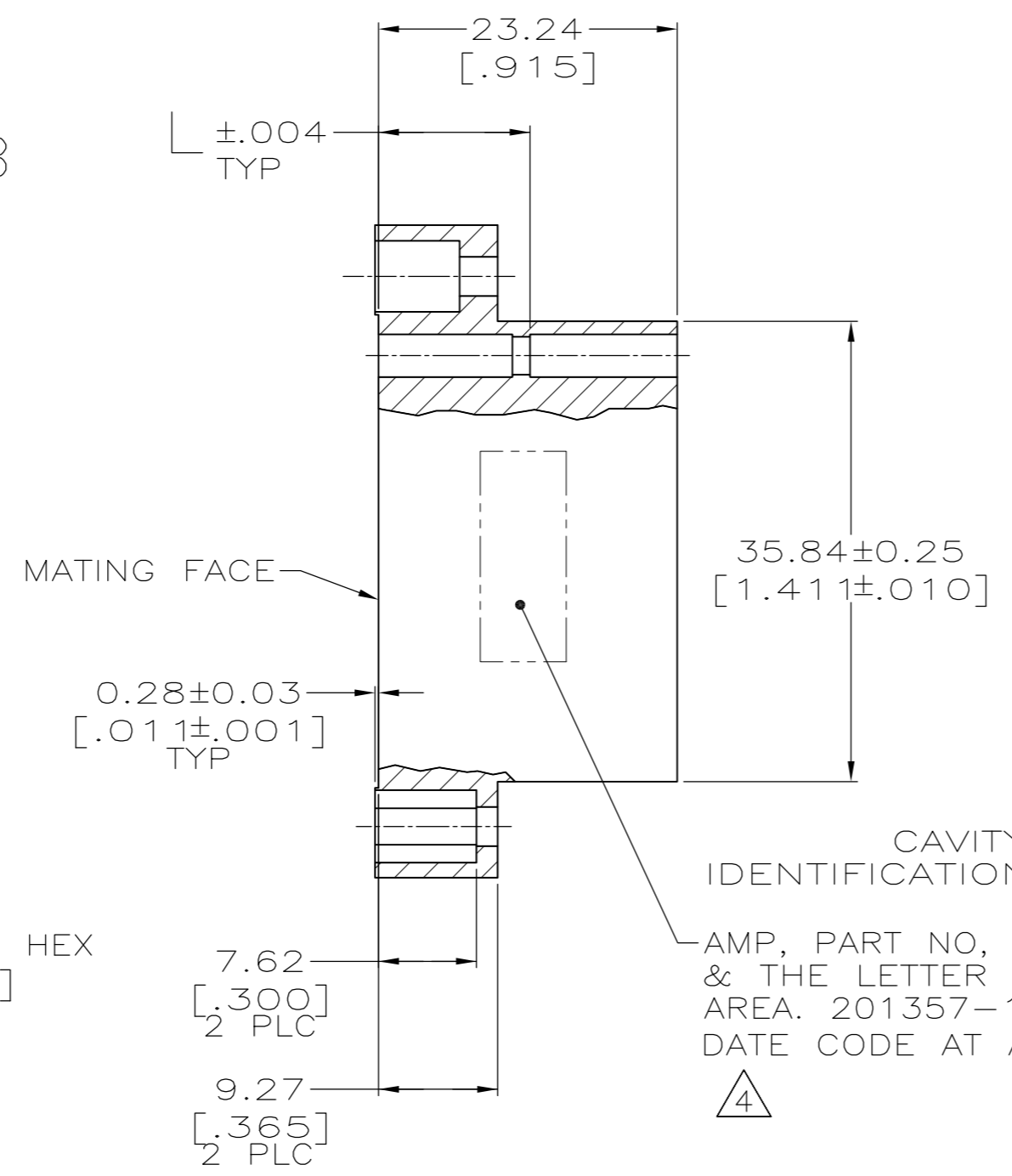
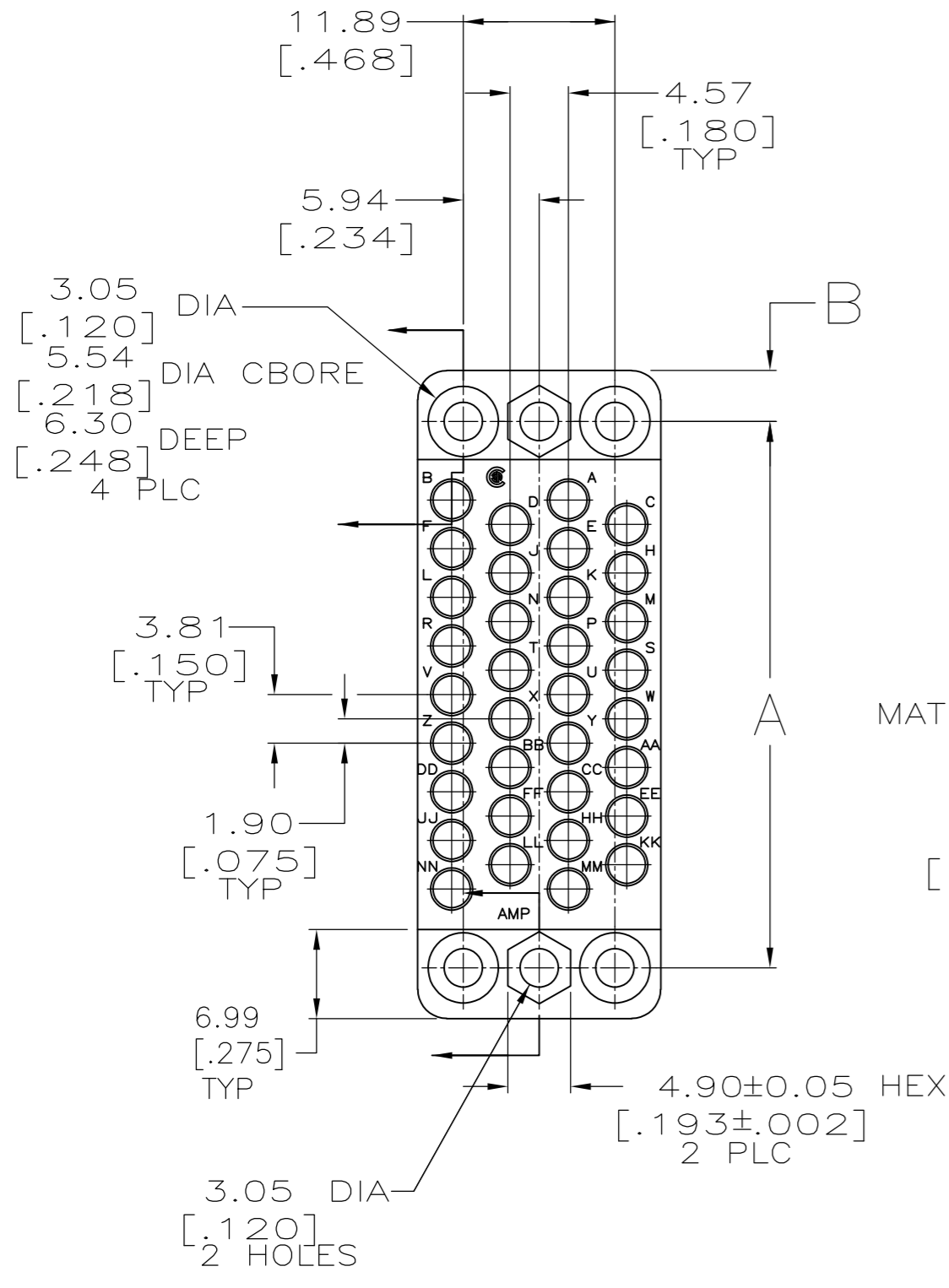


THIS DRAWING IS UNPUBLISHED. RELEASED FOR PUBLICATION
 © COPYRIGHT - By - ALL RIGHTS RESERVED.

LOC		DIST		REVISIONS			
P	LTR	DESCRIPTION		DATE	DWN	APVD	
FT	0	T3	REVISED PER ECO-13-008672	30AUG2013	KH	DR	



RECOMMENDED PANEL CUTOUT

- 1 PHENOLIC, BLACK.
- 2 DIALLYL PHTHALATE, BLUE.
- 3 MATES WITH BLOCK 200838 & ACCOMMODATES TYPE II OR TYPE III #16 PIN OR SOCKET CONTACTS. EXCEPT FOR 201357-1, WHICH ACCEPTS ONLY PIN CONTACTS.
- 4 FOR 201357-9, KS 21303 L9 MARKED IN ADDITION TO THE AMP PART NO.

14.07 [.554]	3.99 [.157]	42.82 [1.686]	1	1-201357-1
14.07 [.554]	3.99 [.157]	42.82 [1.686]	1	1-201357-0
14.07 [.554]	3.86 [.152]	43.08 [1.696]	2	201357-9
14.07 [.554]	3.86 [.152]	43.08 [1.696]	2	201357-3
11.79 [.464]	3.99 [.157]	42.82 [1.686]	1	201357-1
L	B	A	MATERIAL	PART NUMBER

OBSOLETE

THIS DRAWING IS A CONTROLLED DOCUMENT.		DWN 01/31/92	TE Connectivity	
DIMENSIONS: mm [INCHES]		CHK 2-4-92		
TOLERANCES UNLESS OTHERWISE SPECIFIED:		APVD -	NAME	
0 PLC ± -		PRODUCT SPEC -	34 POSITION MINIATURE RECTANGULAR MALE BLOCK, M SERIES	
1 PLC ± -		APPLICATION SPEC -	SIZE A2	CAGE CODE 00779
2 PLC ± 0.13 [.005]		WEIGHT -	DRAWING NO C=201357	RESTRICTED TO -
3 PLC ± -		CUSTOMER DRAWING	SCALE 2:1	SHEET 1 of 1
4 PLC ± -			REV T3	
ANGLES ± -				
FINISH -				
MATERIAL SEE TABLE				

Mouser Electronics

Authorized Distributor

Click to View Pricing, Inventory, Delivery & Lifecycle Information:

[TE Connectivity:](#)

[201357-1](#)