

CN Series Double Pole Power Rocker Switches

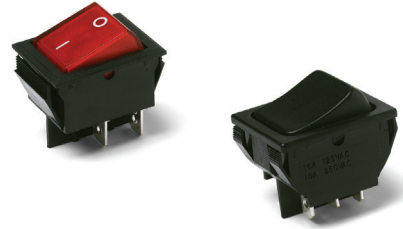
Features/Benefits

- Illuminated versions available
- Multiple actuator and termination styles
- Robust design
- Custom version upon request
- RoHS compliant



Typical Applications

- Appliances
- Office equipment
- Computers and peripherals
- Off-road vehicles
- Industrial machines
- HVAC units
- Transportation



Specifications

CONTACT RATING:

See table for Q and QA ratings on the last page of this series.

ELECTRICAL LIFE: 10,000 make and break cycles at full load.

INSULATION RESISTANCE: 10⁸ Ω min.

DIELECTRIC STRENGTH: 1,500 VRMS @ sea level.

OPERATING TEMPERATURE: -20°C to +85°C

HOUSING AND ACTUATOR: 6/6 nylon (UL94V-2), black, matte finish.

ILLUMINATED ACTUATOR: Polycarbonate, matte finish.

CENTER CONTACTS: Silver plated, copper alloy.

END CONTACTS: Silver plated Ag₂SuO₂InO₃.

ALL TERMINALS: Silver plated, copper alloy.

Note: Specifications and materials listed above are for switches with standard options. For information on specific and custom switches, consult Customer Service Center.

Materials

Build-A-Switch

To order, simply select desired option from each category and place in the appropriate box. Available options are shown and described on pages G-99 through G-101. For additional options not shown in catalog, consult Customer Service Center.

<div style="border: 1px solid black; width: 100px; height: 20px; display: inline-block;"></div>		<div style="border: 1px solid black; width: 40px; height: 20px; display: inline-block;"></div>		<div style="border: 1px solid black; width: 30px; height: 20px; display: inline-block;"></div>		<div style="border: 1px solid black; width: 40px; height: 20px; display: inline-block;"></div>		<div style="border: 1px solid black; width: 40px; height: 20px; display: inline-block;"></div>		<div style="border: 1px solid black; width: 40px; height: 20px; display: inline-block;"></div>		<div style="border: 1px solid black; width: 40px; height: 20px; display: inline-block;"></div>		<div style="border: 1px solid black; width: 40px; height: 20px; display: inline-block;"></div>	
Switch Function CN201 DPDT On-None-On CN202 DPST On-None-Off CN22 * DPST On-None-Off		Actuator J1 Rocker J3 Illuminated rocker J6 Rocker J8 Illuminated rocker		Actuator Color 2 Black 1 White 3 Red R Red, illuminated A Amber, illuminated G Green, illuminated		Mounting Style/Color S2 Snap-in, black S4 Snap-in, black S1 Snap-in, white S3 Snap-in, white		Termination 15 .187" quick connect 05 .250" quick connect		Actuator Marking (NONE) No marking D ON-OFF H "O I" - international ON-OFF P "O -" international ON-OFF		Contact Rating Q Silver QA Silver (with HP rating)		Lamp Rating (NONE) No lamp 7 125 VAC neon 8 250 VAC neon	

* CN22 - for switches with both marking and illumination



Dimensions are shown: Inches (mm)
Specifications and dimensions subject to change



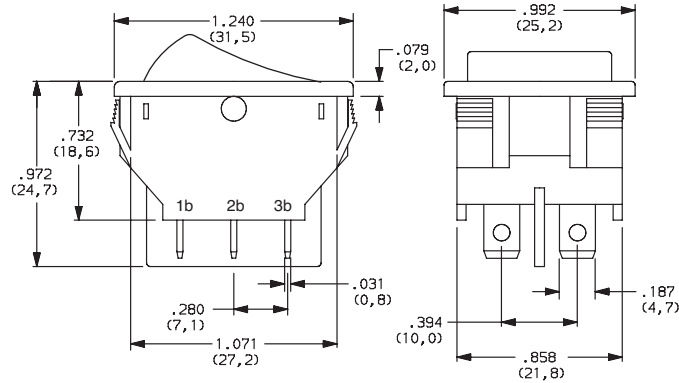
CN Series Double Pole Power Rocker Switches

SWITCH FUNCTION



NO. POLES	MODEL NO.	SWITCH FUNCTION			CONNECTED TERMINALS			SCHEMATIC	
		Pos. 1	Pos. 2	Pos. 3	Pos. 1	Pos. 2	Pos. 3		
		C&K marking on opposite side			C&K marking on opposite side				
DP	CN201	ON	NONE	ON	2-1 4-5	N/A	2-3 6-5		
	CN202	ON	NONE	OFF				OPEN	
	CN22 *	ON	NONE	OFF					 For Illuminated Version

* CN22 - for switches with both marking and illumination

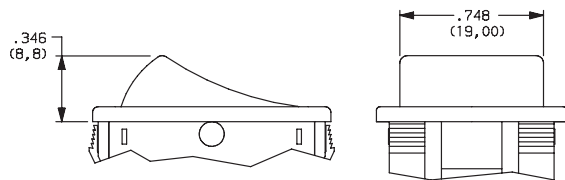


Shown in Pos. 1

ACTUATOR

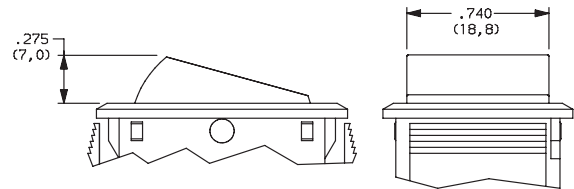


- J1** ROCKER
- J3** ILLUMINATED ROCKER



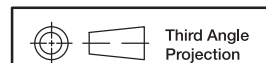
NOTE: J1 & J3 actuators available with Q contact rating only.
J3 actuator available with CN202 & CN22 switch function only.

- J6** ROCKER
- J8** ILLUMINATED ROCKER



NOTE: J6 & J8 actuators available with QA contact rating only.
J6 actuator available with CN201 & CN202 switch functions,
J8 actuator available with CN202 & CN22 switch function only.

Rocker



Third Angle
Projection

Dimensions are shown: Inches (mm)
Specifications and dimensions subject to change

C&K

CN Series Double Pole Power Rocker Switches

ACTUATOR COLOR

OPTION CODE	ACTUATOR COLOR
2	BLACK
1	WHITE
3	RED
R	RED, ILLUMINATED
A	AMBER, ILLUMINATED
G	GREEN, ILLUMINATED

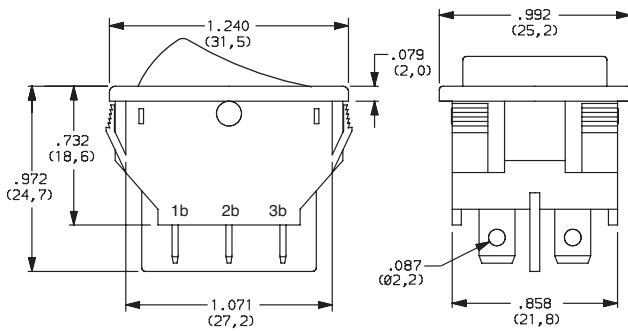
MOUNTING STYLE/COLOR

S2 SNAP-IN, BLACK

S1 SNAP-IN, WHITE

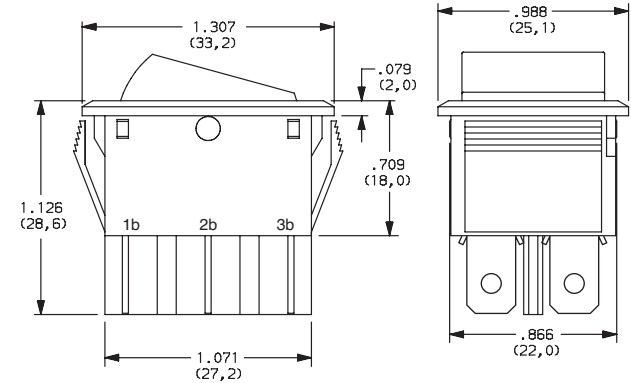
S4 SNAP-IN, BLACK

S3 SNAP-IN, WHITE



NOTE: Available with 15 termination and Q contact rating only.

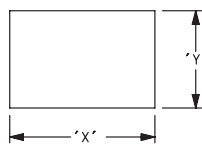
Shown in Pos. 1



NOTE: Available with 05 termination and QA contact rating only.

Shown in Pos. 1

PANEL MOUNTING

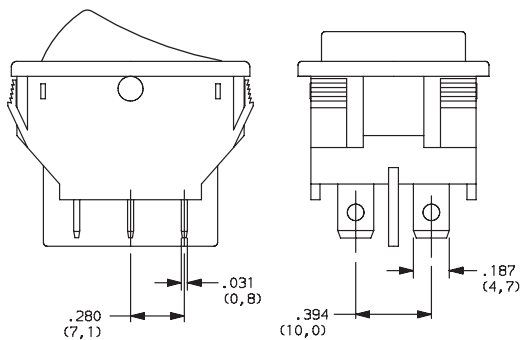


PANEL THICKNESS	"X"	"Y"
0.030-0.049 (0,75-1,25)	1.190-.004 (30,2-0,1)	0.874+.004 (22,2+0,1)
0.049-0.079 (1,25-2,0)	1.197-.004 (30,4-0,1)	0.874+.004 (22,2+0,1)
0.079-0.118 (2,0-3,0)	1.213-.004 (30,8-0,1)	0.874+.004 (22,2+0,1)

TERMINATION

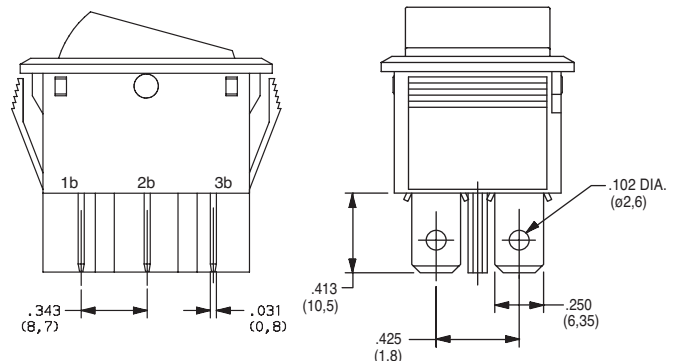
15 .187" QUICK CONNECT

05 .250" QUICK CONNECT



NOTE: Available with S1 & S2 mounting style and Q contact rating only.

Shown in Pos. 1



NOTE: Available with S3 & S4 mounting styles and QA contact rating, CN201 & CN202 switch functions only.

Shown in Pos. 1



Dimensions are shown: Inches (mm)
Specifications and dimensions subject to change

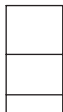


CN Series Double Pole Power Rocker Switches

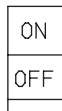
ACTUATOR MARKING



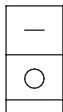
NONE NO MARKING



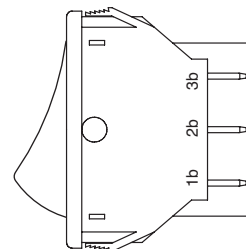
D ON-OFF



H 0 I



P 0 -



NOTE: Orientation of actuator marking and terminals.
Shown in Pos. 1

CONTACT MATERIAL



OPTION CODE	CONTACT AND TERMINAL MATERIAL	RATINGS	
Q	SILVER	POWER	16A @ 125C 1/3 HP @ 125 V AC
QA			10A @ 250 V AC 1/2HP @ 250 V AC
			16A @ 125 VAC, 1/8 HP @ 125 V AC; 10 A @ 250 VAC, 1/3 HP @ 250 V AC

* Note: See Technical Data section of this catalog for RoHS compliant and compatible definitions and specifications.



LAMP RATING

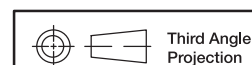


(NONE) NO LAMP

7 125 VAC 33kΩ NEON

8 250 VAC 150kΩ NEON

NOTE: Lamp rating for J3 & J8 actuator options.



Dimensions are shown: Inches (mm)
Specifications and dimensions subject to change

Mouser Electronics

Authorized Distributor

Click to View Pricing, Inventory, Delivery & Lifecycle Information:

C&K Switches:

[CN201J12S215Q](#) [CN201J11S215Q](#) [CN201J11S115Q](#) [CN202J3GS215Q8](#) [CN202J12S215HQ](#) [CN202J3AS215Q8](#)
[CN202J12S215Q](#) [CN202J11S215Q](#) [CN202J12S215PQ](#) [CN202J3AS215Q7](#) [CN202J3RS215Q7](#) [CN202J12S215DQ](#)
[CN202J3RS215Q8](#) [CN202J11S215PQ](#) [CN202J3GS215Q7](#) [CN202J62S405QA](#) [CN22J8GS405PQA7](#)
[CN22J8RS405PQA7](#) [CN201J62S405QA](#) [CN202J11S115PQ](#) [CN202J61S305PQA](#) [CN22J3RS215HQ8](#)
[CN22J3RS215PQ8](#) [CN22J8AS405HQA8](#) [CN22J8GS305HQA7](#) [CN22J8GS305HQA8](#) [CN22J8GS405HQA8](#)
[CN22J8GS405PQA8](#) [CN202J62S405PQA](#) [CN22J8GS405HQA7](#)