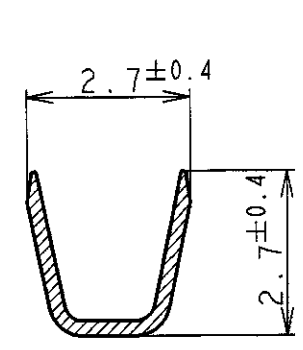
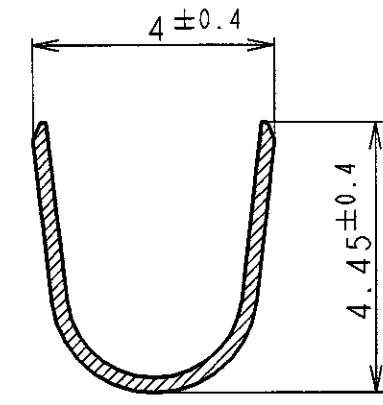


THIS DRAWING IS UNPUBLISHED. RELEASED FOR PUBLICATION .19  
 BY AMP INCORPORATED. ALL RIGHTS RESERVED.

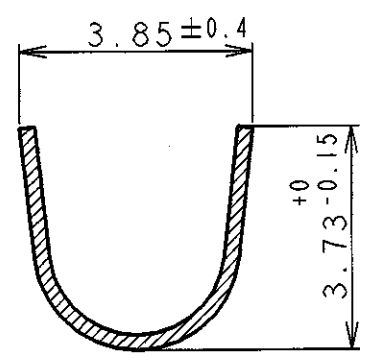
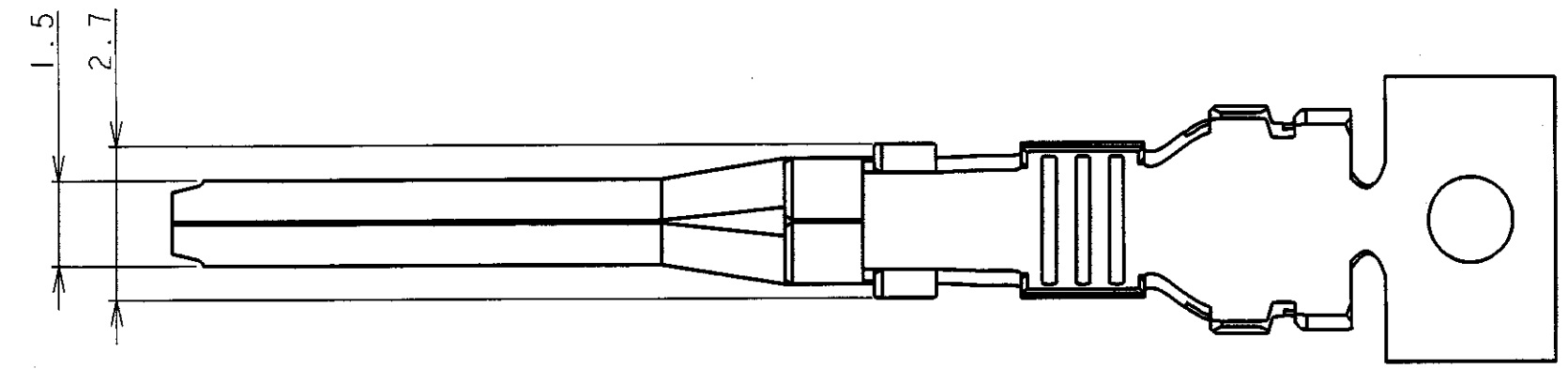
LOC		DIST		REVISIONS				
P	LTR	DESCRIPTION		ECN	DATE	DWN	APVD	
-	-	C	REVISED	FJ00-0401-99	9.MAR'99	CWL	[Signature]	



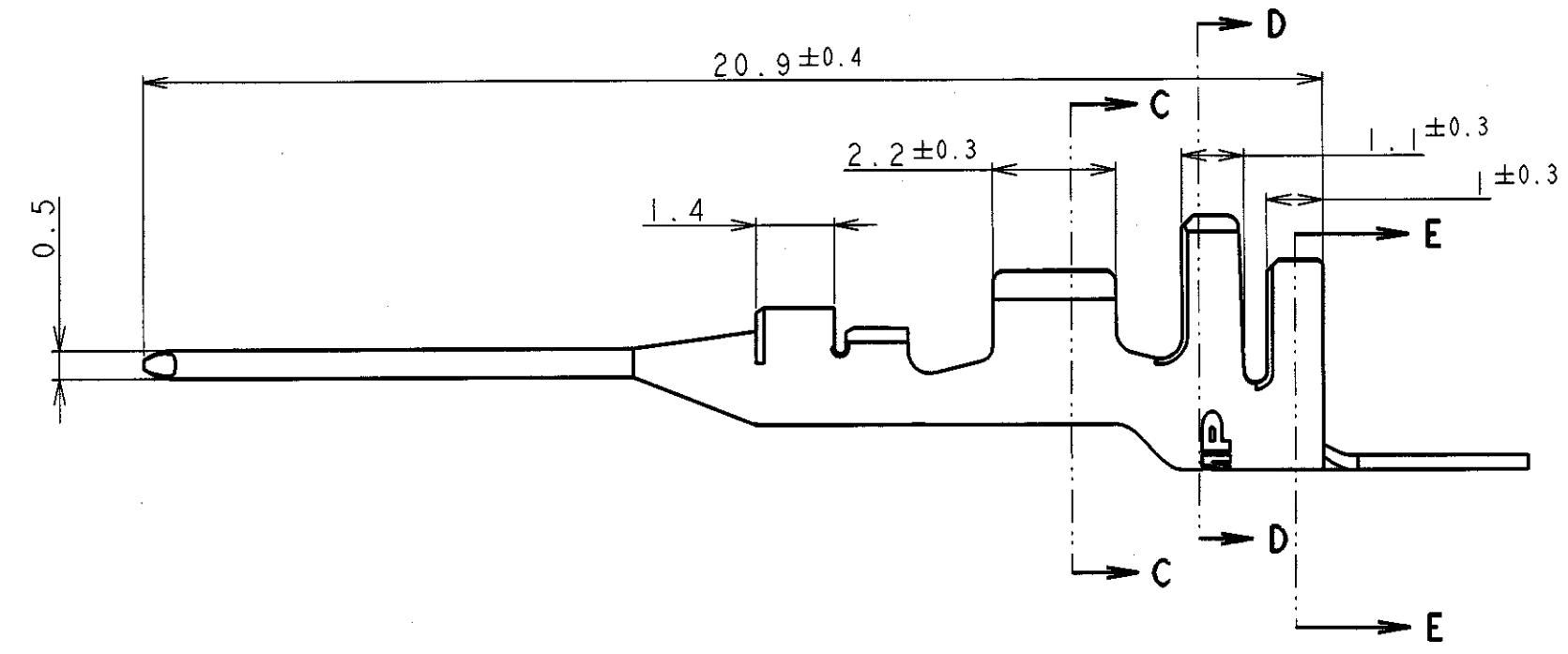
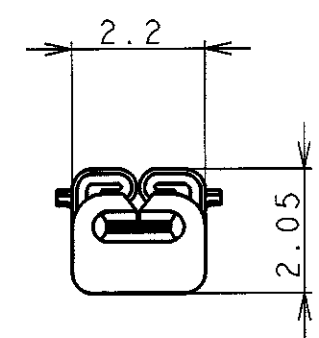
SECT 断面 C-C



SECT 断面 D-D



SECT 断面 E-E



NOTES:  
 1. APPLICABLE SPECIFICATIONS:  
 PRODUCT SPEC: 108-5616  
 APPLICATION SPEC: 114-5256

1123910-1  
 PART NUMBER

WIRE RANGE 絶合電線断面積	0.51-1.38mm <sup>2</sup> (AWG #20-#16)	INSULATION DIA 被覆外径	φ1.8-3.1mm
-----------------------	---	------------------------	------------

THIS DRAWING IS A CONTROLLED DOCUMENT FOR AMP INCORPORATED. IT IS SUBJECT TO CHANGE AND THE CONTROLLING ENGINEERING ORGANIZATION SHOULD BE CONTACTED FOR THE LATEST REVISION.		DWN W. L. CHOO 10. JUN '98	<b>AMP</b> 日本イー・エム・ピー株式会社 Kawasaki, Japan	
DIMENSIONS: 単位: 英 mm	TOLERANCES UNLESS OTHERWISE SPECIFIED: 一般公差 10 ≥ : ±0.2 30 ≥ > 10 : ±0.25 100 ≥ > 30 : ±0.3 ANGLE : ±3°	CHK J. TANIGAWA 11. JUN '98	NAME 名称 POWER TAB CONTACT FOR AMP MINI CT LATTICE CONNECTOR	
MATERIAL 材料 COPPER ALLOY	FINISH 仕上 PRE-TIN	APVD D. Kubouchi 9. MAR '99	PRODUCT SPEC 製品規格 108-5616	SIZE A3
CUSTOMER DRAWING		APPLICATION SPEC 取付適用規格 114-5256	WEIGHT -	CAGE CODE 00779
		DRAWING NO 番号 C-1123910		RESTRICTED TO
		SCALE 尺度 8:1	SHEET OF 1	REV C

# Mouser Electronics

Authorized Distributor

Click to View Pricing, Inventory, Delivery & Lifecycle Information:

[TE Connectivity:](#)

[1123910-1](#)