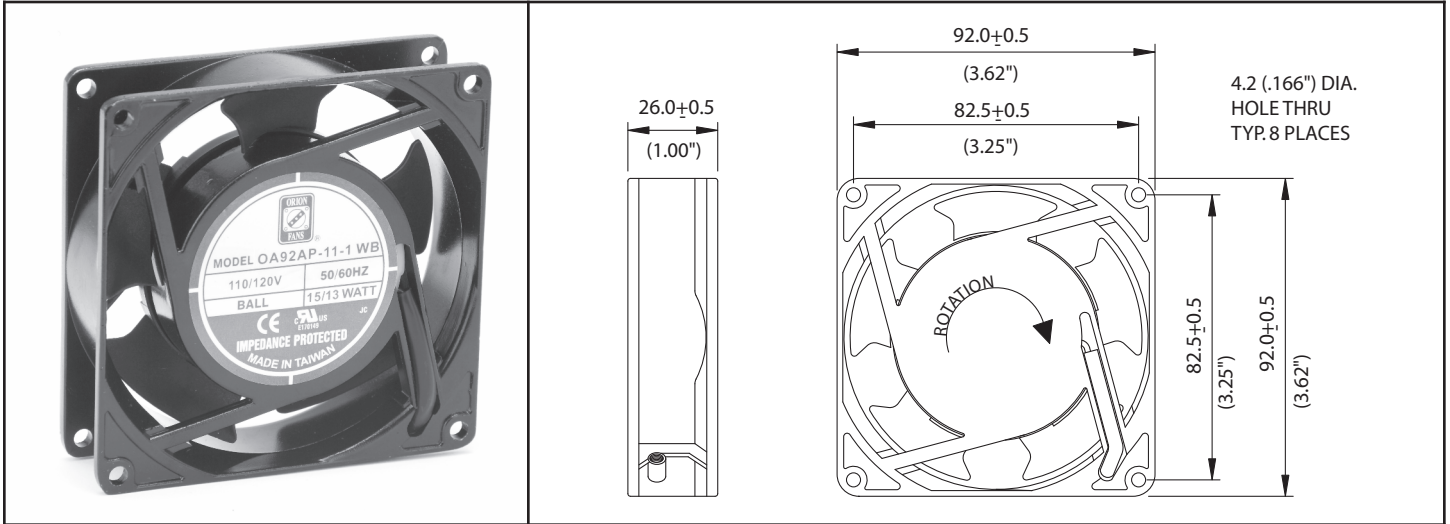


OA92 Series



AC Fan - 115V, 230V 92 x 25mm (3.62" x 1.0")



Frame	Diecast Aluminum	Operating Temperature Ball Bearing -20C ~ +80C Sleeve Bearing -10C ~ +50C Storage Temp -40C ~ +80C Life Expectancy Ball Bearing 60,000 hours (L10 at 40C) Sleeve Bearing 30,000 hours (L10 at 40C) Weight: ~ 0.64 lbs. m0	
Impeller	PBT, UL94V-0 plastic		
Connection	2x Lead Wires 22 AWG (~300mm) or terminals		
Motor	Shaded pole, impedance protected		
Bearing System	Dual ball or Sleeve		
Insulation Resistance	>100M ohm between lead-wire and frame (500VDC)		
Dielectric Strength	1 min at 1500 VAC, 50/60Hz		

Model Number	Speed (RPM)	Airflow (CFM)	Noise (dB)	Volts AC	Voltage Range	Watts	Max. Static Pressure ("H ₂ O)
OA92AP-11-1 *	3000	35	30	115	80~130	13	.20
OA92AP-11-2 *	2300	27	22	115	80~130	10	.14
OA92AP-11-3 *	1900	22	19	115	80~130	6	.09
OA92AP-22-1 *	3000	35	30	230	160~260	13	.20
OA92AP-22-2 *	2300	27	22	230	160~260	10	.14
OA92AP-22-3 *	1900	22	19	230	160~260	6	.09

* Indicate "TB" (Terminal Ball Bearing), "WB" (12" Wire Leads, Ball Bearing), "TS" (Terminal, Sleeve Bearing), "WS" (12" Wire Leads, Sleeve Bearing)

Mouser Electronics

Authorized Distributor

Click to View Pricing, Inventory, Delivery & Lifecycle Information:

Orion Fans:

[OA92AP-11-2WB](#) [OA92AP-11-2TB](#) [OA92AP-22-3WB](#) [OA92AP-11-1WB](#) [OA92AP-11-3WB](#) [OA92AP-11-3TB](#)
[OA92AP-22-3TB](#) [OA92AP-11-1TB](#) [OA92AP-22-2TB](#) [OA92AP-22-2WB](#) [OA92AP-22-1TB](#) [OA92AP-22-1WB](#) [OA92AP-](#)
[11-3WS](#) [OA92AP-22-3TS](#) [OA92AP-11-1TS](#) [OA92AP-22-2TS](#) [OA92AP-22-3WS](#) [OA92AP-11-1WS](#) [OA92AP-22-1WS](#)
[OA92AP-11-3TS](#) [OA92AP-11-2WS](#) [OA92AP-22-2WS](#) [OA92AP-11-2TS](#) [OA92AP-22-1TS](#)