

PART
NAME

PLASTIBOX (STYLE A)

PART
No.

PS-11301

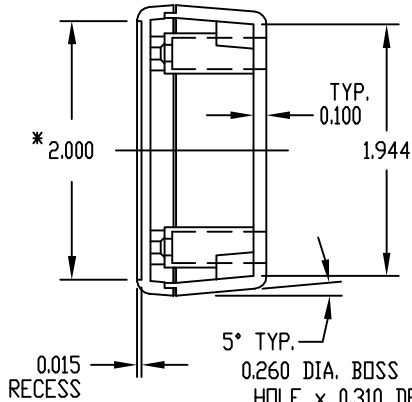
MATERIAL: HIGH-IMPACT ABS
COLOR: BLACK OR GRAY
FINISH: TEXTURED BODY WITH
SMOOTH TOP INSERT

FOUR (4) #4 x 0.250' LG. SCREWS
SUPPLIED FOR ASSEMBLING TOP.

FOUR (4) NON-SKID PUSH-ON FEET SUPPLIED.

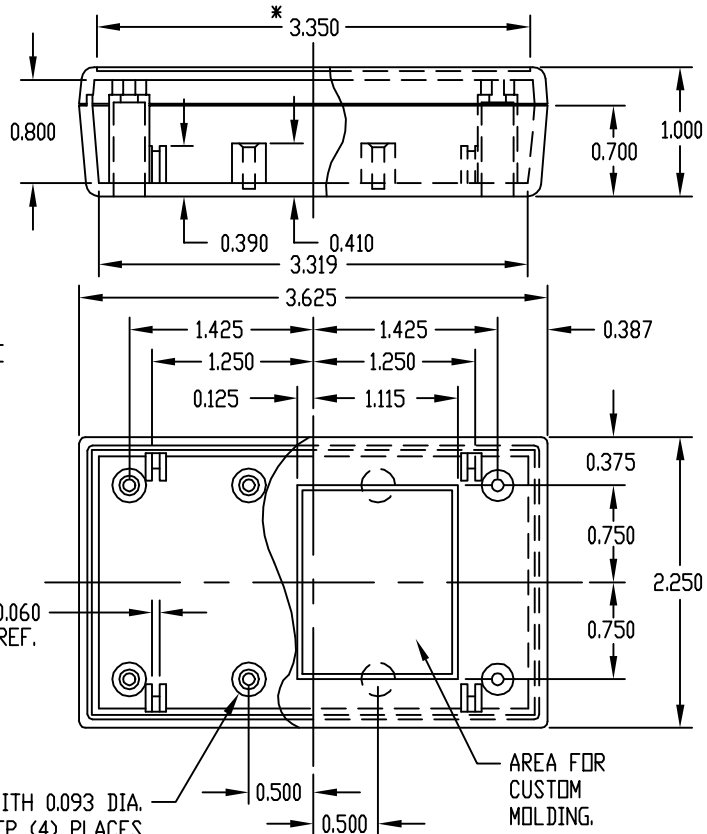
*-USABLE AREA ON COVER ALSO
AVAILABLE FOR CUSTOM MOLDING.

NOTE: ALL DIMENSIONS HAVE ±0.015 TOLERANCE
UNLESS OTHERWISE SPECIFIED.



0.015
RECESS

0.260 DIA. BOSS WITH 0.093 DIA.
HOLE x 0.310 DEEP (4) PLACES
MOUNTING BOSSES USE EITHER M2.5 METRIC
OR #4 STD. SHEET METAL SCREWS
x 0.250' LG. (NOT SUPPLIED)



0.060
REF.

AREA FOR
CUSTOM
MOLDING.

PART
NAME

PLASTIBOX (STYLE A)

PART
No.

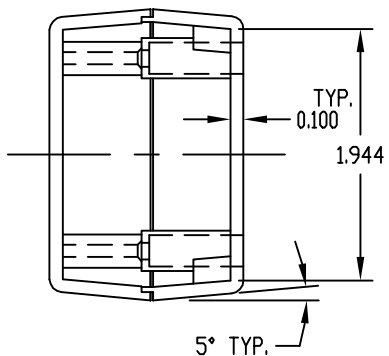
PT-11308

MATERIAL: HIGH-IMPACT ABS
COLOR: BLACK OR GRAY
FINISH: TEXTURED BODY
WITH TEXTURED TOP

FOUR (4) #4 x 0.375' LG. SCREWS
SUPPLIED FOR ASSEMBLING TOP.

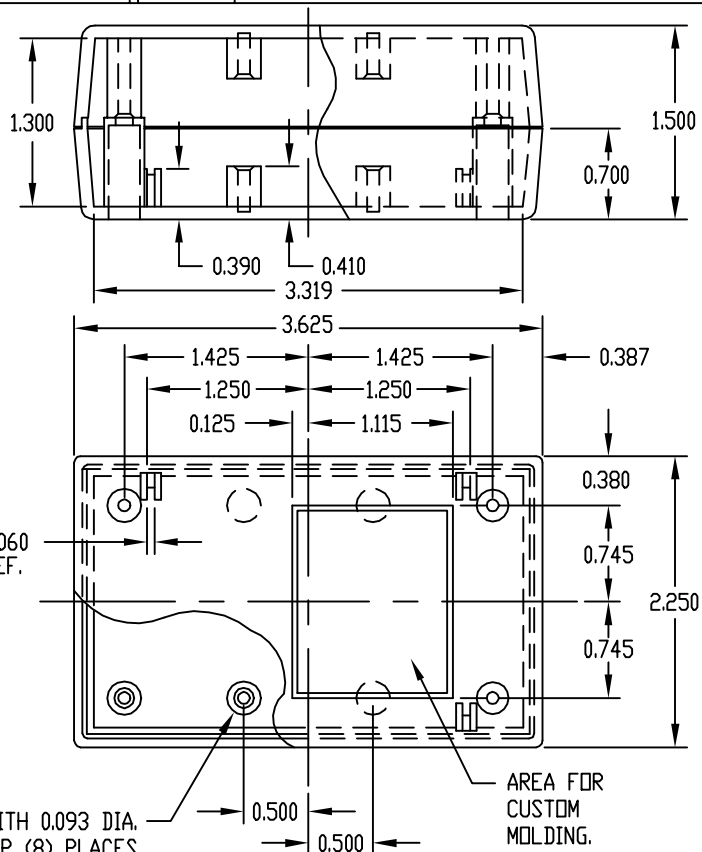
FOUR (4) NON-SKID PUSH-ON FEET SUPPLIED.

NOTE: ALL DIMENSIONS HAVE ±0.015 TOLERANCE
UNLESS OTHERWISE SPECIFIED.



0.060
REF.

0.260 DIA. BOSS WITH 0.093 DIA.
HOLE x 0.310 DEEP (8) PLACES
MOUNTING BOSSES USE EITHER M2.5 METRIC
OR #4 STD. SHEET METAL SCREWS
x 0.250' LG. (NOT SUPPLIED)



AREA FOR
CUSTOM
MOLDING.

Mouser Electronics

Authorized Distributor

Click to View Pricing, Inventory, Delivery & Lifecycle Information:

[Bud Industries:](#)

[PT-11308-G](#) [PT-11308-B](#)