

PLEASE CHECK WWW.MOLEX.COM FOR LATEST PART INFORMATION

Part Number: **0432028116**
Status: **Active**
Overview: Modular Jacks and Plugs
Description: Modular Jack, Right Angle, Low Profile, 8/6

Documents:

3D Model	Packaging Specification PK-43202-003 (PDF)
Drawing (PDF)	Test Summary TS-43202-002 (PDF)
Product Specification PS-43202-001 (PDF)	RoHS Certificate of Compliance (PDF)

Agency Certification

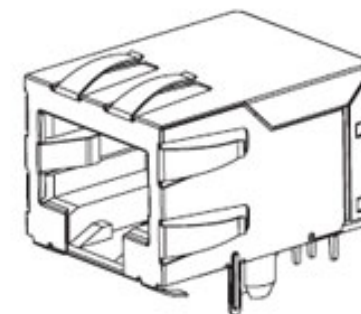
CSA	LR19980
UL	E107635

General

Product Family	Modular Jacks/Plugs
Series	<u>43202</u>
Component Type	PCB Jack
Magnetic	No
Overview	<u>Modular Jacks and Plugs</u>
Performance Category	3
Power over Ethernet (PoE)	N/A
Product Name	RJ45
UPC	800754237154

Physical

Boot Color	N/A
Color - Resin	Black
Durability (mating cycles max)	500
Flammability	94V-0
Inverted / Top Latch	No
Jack Height	11.58mm
Keying to Mating Part	None
Lightpipes/LEDs	None
Material - Metal	Phosphor Bronze
Material - Plating Mating	Gold
Material - Plating Termination	Tin
Material - Resin	High Temperature Thermoplastic
Net Weight	2.573/g
Orientation	Right Angle (Side Entry)
PCB Locator	Yes
PCB Retention	Yes
PCB Thickness - Recommended	1.57mm
Packaging Type	Tray
Panel Mount	Without Flange
Pitch - Mating Interface	1.02mm
Pitch - Termination Interface	1.27mm
Plating min - Mating	1.270µm
Plating min - Termination	2.540µm
Ports	1
Positions / Loaded Contacts	8/6
Surface Mount Compatible (SMC)	No
Temperature Range - Operating	-40°C to +85°C
Termination Interface: Style	Through Hole
Waterproof / Dustproof	No
Wire/Cable Type	N/A



Series image - Reference only

EU ELV

Not Relevant

EU RoHS

Compliant

REACH SVHC

Not Contained Per
-ED/79/2015 (17
December 2015)

Halogen-Free

Status

Not Low-Halogen

Need more information on product environmental compliance?

Email productcompliance@molex.com
Please visit the [Contact Us](#) section for any non-product compliance questions.

China ROHS

ELV

Green Image

Not Relevant

Search Parts in this Series

43202 Series

Mates With

FCC 68 Plugs

Electrical

Current - Maximum per Contact	1.5A
Grounding to PCB	No
Grounding to Panel	None
Shielded	No
Voltage - Maximum	150V AC (RMS)

Solder Process Data

Lead-freeProcess Capability	WAVE
-----------------------------	------

Material Info

Old Part Number	A432028116
-----------------	------------

Reference - Drawing Numbers

Packaging Specification	PK-43202-003
Product Specification	PS-43202-001, RPS-43202-002
Sales Drawing	SDA-43202
Test Summary	TS-43202-002

This document was generated on 06/10/2016

PLEASE CHECK WWW.MOLEX.COM FOR LATEST PART INFORMATION

Mouser Electronics

Authorized Distributor

Click to View Pricing, Inventory, Delivery & Lifecycle Information:

[Molex:](#)

[43202-8116](#)