

# 651/652-Series

## SMALL-SIZED ROCKER SWITCHES

This switch is ideal for applications with back panel size constraints. It fits in a standard rectangular cutout and is designed to provide ease of insertion along with superior panel retention qualities. A high profile rocker and butt-action contacts provide the user with a crisp positive-type feel and electrical ratings to 12A 125VAC 10A 250VAC. A variety of ratings, circuitry and termination choices will appeal to many market segments.



### Product Highlights:

- Ratings to 12A 125VAC, 6A 250VAC
- Suitable for low voltage 12/24V DC
- Solid or 2 color visi-rocker options
- 5 choices of termination

### Typical Applications:

- Handheld Appliance
- Audio-Visual
- Power Supplies



### Dielectric Strength

UL/CSA:  
1000V-live to dead metal parts

### Electrical Life

100,000 cycles- maintained  
50,000 cycles- momentary  
50,000 cycles- T-rating

### Mechanical Life

100,000 cycles

### Operating Temperature

32°F to 185°F (0°C to 85°C)

**651** **122** - **B** **B** - **A** **N**

1 Series      2 Circuit/Rating/Termination      3 Actuator Color      4 Base Color      5 Legend      6 Visi-Rocker End/ Legend Color

1 SERIES	
651	Matte Finish
652	Gloss Finish

4 BASE COLOR	
B	Black
W	White

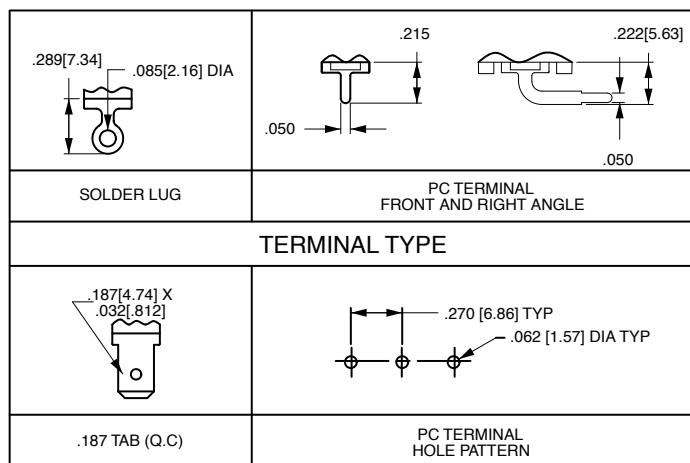
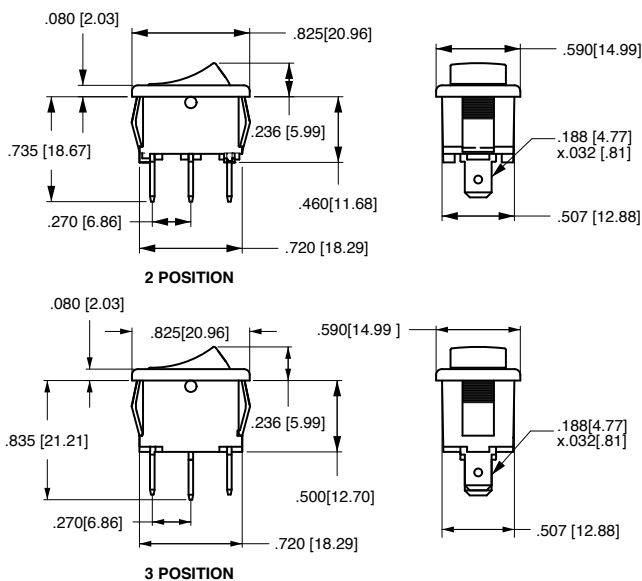
2 CIRCUITRY / RATING / TERMINATION					
10A 250VAC, 10A 125VAC, 1/4 HP, 125-250 VAC					
	.187 Solder Lugs	.187 Tabs	PC Terms	PC Rt. Angle	Wire Leads
ON-NONE-OFF	121	122	123	124	125
(ON)-NONE-OFF	261 <sup>1</sup>	262	263	264	265
ON-NONE-(OFF)	361 <sup>1</sup>	362	363	364	365
ON-NONE-ON	421	422	423	424	425
ON-NONE-(ON)	561 <sup>1</sup>	562	563	564	565
ON-OFF-ON	681 <sup>2</sup>	682	683	684	686
ON-OFF-(ON)	781 <sup>2</sup>	782	783	784	785
(ON)-OFF-(ON)	881 <sup>2</sup>	882	883	884	885

5 ROCKER LEGEND		
NO LEGEND	molded in <sup>4</sup>	hot stamp
Off-On vertical	0	0
Off-On horizontal	1	A
I-O horizontal	-	B
I-O vertical	8	D
O on rocker end	9	E
II-O-I vertical	-	F
II-O-I horizontal	-	G
		H

3 ACTUATOR COLOR	
B	Black
W	White

6 VISI-ROCKER END / LEGEND COLOR	
N	N/A
B	Black
V	Visi-red
W	White

Notes:  
Additional ratings (including 14V T) & color options are available; Consult factory.  
1 Rated 12A 125VAC, 6A 250 VAC, 1/4HP 125-250VAC.  
2 Rated 8A 125-250VAC, 1/4HP 125-250VAC.  
3 Additional colors available. Consult factory for details.  
4 Available with Visi-Rocker option only.  
( ) Indicates momentary function.



RECOMMENDED PANEL OPENING	PANEL THICKNESS		A	B	TEST CUT HOLE IN ACTUAL MATERIAL
	.030 [0.76]-.050 [1.27]	.508 [12.90]	.756 [19.20]		
	.050 [1.27]-.078 [1.98]	.508 [12.90]	.764 [19.40]		
	.078 [1.98]-.125 [3.17]	.508 [12.90]	.780 [19.81]		

\*Manufacturer reserves the right to change product specification without prior notice.

## Authorized Sales Representatives and Distributors

Click on a region of the map below to find your local representatives and distributors or visit [www.carlingtech.com/findarep](http://www.carlingtech.com/findarep).



## About Carling

Founded in 1920, Carling Technologies is a leading manufacturer of electrical and electronic switches and assemblies, circuit breakers, electronic controls, power distribution units, and multiplexed power distribution systems. With four ISO registered manufacturing facilities and technical sales offices worldwide, Carling Technologies Sales, Service and Engineering teams do much more than manufacture electrical components, they engineer powerful solutions! To learn more about Carling please visit [www.carlingtech.com/company-profile](http://www.carlingtech.com/company-profile).

To view all of Carling's environmental, quality, health & safety certifications please visit [www.carlingtech.com/environmental-certifications](http://www.carlingtech.com/environmental-certifications)

## **Worldwide Headquarters**

Carling Technologies, Inc.  
60 Johnson Avenue, Plainville, CT 06062  
**Phone:** 860.793.9281 **Fax:** 860.793.9231  
**Email:** sales@carlingtech.com

**Northern Region Sales Office:** nrsm@carlingtech.com  
**Southeast Region Sales Office:** sersm@carlingtech.com  
**Midwest Region Sales Office:** mrsm@carlingtech.com  
**West Region Sales Office:** wrsm@carlingtech.com  
**Latin America Sales Office:** larsm@carlingtech.com

## **Asia-Pacific Headquarters**

Carling Technologies, Asia-Pacific Ltd.,  
Suite 1607, 16/F Tower 2, The Gateway,  
Harbour City, 25 Canton Road,  
Tsimshatsui, Kowloon, Hong Kong  
**Phone:** Int + 852-2737-2277 **Fax:** Int + 852-2736-9332  
**Email:** sales@carlingtech.com.hk

**Shenzhen, China:** shenzhen@carlingtech.com  
**Shanghai, China:** shanghai@carlingtech.com  
**Pune, India:** india@carlingtech.com  
**Kaohsiung, Taiwan:** taiwan@carlingtech.com  
**Yokohama, Japan:** japan@carlingtech.com

## **Europe | Middle East | Africa Headquarters**

Carling Technologies LTD  
4 Airport Business Park, Exeter Airport,  
Clyst Honiton, Exeter, Devon, EX5 2UL, UK  
**Phone:** Int + 44 1392.364422 **Fax:** Int + 44 1392.364477  
**Email:** ltd.sales@carlingtech.com

**Germany:** gmbh@carlingtech.com  
**France:** sas@carlingtech.com



**Carling Technologies®**

Innovative Designs. Powerful Solutions.

# Mouser Electronics

Authorized Distributor

Click to View Pricing, Inventory, Delivery & Lifecycle Information:

## Carling Technologies:

[651121-BB-EN](#) [651122-BB-0N](#) [651122-WW-0N](#) [651262-BB-0N](#) [651682-WW-0N](#) [651882-BB-0N](#) [651121-BB-XN-](#)  
[XSN1](#) [651421-BB-0N](#) [651122-BB-1V](#) [651122-BB-FN](#) [651262-BB-EN](#) [651782-BB-0N](#) [651121-BB-AN-XDRG1](#)  
[651121-BB-0N](#) [651123-BB-0N](#) [651881-BB-0N](#) [651685-BB-0N](#) [651881-RB-0N](#) [651682-BB-0W](#) [651122-BB-0W](#)