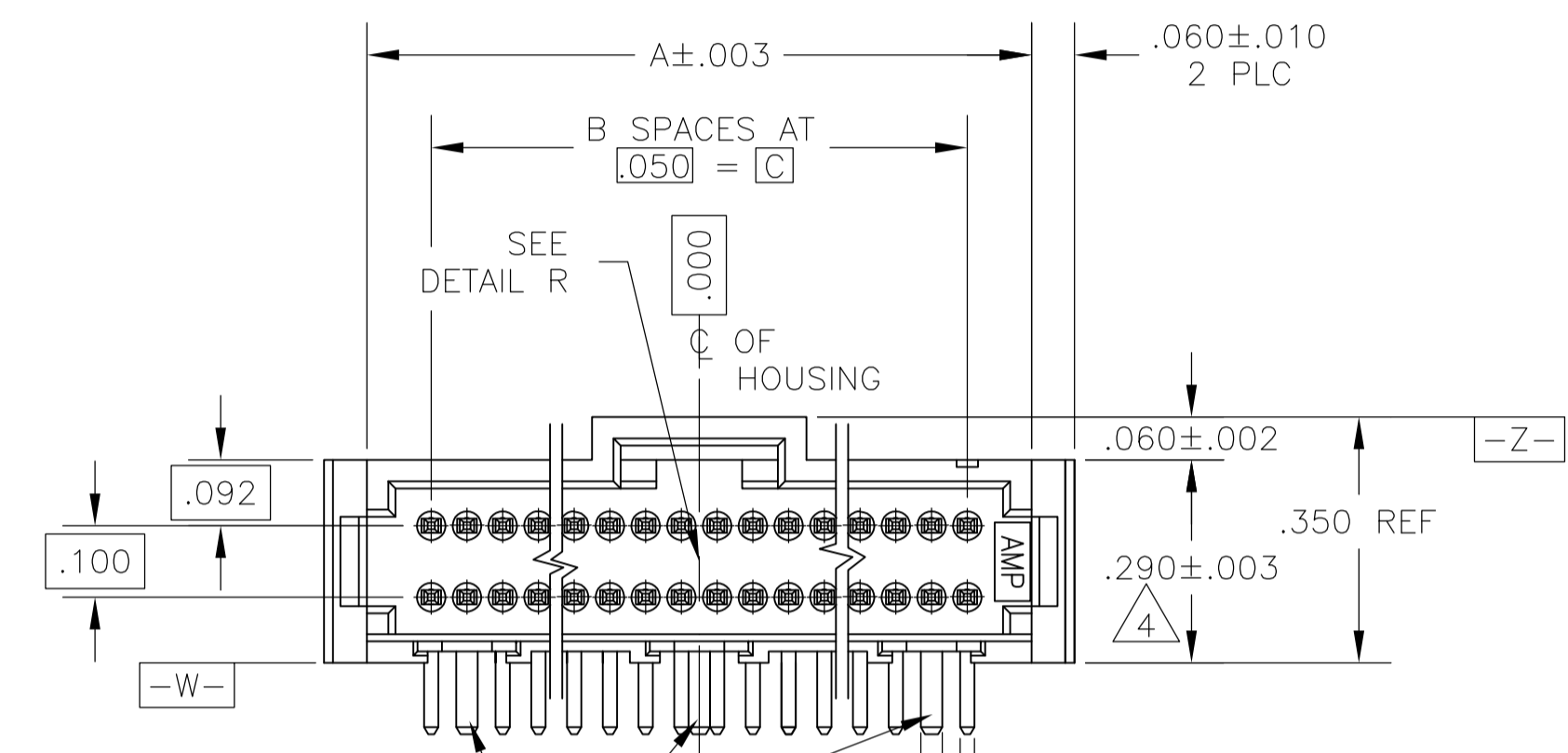
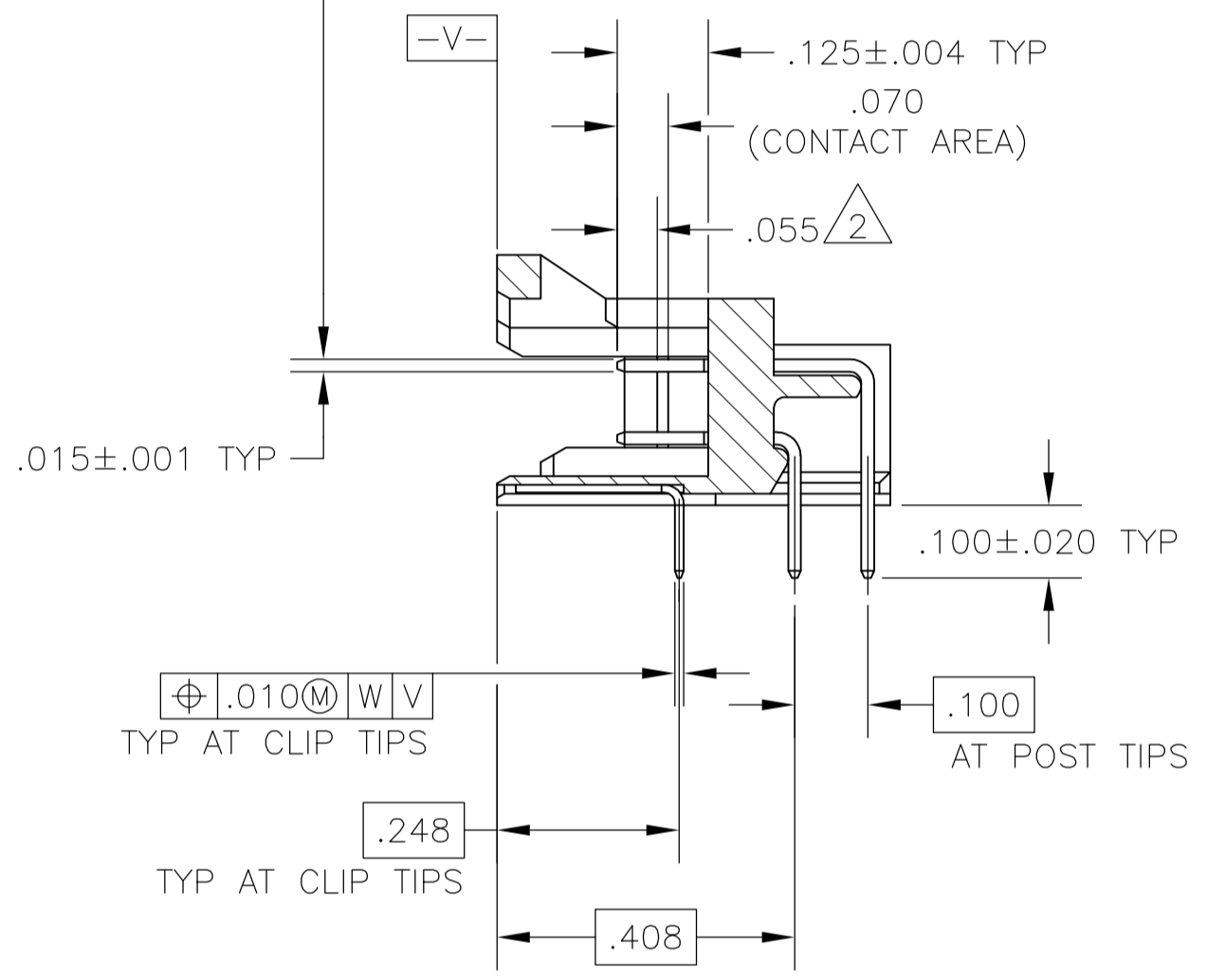


Φ .006 @ V Z Y S  
TYP AT POST TIPS

- 1 CONTACT AREA PLATED WITH .000030 MIN GOLD, SOLDER LEADS PLATED WITH .000150 TIN LEAD, ALL OVER .000050 NICKEL
- 2 POINT OF MEASUREMENT FOR GOLD THICKNESS
- 3 CIRCUIT IDENTIFICATION FEATURE OMITTED ON 8,10,12,& 14 POSITION HEADER ASSEMBLIES
- 4 DIMENSION APPLIES AT BASE OF SHROUD
- 5 THE NOTED DIMENSIONS APPLY AT THE INTERSECTION OF THE POST AND HOUSING
- 6 CONTACT AREA PLATED WITH .000030 MIN GOLD, SOLDER LEADS PLATED WITH .000150 TIN, ALL OVER .000050 NICKEL
- 7 FINISH: .000001 MIN GOLD ON GOLD PLATED AREA. .000150-.000250 MATTE TIN-LEAD ON TIN PLATED AREA. UNDER PLATING TO BE .000050-.000100 NICKEL ON ENTIRE CONTACT.
- 8 FINISH: .000001 MIN GOLD ON GOLD PLATED AREA. .000150-.000250 MATTE TIN ON TIN PLATED AREA. UNDER PLATING TO BE .000050-.000100 NICKEL ON ENTIRE CONTACT.
- 9 PRELIMINARY - NOT FOR PRODUCTION
- 10 OBSOLETE
- 11 OBSOLETE PARTS: OBSOLETE CIS STREAMLINING PER D.RENAUD/D.SINISI

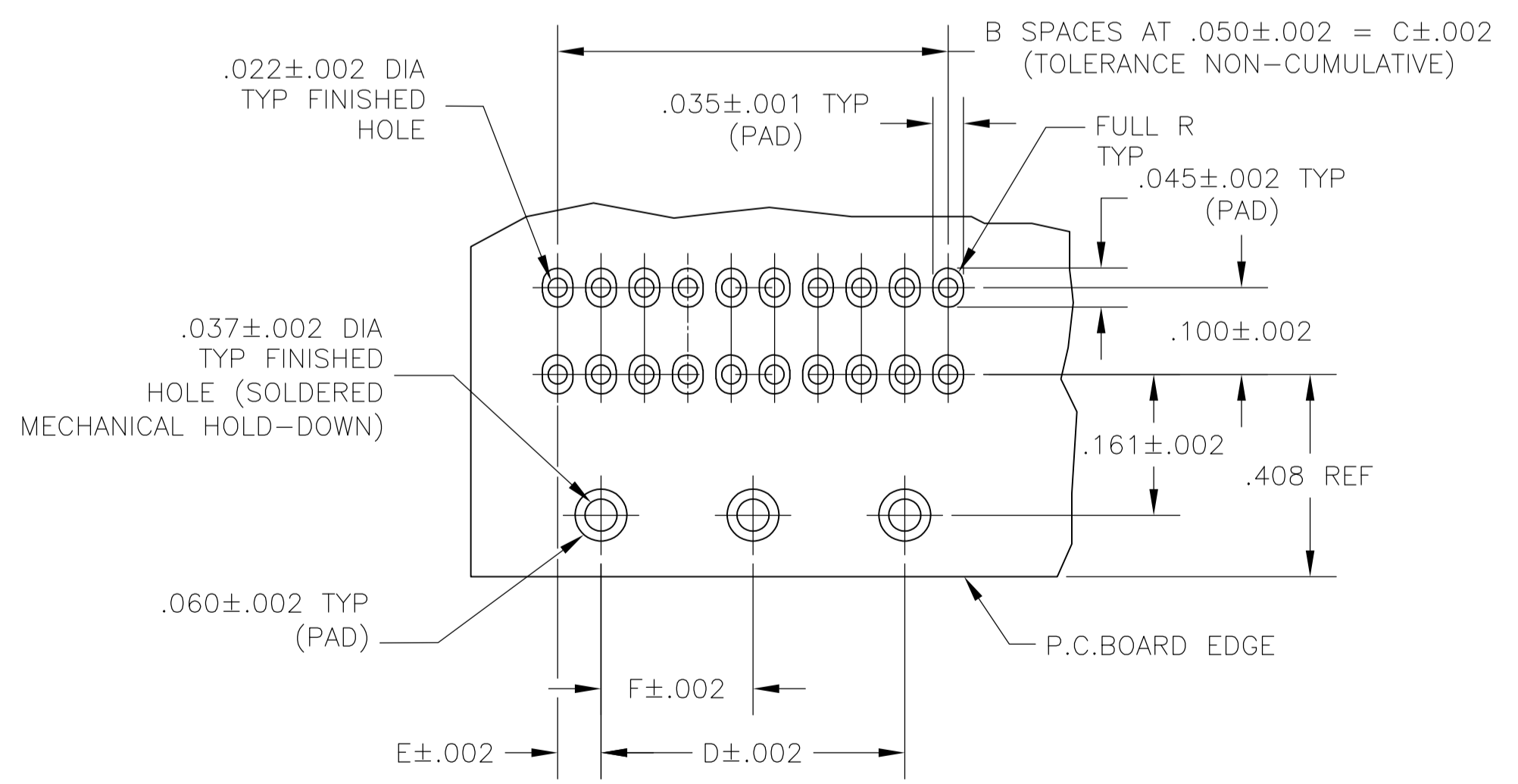


HOLD DOWN FEATURES LOCATED AS SHOWN FOR 16 THRU 100 POSN ASSEMBLIES (SEE TABLE)  
 HOLD DOWN FEATURES LOCATED AS SHOWN FOR 8 THRU 14 & 60 THRU 100 POSN ASSEMBLIES (SEE TABLE)

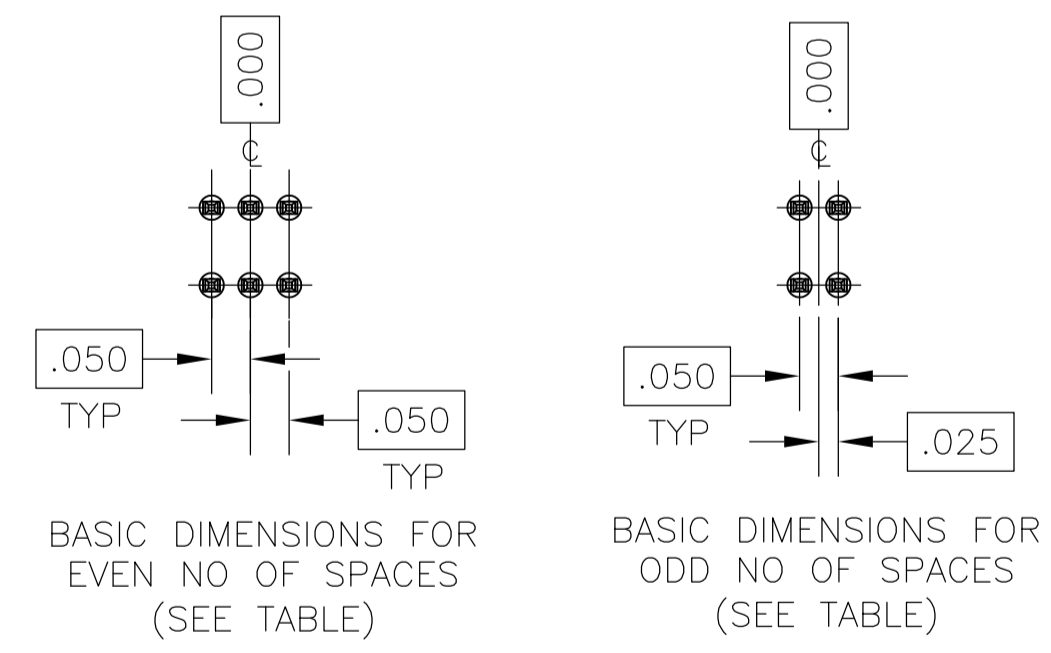


Φ .010 @ W V  
TYP AT CLIP TIPS

Φ .010 @ W V Y S  
TYP AT CLIP TIPS



RECOMMENDED HOLE PATTERN



DETAIL R

|       |       |       |       |       |       |       |          |            |
|-------|-------|-------|-------|-------|-------|-------|----------|------------|
| 7     | .775  | .050  | 1.550 | 1.650 | 33    | 1.830 | 68       | 3-104069-8 |
|       | 1.175 | .050  | 2.350 | 2.450 | 49    | 2.630 | 100      | 3-104069-7 |
|       | .825  | .050  | 1.650 | 1.750 | 35    | 1.930 | 72       | 3-104069-6 |
|       | -     | .050  | .950  | 1.050 | 21    | 1.230 | 44       | 3-104069-5 |
|       | -     | .050  | .700  | .800  | 16    | .980  | 34       | 3-104069-4 |
|       | -     | .050  | .500  | .600  | 12    | .780  | 26       | 3-104069-3 |
|       | -     | .050  | .450  | .550  | 11    | .730  | 24       | 3-104069-2 |
|       | -     | .050  | .250  | .350  | 7     | .530  | 16       | 3-104069-1 |
|       | -     | .150  | -     | .300  | 6     | .480  | 14       | 3-104069-0 |
|       | -     | .125  | -     | .250  | 5     | .430  | 12       | 2-104069-9 |
|       | -     | .075  | -     | .150  | 3     | .330  | 8        | 2-104069-8 |
|       | .675  | .050  | 1.350 | 1.450 | 29    | 1.630 | 60       | 2-104069-7 |
|       | -     | .050  | .850  | .950  | 19    | 1.130 | 40       | 2-104069-6 |
|       | -     | .050  | .600  | .700  | 14    | .880  | 30       | 2-104069-5 |
|       | -     | .100  | -     | .200  | 4     | .380  | 10       | 2-104069-4 |
|       | 11    | .925  | .050  | 1.850 | 1.950 | 39    | 2.130    | 80         |
| -     |       | .050  | 1.100 | 1.200 | 24    | 1.380 | 50       | 2-104069-2 |
| -     |       | .050  | .350  | .450  | 9     | .630  | 20       | 2-104069-1 |
| .775  |       | .050  | 1.550 | 1.650 | 33    | 1.830 | 68       | 1-104069-8 |
| 1.175 |       | .050  | 2.350 | 2.450 | 49    | 2.630 | 100      | 1-104069-7 |
| .825  |       | .050  | 1.650 | 1.750 | 35    | 1.930 | 72       | 1-104069-6 |
| -     |       | .050  | .950  | 1.050 | 21    | 1.230 | 44       | 1-104069-5 |
| -     |       | .050  | .700  | .800  | 16    | .980  | 34       | 1-104069-4 |
| -     |       | .050  | .500  | .600  | 12    | .780  | 26       | 1-104069-3 |
| -     |       | .050  | .450  | .550  | 11    | .730  | 24       | 1-104069-2 |
| -     |       | .050  | .250  | .350  | 7     | .530  | 16       | 1-104069-1 |
| -     |       | .150  | -     | .300  | 6     | .480  | 14       | 1-104069-0 |
| -     |       | .125  | -     | .250  | 5     | .430  | 12       | 104069-9   |
| -     |       | .075  | -     | .150  | 3     | .330  | 8        | 104069-8   |
| .675  |       | .050  | 1.350 | 1.450 | 29    | 1.630 | 60       | 104069-7   |
| -     |       | .050  | .850  | .950  | 19    | 1.130 | 40       | 104069-6   |
| -     | .050  | .600  | .700  | 14    | .880  | 30    | 104069-5 |            |
| -     | .100  | -     | .200  | 4     | .380  | 10    | 104069-4 |            |
| .925  | .050  | 1.850 | 1.950 | 39    | 2.130 | 80    | 104069-3 |            |
| -     | .050  | 1.100 | 1.200 | 24    | 1.380 | 50    | 104069-2 |            |
| -     | .050  | .350  | .450  | 9     | .630  | 20    | 104069-1 |            |

| FINISH | F | E | D | C | B | A | NO OF POSN | PART NUMBER |
|--------|---|---|---|---|---|---|------------|-------------|
|--------|---|---|---|---|---|---|------------|-------------|


THIS DRAWING IS A CONTROLLED DOCUMENT. **STE** TE Connectivity

|  |  |                            |   |
|--|--|----------------------------|---|
| DIMENSIONS: INCHES   | TOLERANCES UNLESS OTHERWISE SPECIFIED: | DIN D. CLOUSER 10-3-88     | APVD T. ZOLA 10-3-88                        |
| 0 PLC ± -  | 1 PLC ± -                              | 2 PLC ± -                  | 3 PLC ± .005                                |
| 4 PLC ± -  | ANGLES ± -                             | NAME T. ZOLA 10-3-88       | PRODUCT SPEC 108-1093                       |
| MATERIAL HOUSING:THERMOPLASTIC COLOR:BLACK CONTACT: COPPER ALLOY | FINISH SEE TABLE                       | APPLICATION SPEC 114-25031 | SIZE CASE CODE DRAWING NO A1 00779 C=104069 |
| CUSTOMER DRAWING   |  | WEIGHT -                   | RESTRICTED TO                               |

SCALE 4:1 SHEET 1 OF 2 REV AA

| LOC |     | DIST        |      | REVISIONS |      |  |  |  |
|-----|-----|-------------|------|-----------|------|--|--|--|
| P   | LTR | DESCRIPTION | DATE | DN        | APVD |  |  |  |
| -   |     | SEE SHEET 1 | -    | -         | -    |  |  |  |

| FINISH | F     | E     | D     | C     | B     | A     | NO OF POSN | PART NUMBER |
|--------|-------|-------|-------|-------|-------|-------|------------|-------------|
|        |       |       |       |       |       |       |            |             |
| 8      | .775  | .050  | 1.550 | 1.650 | 33    | 1.830 | 68         | 8-104069-8  |
|        | 1.175 | .050  | 2.350 | 2.450 | 49    | 2.630 | 100        | 8-104069-7  |
|        | .825  | .050  | 1.650 | 1.750 | 35    | 1.930 | 72         | 8-104069-6  |
|        | -     | .050  | .950  | 1.050 | 21    | 1.230 | 44         | 8-104069-5  |
|        | -     | .050  | .700  | .800  | 16    | .980  | 34         | 8-104069-4  |
|        | -     | .050  | .500  | .600  | 12    | .780  | 26         | 8-104069-3  |
|        | -     | .050  | .450  | .550  | 11    | .730  | 24         | 8-104069-2  |
|        | -     | .050  | .250  | .350  | 7     | .530  | 16         | 8-104069-1  |
|        | -     | .150  | -     | .300  | 6     | .480  | 14         | 8-104069-0  |
|        | -     | .125  | -     | .250  | 5     | .430  | 12         | 7-104069-9  |
|        | -     | .075  | -     | .150  | 3     | .330  | 8          | 7-104069-8  |
|        | .675  | .050  | 1.350 | 1.450 | 29    | 1.630 | 60         | 7-104069-7  |
|        | -     | .050  | .850  | .950  | 19    | 1.130 | 40         | 7-104069-6  |
|        | -     | .050  | .600  | .700  | 14    | .880  | 30         | 7-104069-5  |
|        | -     | .100  | -     | .200  | 4     | .380  | 10         | 7-104069-4  |
|        | .925  | .050  | 1.850 | 1.950 | 39    | 2.130 | 80         | 7-104069-3  |
| -      | .050  | 1.100 | 1.200 | 24    | 1.380 | 50    | 7-104069-2 |             |
| -      | .050  | .350  | .450  | 9     | .630  | 20    | 7-104069-1 |             |
| 6      | .775  | .050  | 1.550 | 1.650 | 33    | 1.830 | 68         | 6-104069-8  |
|        | 1.175 | .050  | 2.350 | 2.450 | 49    | 2.630 | 100        | 6-104069-7  |
|        | .825  | .050  | 1.650 | 1.750 | 35    | 1.930 | 72         | 6-104069-6  |
|        | -     | .050  | .950  | 1.050 | 21    | 1.230 | 44         | 6-104069-5  |
|        | -     | .050  | .700  | .800  | 16    | .980  | 34         | 6-104069-4  |
|        | -     | .050  | .500  | .600  | 12    | .780  | 26         | 6-104069-3  |
|        | -     | .050  | .450  | .550  | 11    | .730  | 24         | 6-104069-2  |
|        | -     | .050  | .250  | .350  | 7     | .530  | 16         | 6-104069-1  |
|        | -     | .150  | -     | .300  | 6     | .480  | 14         | 6-104069-0  |
|        | -     | .125  | -     | .250  | 5     | .430  | 12         | 5-104069-9  |
|        | -     | .075  | -     | .150  | 3     | .330  | 8          | 5-104069-8  |
|        | .675  | .050  | 1.350 | 1.450 | 29    | 1.630 | 60         | 5-104069-7  |
|        | -     | .050  | .850  | .950  | 19    | 1.130 | 40         | 5-104069-6  |
|        | -     | .050  | .600  | .700  | 14    | .880  | 30         | 5-104069-5  |
|        | -     | .100  | -     | .200  | 4     | .380  | 10         | 5-104069-4  |
|        | .925  | .050  | 1.850 | 1.950 | 39    | 2.130 | 80         | 5-104069-3  |
| -      | .050  | 1.100 | 1.200 | 24    | 1.380 | 50    | 5-104069-2 |             |
| -      | .050  | .350  | .450  | 9     | .630  | 20    | 5-104069-1 |             |

|  |  |   |  |   |  |
|--|--|---|--|---|--|
| THIS DRAWING IS A CONTROLLED DOCUMENT.   |  | D. CLOUSER 10-3-88  |  |  TE Connectivity |  |
| DIMENSIONS: INCHES   |  | TOLERANCES UNLESS OTHERWISE SPECIFIED:  |  |   |  |
| 0 PLC ± -<br>1 PLC ± -<br>2 PLC ± -<br>3 PLC ± .005<br>4 PLC ± -<br>ANGLES ± - |  | D. CLOUSER 10-3-88<br>T. ZOLA 10-3-88<br>NAME: T. ZOLA<br>PRODUCT SPEC: 108-1093<br>APPLICATION SPEC: 114-25031 |  | HEADER ASSEMBLY, RIGHT ANGLE, DOUBLE ROW, W/SIDE & END LATCHES, AMPMODU System 50                     |  |
| MATERIAL   |  | FINISH SEE TABLE  |  | WEIGHT: -<br>SIZE: A1<br>CASE CODE: 00779<br>DRAWING NO: 104069<br>RESTRICTED TO: -                   |  |
| CUSTOMER DRAWING   |  |   |  | SCALE: 4:1 SHEET 2 OF 2 REV AA  |  |

# Mouser Electronics

Authorized Distributor

Click to View Pricing, Inventory, Delivery & Lifecycle Information:

[TE Connectivity:](#)

[104069-4](#)