

MATERIALS AND FINISHES

PART NO.73413-0050

BODY BRASS  
PLATED GOLD

CENTER CONTACT BERYLLIUM COPPER  
PLATED GOLD

INSULATOR TEFLON

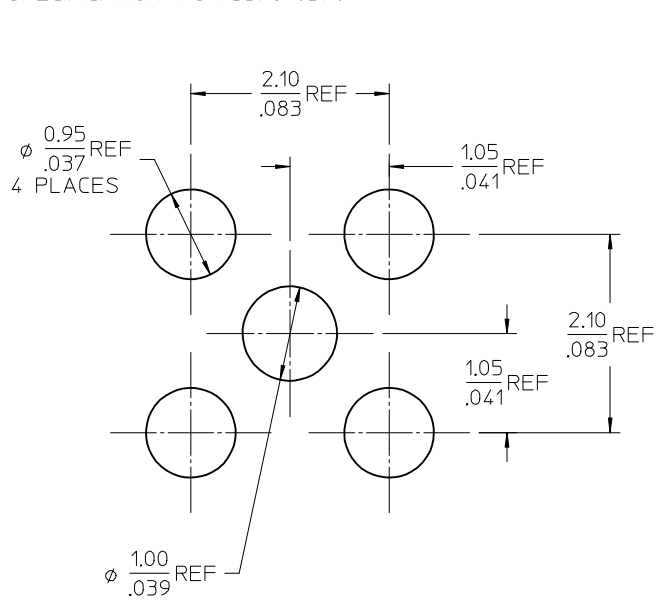
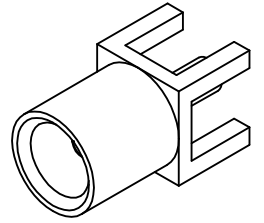
SPECIFICATION: PS-73598-0370

PART NO.73413-0051

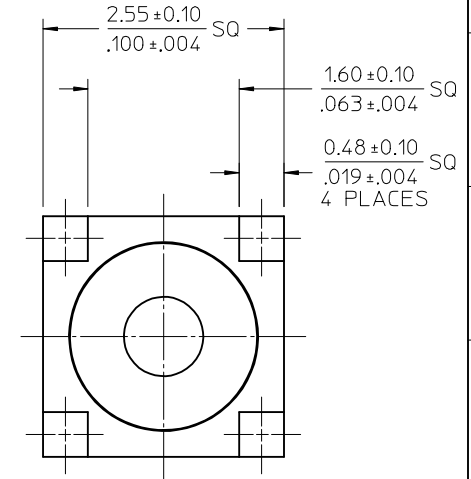
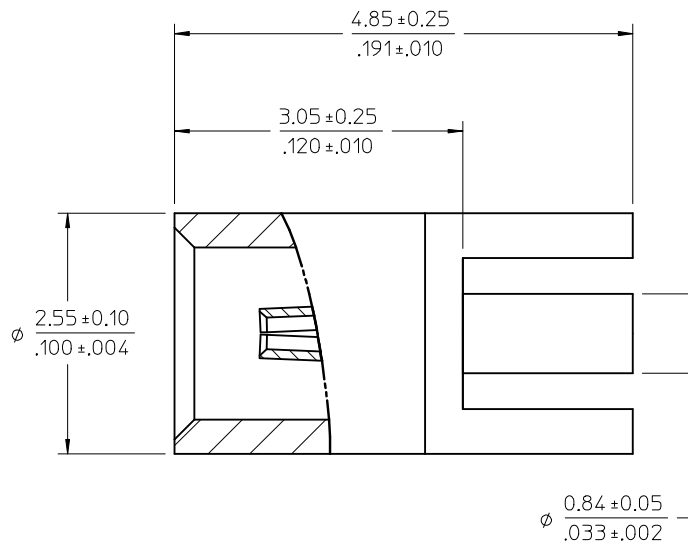
BODY BERYLLIUM COPPER  
PLATED TRI-METAL

CENTER CONTACT BERYLLIUM COPPER  
PLATED GOLD

INSULATOR TEFLON



RECOMMENDED PCB HOLES



73413-0051	NON-MAGNETIC TYPE
73413-0050	GENERAL TYPE
PART NUMBER	DESCRIPTION

73413-0052	73413-0050, ONE PER BAG
73413-0051	BULK
73413-0050	BULK
PART NO.	PACKAGING

CHG: UPDATED DEPICTION OF BODY AND CONTACT AND CONTACT 4.85±0.25 WAS 4.92±0.25, 3.05±0.25 WAS 3.12±0.25 ADDED -0052

EC NO: URF2007-0301  
 DRWNS:SHAH 2007/01/29  
 CHKD:FLAHERY 2007/01/29  
 APPR:WIENER 2007/01/29

QUALITY SYMBOLS  
 ▼=0  
 ▽=0

DESCRIPTION  
 A4

GENERAL TOLERANCES (UNLESS SPECIFIED)

	mm	INCH
4 PLACES	± .005	± .0002
3 PLACES	± .004	± .00015
2 PLACES	± .003	± .0001
1 PLACE	± .002	± .00005

ANGULAR ± 2°

DRAFT WHERE APPLICABLE MUST REMAIN WITHIN DIMENSIONS

DIMENSION STYLE MM/IN

DRAWN BY	DATE
JOHN	2005/03/24
CHECKED BY	DATE
PENNY	2005/03/24
APPROVED BY	DATE
MISEN	2005/03/24

MATERIAL NO. SEE TABLE

SCALE DESIGN UNITS METRIC

THIRD ANGLE PROJECTION

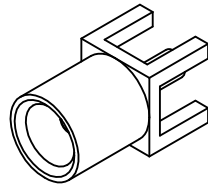
TITLE  
 SSMCX, 50 OHM  
 VERTICAL JACK PCB TYPE  
 SSMCX-J/PCB

MOLEX INCORPORATED

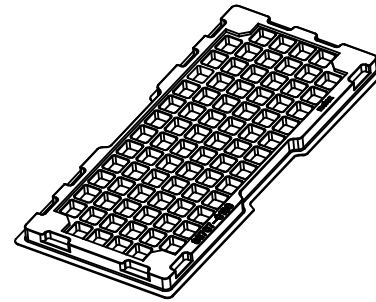
DOCUMENT NO. SD-73413-005

SHEET NO. 1 OF 1

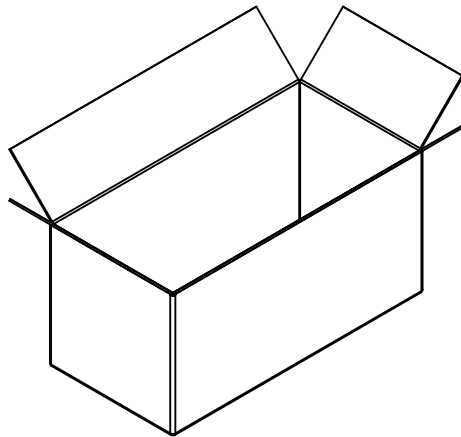
THIS DRAWING CONTAINS INFORMATION THAT IS PROPRIETARY TO MOLEX INCORPORATED AND SHOULD NOT BE USED WITHOUT WRITTEN PERMISSION



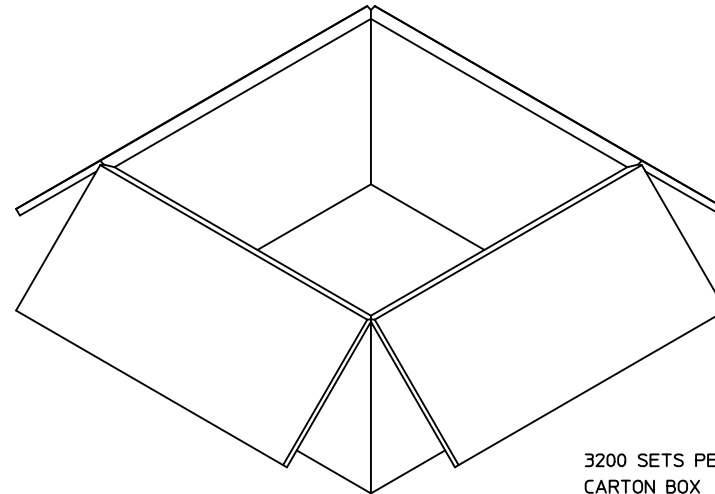
PART NO. 73413-0050



80 SETS PERE TRAY  
TRAY P/N 89707-0190  
360\*165\*18.6 MM



1600 SETS PER INNER  
CARTON BOX  
P/N 96707-0001  
367\*173\*188 MM



3200 SETS PER OUTER  
CARTON BOX  
P/N 96708-0005  
385\*367\*206 MM

CHG NEW RELEASE CUSTOMER REQUEST ECR NO: URF 201205077	DRAWN BY: CHENG 2012/05/08 CHKD: APPR: MHUANG 2012/05/11	DESCRIPTION DESCRIPTION	QUALITY SYMBOLS = 0 = 0 = 0	GENERAL TOLERANCES (UNLESS SPECIFIED) <table border="1"> <tr> <td></td> <td>mm</td> <td>INCH</td> </tr> <tr> <td>4 PLACES</td> <td>± ---</td> <td>± ---</td> </tr> <tr> <td>3 PLACES</td> <td>± ---</td> <td>± ---</td> </tr> <tr> <td>2 PLACES</td> <td>± ---</td> <td>± ---</td> </tr> <tr> <td>1 PLACE</td> <td>± ---</td> <td>± ---</td> </tr> <tr> <td>0 PLACE</td> <td>± ---</td> <td>± ---</td> </tr> </table>		mm	INCH	4 PLACES	± ---	± ---	3 PLACES	± ---	± ---	2 PLACES	± ---	± ---	1 PLACE	± ---	± ---	0 PLACE	± ---	± ---	DIMENSION STYLE MM/IN DRAWN BY: YCHENG DATE: 2012/05/08 CHECKED BY: DATE:	SCALE: TITLE: PACKING FOR 73413-0050 DESIGN UNITS: METRIC THIRD ANGLE PROJECTION
		mm	INCH																					
	4 PLACES	± ---	± ---																					
	3 PLACES	± ---	± ---																					
2 PLACES	± ---	± ---																						
1 PLACE	± ---	± ---																						
0 PLACE	± ---	± ---																						
APPROVED BY: MHUANG DATE: 2012/05/11	MATERIAL NO.: -----	DOCUMENT NO.: SD-73413-005PKG	SHEET NO.: 1 OF 1																					
DRAFT WHERE APPLICABLE MUST REMAIN WITHIN DIMENSIONS	SIZE: C	THIS DRAWING CONTAINS INFORMATION THAT IS PROPRIETARY TO MOLEX INCORPORATED AND SHOULD NOT BE USED WITHOUT WRITTEN PERMISSION																						
A	REV:																							