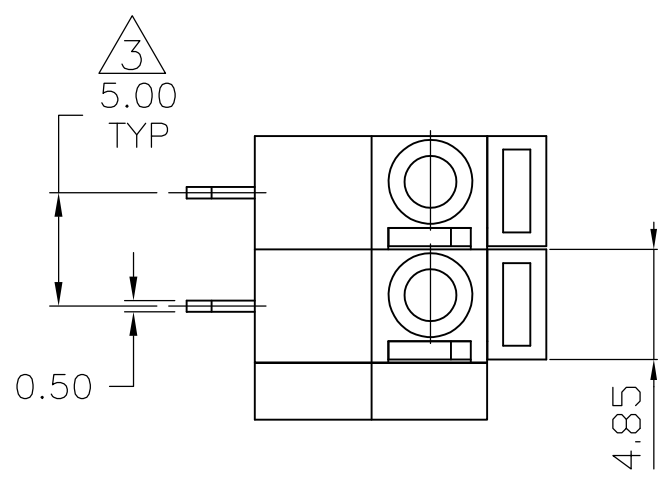
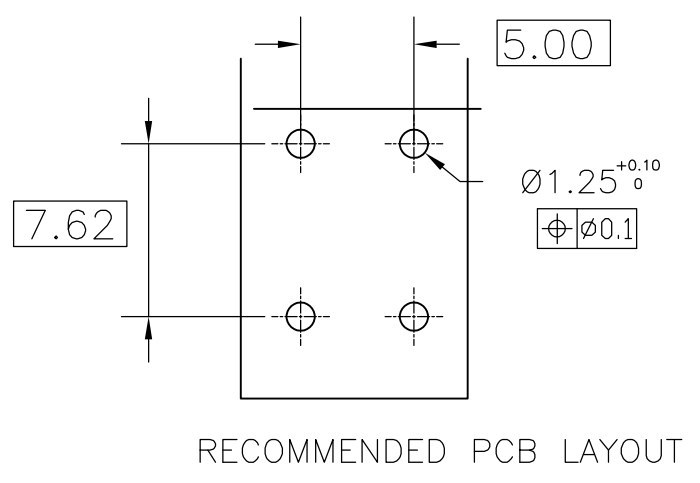
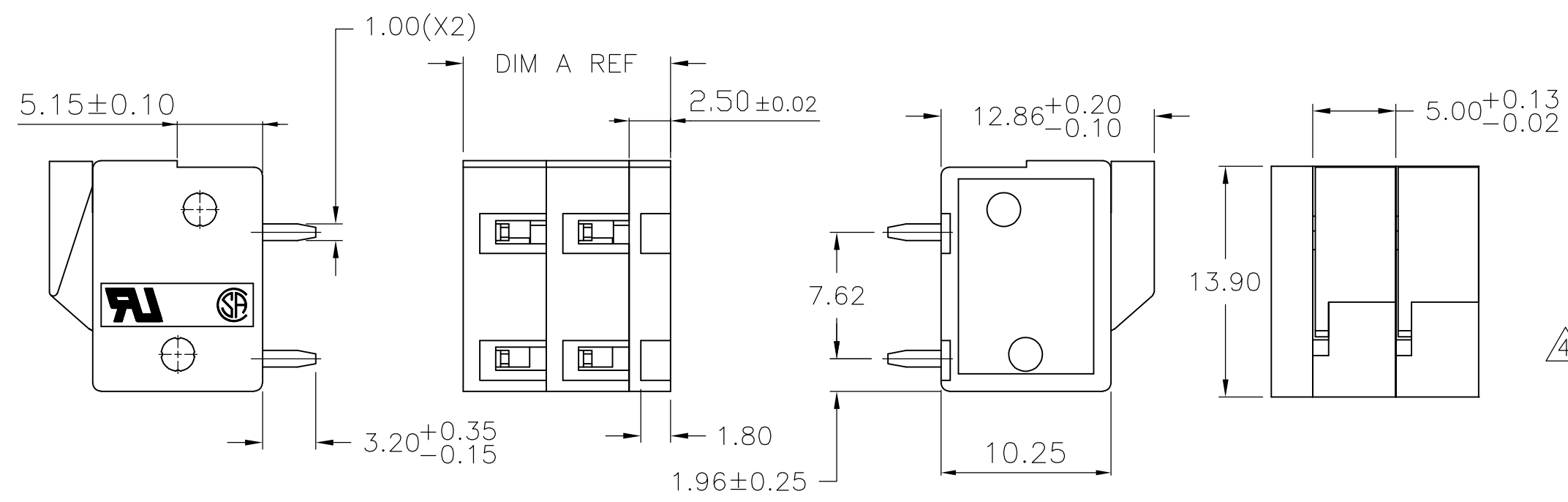


THIS DRAWING IS UNPUBLISHED. RELEASED FOR PUBLICATION
 © COPYRIGHT - By - ALL RIGHTS RESERVED.

LOC	DIST	REVISIONS				
P	LTR	DESCRIPTION	DATE	DWN	APVD	
FT	0	A	PCB LAYOUT ADDED HIGH TEMP PHRASE REMOVED	5JAN2015	FP	NG



- ALL DIMENSIONS ARE IN mm'S.
 - BUCHANAN LOGO TO APPEAR ON HOUSING, LOCATION OPTIONAL WHERE SPACE PERMITS.
- △3 NON CUMULATIVE
 △4 OBSOLETE



DIM. A	NO. OF POS.	PART NUMBER
62.50	12	1-1776261-2
57.50	11	1-1776261-1
52.20	10	1-1776261-0
47.50	9	1776261-9
42.50	8	1776261-8
37.50	7	1776261-7
32.50	6	1776261-6
27.50	5	1776261-5
22.50	4	1776261-4
17.50	3	1776261-3
12.50	2	1776261-2

1776261-2 AS SHOWN

THIS DRAWING IS A CONTROLLED DOCUMENT.		DWN S SCHLEGEL 5/6/05	TE Connectivity				
DIMENSIONS: mm		CHK C RICHARD 5/6/05					
TOLERANCES UNLESS OTHERWISE SPECIFIED:		APVD C RICHARD 5/6/05	NAME				
0 PLC ± - 1 PLC ± 0.3 2 PLC ± 0.25 3 PLC ± - 4 PLC ± - ANGLES ± -		PRODUCT SPEC -	TERMINAL BLOCK, BOARD MT. SCREWLESS, SIDE WIRE ENTRY, 5.0mm PITCH				
MATERIAL -		FINISH -	APPLICATION SPEC -	SIZE A3	CAGE CODE 00779	DRAWING NO C-1776261	RESTRICTED TO -
RESTRICTED CUSTOMER			WEIGHT -	SCALE NTS	SHEET 1 OF 2	REV A	

THIS DRAWING IS UNPUBLISHED. RELEASED FOR PUBLICATION
 © COPYRIGHT - By - ALL RIGHTS RESERVED.

LOC	DIST	REVISIONS			
P	LTR	DESCRIPTION	DATE	DWN	APVD
FT	0	-	SEE SHEET 1	-	-

1. Application and Features:

- 1-1. This screwless terminals are suitable for both solid and flexible conductors.
- 1-2. A spring made of stainless strip steel guarantees for permanent and safe contact.
- 1-3. The type is operated by pushing a screwdriver on the level. This lever is fully integrated into the body.
- 1-4. It is equipped with a cover for easy hand adjustment.

2. Technical Data:

2-1. Material:

- 2-1-1. HOUSING: NYLON 6.6,
UL 94 V-0 (Green).
- 2-1-2. Contact: Brass(Cu Zn)
Ni,Tin plated.
first 50u" (min) Ni plated over all.
last 120u" (min) Tin plated over all.
- 2-1-3. Metal Plate: Stainless strip steel.

2-2. Electrical:

- 2-2-1. Current rating: 10 Amp 300VAC.
- 2-2-2. Dielectric withstanding
voltage: 2000VAC (min).
- 2-2-3. Insulation resistance: 500M Ω more
at 500VAC.
- 2-2-4. Wire Range: 14-22AWG.

2-3. Mechanical:

- 2-3-1. Wire retention force: 1.2 Kg (min).
- 2-3-2. Operating temperature: -55°C to +105°C.
- 2-3-3. Solderability: 95% coverage (min).

THIS DRAWING IS A CONTROLLED DOCUMENT.		DWN S SCHLEGEL	5/6/05	STE TE Connectivity		
DIMENSIONS: mm		CHK C RICHARD	5/6/05			
TOLERANCES UNLESS OTHERWISE SPECIFIED:		APVD C RICHARD	5/6/05	NAME TERMINAL BLOCK, BOARD MT. SCREWLESS, SIDE WIRE ENTRY, 5.0mm PITCH		
0 PLC \pm -		PRODUCT SPEC		-		
1 PLC \pm 0.3		APPLICATION SPEC		-		
2 PLC \pm 0.25		WEIGHT		-		
3 PLC \pm -		RESTRICTED CUSTOMER		-		
4 PLC \pm -		SCALE		NTS		
ANGLES \pm -		SHEET		2 OF 2		
MATERIAL		FINISH		DRAWING NO		RESTRICTED TO
-		-		A3 00779 C-1776261		-
		REV		A		

Mouser Electronics

Authorized Distributor

Click to View Pricing, Inventory, Delivery & Lifecycle Information:

[TE Connectivity:](#)

[1776261-4](#)