

ALUMINUM ELECTROLYTIC CAPACITORS



Premium Grade Type, For Audio Equipment



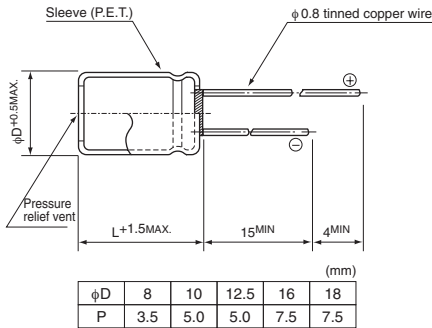
- Premium grade “nichicon MUSE” acoustic series.
- Ideally suited for first class audio equipment where qualitative and quantitative comfortableness is required.
- Compliant to the RoHS directive (2011/65/EU).



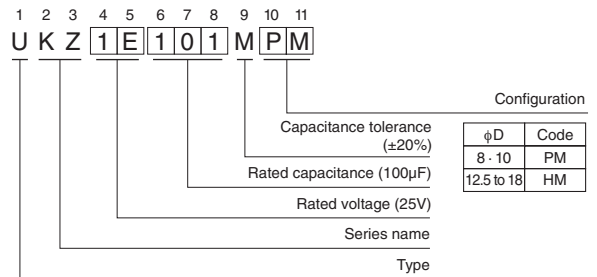
Specifications

| Item | Performance Characteristics | | | |
|-------------------------------|--|-----------------|--------------------|---|
| Category Temperature Range | -40 to +85°C | | | |
| Rated Voltage Range | 25 to 100V | | | |
| Rated Capacitance Range | 10 to 1000µF | | | |
| Capacitance Tolerance | ±20% at 120Hz, 20°C | | | |
| Leakage Current | After 1 minute's application of rated voltage at 20°C, leakage current is 0.01CV or less. | | | |
| Tangent of loss angle (tan δ) | Measurement frequency : 120Hz at 20°C | | | |
| | Rated voltage (V) | 25 | 50 | 100 |
| Stability at Low Temperature | Measurement frequency : 120Hz | | | |
| | Rated voltage (V) | 25 | 50 | 100 |
| | Impedance ratio ZT / Z20 (MAX.) | Z-25°C / Z+20°C | 2 | 2 |
| Endurance | The specifications listed at right shall be met when the capacitors are restored to 20°C after the rated voltage is applied for 1000 hours at 85°C. | | Capacitance change | Within ±20% of the initial capacitance value |
| | | | tan δ | 150% or less than the initial specified value |
| Shelf Life | | | Leakage Current | Less than or equal to the initial specified value |
| | After storing the capacitors under no load at 85°C for 1000 hours and then performing voltage treatment based on JIS C 5101-4 clause 4.1 at 20°C, they shall meet the specified values for the endurance characteristics listed above. | | | |
| Marking | Printed with gold color letter on black sleeve. | | | |

Radial Lead Type



Type numbering system (Example : 25V 100µF)



• Please refer to page 20 about the end seal configuration.

Dimensions

| Cap.(µF) | Code | φD × L (mm) | | |
|----------|------|-------------|-----------|-----------|
| | | 25 | 50 | 100 |
| 10 | 100 | 1E | 1H | 2A |
| 22 | 220 | | 8 × 11.5 | 10 × 16 |
| 33 | 330 | 8 × 11.5 | 10 × 12.5 | 10 × 20 |
| 47 | 470 | 10 × 12.5 | 10 × 16 | 12.5 × 20 |
| 100 | 101 | 10 × 16 | 12.5 × 20 | 16 × 25 |
| 220 | 221 | 12.5 × 20 | 16 × 25 | 16 × 35.5 |
| 330 | 331 | 12.5 × 25 | 16 × 31.5 | 18 × 35.5 |
| 470 | 471 | 16 × 25 | 16 × 35.5 | |
| 1000 | 102 | 16 × 35.5 | 18 × 40 | |

Please refer to page 20, 21, 22 about the formed or taped product spec.
Please refer to page 4 for the minimum order quantity.

Mouser Electronics

Authorized Distributor

Click to View Pricing, Inventory, Delivery & Lifecycle Information:

Nichicon:

[UKZ1E221MHB](#) [UKZ1E471MHB](#) [UKZ1E101MPM](#) [UKZ1E102MHM](#) [UKZ1E221MHM](#) [UKZ1E330MPM](#)
[UKZ1E331MHM](#) [UKZ1E470MPM](#) [UKZ1E471MHM](#) [UKZ1H101MHM](#) [UKZ1H102MHM](#) [UKZ1H221MHM](#)
[UKZ1H330MPM](#) [UKZ1H331MHM](#) [UKZ1H470MPM](#) [UKZ1H471MHM](#) [UKZ2A100MPM](#) [UKZ2A101MHM](#)
[UKZ2A220MPM](#) [UKZ2A221MHM](#) [UKZ2A330MPM](#) [UKZ2A331MHM](#) [UKZ2A470MHM](#) [UKZ1H220MPM](#)
[UKZ1E330MPM1TD](#) [UKZ1E101MPM1TD](#) [UKZ1H101MHM1TO](#) [UKZ1H470MPM1TD](#) [UKZ2A100MPM1TD](#)
[UKZ1E470MPM1TD](#) [UKZ2A100MPM1TA](#) [UKZ2A101MHM1TN](#)