

THE INFORMATION CONTAINED HEREIN IS CONSIDERED "PROPRIETARY" TO BEL FUSE INC. AND SHALL NOT BE COPIED, REPRODUCED OR DISCLOSED WITHOUT THE WRITTEN APPROVAL OF BEL FUSE INC.

RoHS
2002/95/EC



ELECTRICAL CHARACTERISTICS @ 25°C

URNS RATIO

TP1	1CT : 1CT ±2%
TP2	1CT : 1CT ±2%
TP3	1CT : 1CT ±2%
TP4	1CT : 1CT ±2%

DCL @ 100kHz/100mVRMS

8mA DC BIAS 350µH MIN.

INS. LOSS

0.1MHz TO 1MHz	-1.1 dB MAX
1MHz TO 65MHz	-0.5 dB MAX
65MHz TO 100MHz	-0.8 dB MAX
100MHz TO 125MHz	-1.2 dB MAX

RET. LOSS (MIN)

0.5MHz-40MHz	-18 dB
40MHz-100MHz	-12+20LOG(f/80MHz) dB

CM TO CM REJ

100kHz - 100MHz -30 dB MIN

CM TO DM REJ

100kHz - 100MHz -35 dB MIN

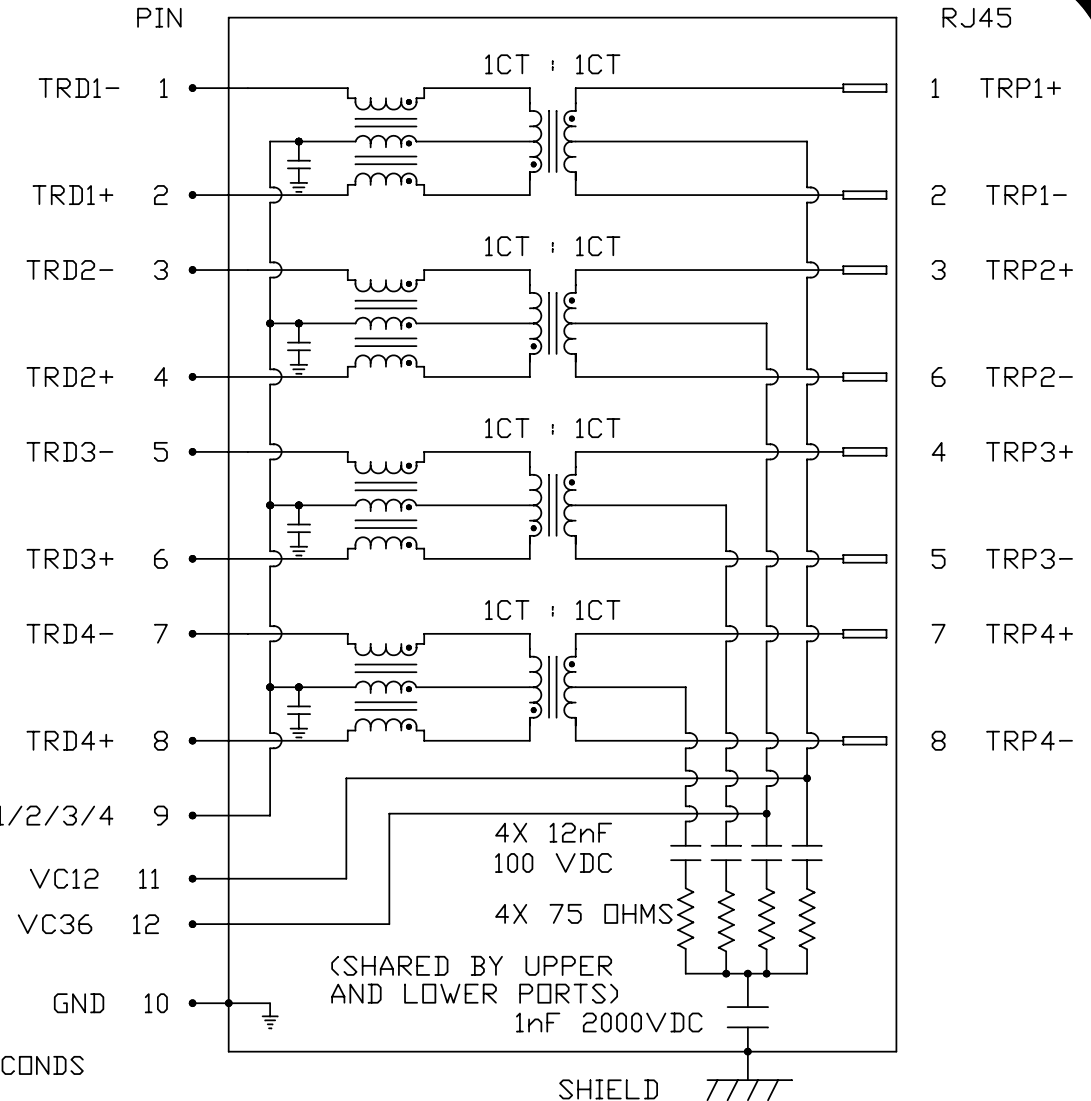
HIPOT (Isolation Voltage):

2250 VDC
100% OF PRODUCTION TESTED TO COMPLY WITH
IEEE 802.3 ISOLATION REQUIREMENTS.

BALANCED DC LINE CURRENT

350 mA MAX.
@ 57 VDC CONTINUOUS
500 mA MAX.
@ 57 VDC for 200 MILLISECONDS

SCHEMATIC



ORIGINATED BY CHOW WANGCHUNG	DATE 10-20-10
DRAWN BY TAN QIGUANG	DATE 10-20-10

TITLE 2X4 gigabit MagJack® PoE 0854-2X4R-66-F PATANTED

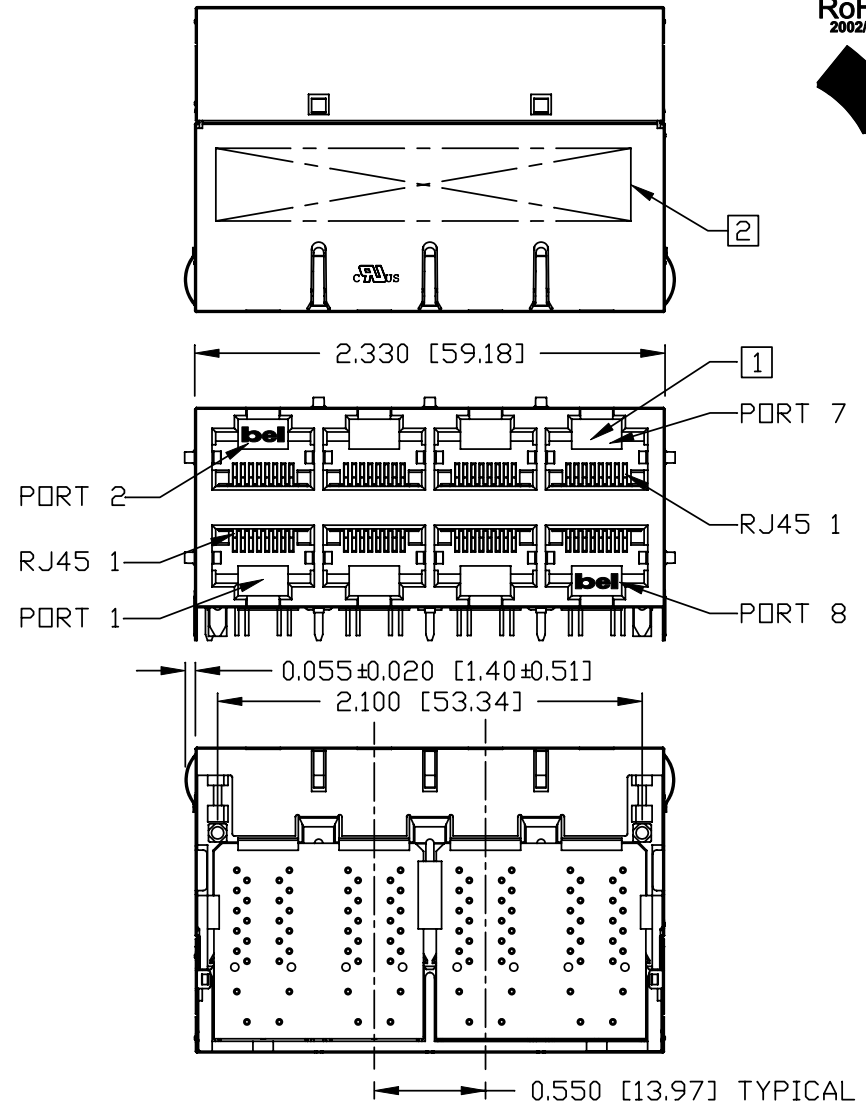
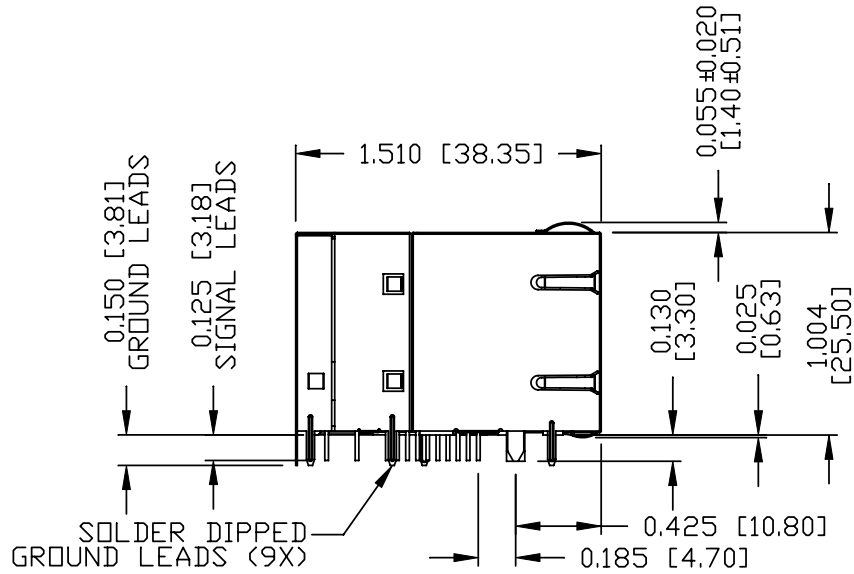
PART NO. / DRAWING NO. 08542X4R66-F
FILE NAME 08542X4R66-F_C.DWG

STANDARD DIM. TOL. IN INCH	[] METRIC DIM. AS REFERENCE
.X	
.XX	
.XXX	

UNIT : INCH [mm]	REV. : C
SCALE : N/A	SIZE : A4
	PAGE : 2



THE INFORMATION CONTAINED HEREIN IS CONSIDERED "PROPRIETARY" TO BEL FUSE INC. AND SHALL NOT BE COPIED, REPRODUCED OR DISCLOSED WITHOUT THE WRITTEN APPROVAL OF BEL FUSE INC.



NOTES:

- PLASTIC HOUSING: THERMOPLASTIC PBT
FLAMMABILITY RATING UL 94V-0
- CONTACT PLATING: 50 MICRO-INCH HARD GOLD PLATING
- OUTPUT PINS: TIN-COATED COPPER WIRE, DIA 0.018 INCH.
- METAL SHIELD: NICKEL PLATED ON COPPER ALLOY.
(ALL GROUND LEADS ARE SOLDER DIPPED)

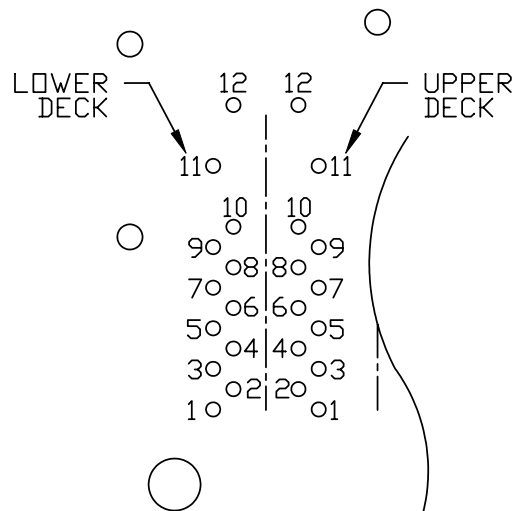
- [1] JACK CAVITY CONFORMS TO FCC RULES AND REGULATIONS, PART 68 SUBPART F.
- [2] MARK PART WITH MFG LOGO, NAME, PART NUMBER, DATE CODE AND PATENTED.

UL US UL RECOGNIZED - FILE #E196366 AND E169987.
3, RoHS COMPLIANCE, PER EU DIRECTIVE 2002/95/EC.

4. THE PRODUCT IS PATENTED, THE PATENT NUMBER ARE U.S. PAT. 5,736,910 AND U.S. PAT. 6,840,817 AND U.S. PAT. 7,123,117.

ORIGINATED BY CHEN BILL	DATE 10-20-10	TITLE 2X4 gigabit MagJack® PoE 0854-2X4R-66-F PATANTED	PART NO. / DRAWING NO. 08542X4R66-F	STANDARD DIM. TOL. IN INCH		[] METRIC DIM. AS REFERENCE		REV. : C	bel
				.X		UNIT : INCH [mm]	SCALE : N/A		
DRAWN BY XIAN JIAXIN	DATE 10-20-10		FILE NAME 08542X4R66-F_C.DWG	.XX					COMPONENTS FOR A CONNECTED PLANET
				.XXX	±0.010			PAGE : 3	

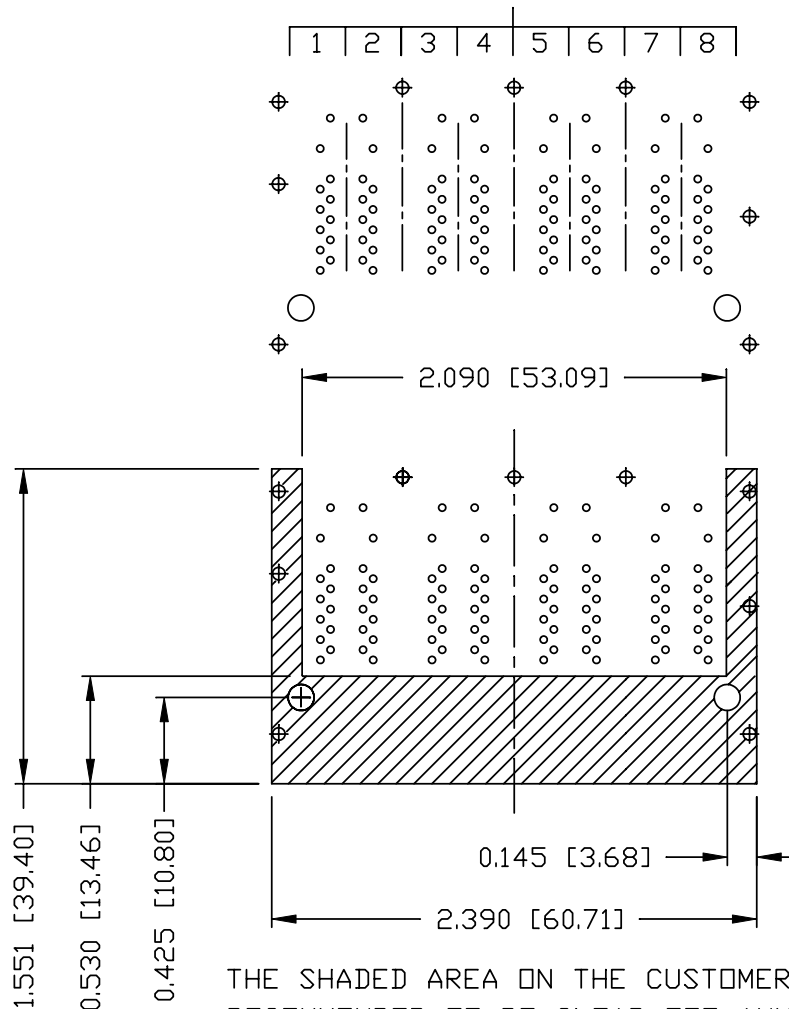
THE INFORMATION CONTAINED HEREIN IS CONSIDERED "PROPRIETARY" TO BEL FUSE INC. AND SHALL NOT BE COPIED, REPRODUCED OR DISCLOSED WITHOUT THE WRITTEN APPROVAL OF BEL FUSE INC.



PIN-OUT INFORMATION
(COMPONENT SIDE VIEW)

12	VC36
11	VC12
10	GND
9	TRCT1/2/3/4
8	TRD 4+
7	TRD 4-
6	TRD 3+
5	TRD 3-
4	TRD 2+
3	TRD 2-
2	TRD 1+
1	TRD 1-

PORT ASSIGNMENT
(COMPONENT SIDE VIEW)



THE SHADED AREA ON THE CUSTOMER BOARD ARE RECOMMENDED TO BE CLEAR OFF ANY VIA HOLE OR COMPONENT PAD.

ORIGINATED BY	DATE
CHEN BILL	10-20-10
DRAWN BY	DATE
XIAN JIAXIN	10-20-10

TITLE	2X4 gigabit MagJack® PoE 0854-2X4R-66-F PATANTED
-------	---

PART NO. / DRAWING NO.	08542X4R66-F
FILE NAME	08542X4R66-F_C.DWG

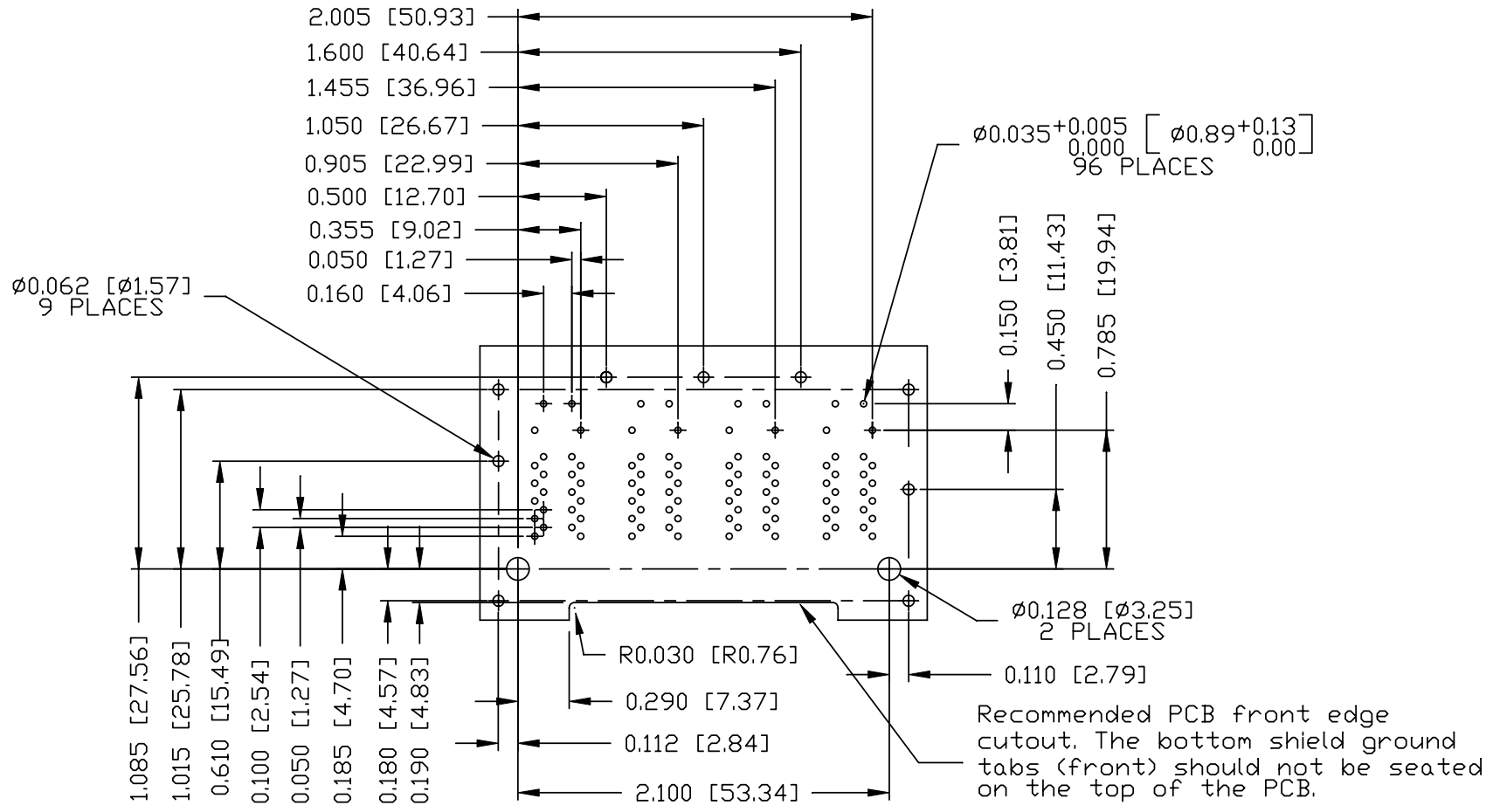
STANDARD DIM. TOL. IN INCH	[] METRIC DIM. AS REFERENCE
.X	UNIT : INCH [mm]
.XX	SCALE : N/A
.XXX	±0.004

REV. : C	SIZE : A4
PAGE : 4	



THE INFORMATION CONTAINED HEREIN IS CONSIDERED "PROPRIETARY" TO BEL FUSE INC. AND SHALL NOT BE COPIED, REPRODUCED OR DISCLOSED WITHOUT THE WRITTEN APPROVAL OF BEL FUSE INC.

RoHS
2002/95/EC



SUGGESTED FOOTPRINT
(COMPONENT SIDE VIEW)

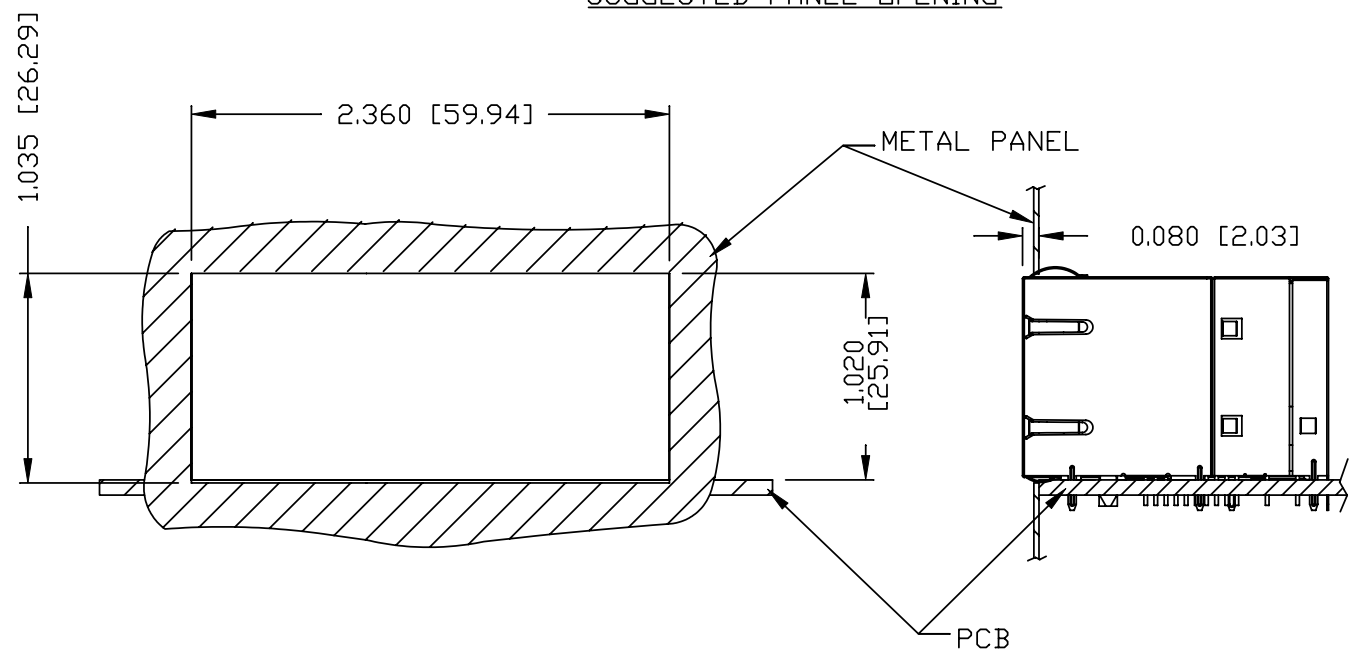
ORIGINATED BY CHEN BILL	DATE 10-20-10	TITLE 2X4 glgabit MagJack® PoE 0854-2X4R-66-F PATANTED	PART NO. / DRAWING NO. 08542X4R66-F		STANDARD DIM. TOL. IN INCH		[] METRIC DIM. AS REFERENCE	
			FILE NAME 08542X4R66-F_C.DWG		.X .XX .XXX	±0.004	UNIT : INCH [mm]	REV. : C
DRAWN BY XIAN JIAXIN	DATE 10-20-10						SCALE : N/A	SIZE : A4
								PAGE : 5



THE INFORMATION CONTAINED HEREIN IS CONSIDERED "PROPRIETARY" TO BEL FUSE INC. AND SHALL NOT BE COPIED, REPRODUCED OR DISCLOSED WITHOUT THE WRITTEN APPROVAL OF BEL FUSE INC.



SUGGESTED PANEL OPENING



NOTE:

THE DISTANCE OF PANEL INSIDE SURFACE RELATIVE TO FRONT SURFACE OF PART IS ONLY A SUGGESTION. IN CASE THIS DISTANCE IS DIFFERENT, THE REQUIRED PANEL OPENING DIMENSIONS CHANGE ACCORDINGLY.

PACKING INFORMATION

PACKING TRAY : 0200-9999-G2 (TOP)
0200-9999-G3 (BOTTOM)

PACKING QUANTITY : 20 PCS FINISHED GOODS PER TRAY.
5 TRAYS (100 PCS FINISHED GOODS) PER CARTON BOX.

NOTE : CARDBOARDS ARE PLACED BETWEEN LAYERS OF PACKING TRAY INSIDE CARTON BOX.
(INCLUDE THE UPPERMOST AND LOWERMOST TRAY)

ORIGINATED BY CHEN BILL	DATE 10-20-10	TITLE 2X4 gigabit MagJack® PoE 0854-2X4R-66-F PATANTED	PART NO. / DRAWING NO. 08542X4R66-F	STANDARD DIM. TOL. IN INCH		[] METRIC DIM. AS REFERENCE		bel COMPONENTS FOR A CONNECTED PLANET
				.X		UNIT : INCH [mm]	REV. : C	
DRAWN BY XIAN JIAXIN	DATE 10-20-10		FILE NAME 08542X4R66-F_C.DWG	.XX		SCALE : N/A	SIZE : A4	PAGE : 6
				.XXX	±0.004			

Mouser Electronics

Authorized Distributor

Click to View Pricing, Inventory, Delivery & Lifecycle Information:

[Bel:](#)

[0826-1A4T-23-F](#) [0843-2B1T-33-F](#) [0813-1X1T-23-F](#) [S811-1X1T-A4-F](#) [0826-1A1T-23-F](#) [0826-1G1T-23-F](#) [0817-1A1T-11-F](#) [0826-1K1T-23-F](#) [0826-1X1T-23-F](#) [0833-2X4R-59-F](#) [L826-1X4T-23-F](#) [L826-1X1T-23-F](#) [0826-1G4T-23-F](#) [0833-2X1T-33-F](#) [08B0-1X1T-03-F](#) [0826-1C4T-23-F](#) [08B0-1XX1-03-F](#) [S811-1X1T-03-F](#) [0826-1D1T-23-F](#) [0833-2X8R-33-F](#) [0816-1X1T-23-F](#) [0826-1C1T-23-F](#) [0833-2X8R-59-F](#) [0854-2X4R-GK-F](#) [0854-2X4R-JD-F](#) [0843-2BIT-Y1-F](#) [0810-2H4R-28-F](#) [0838-1X1T-W6](#)