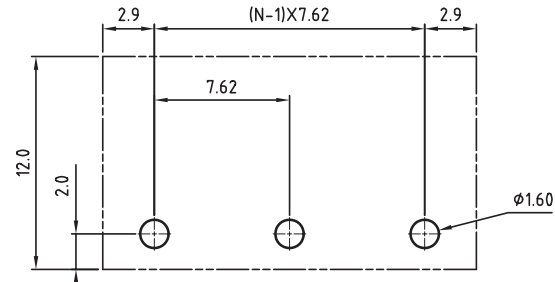
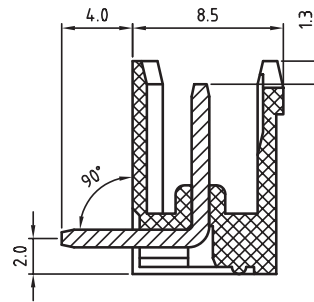


N=Number of contacts



PCB LAYOUT - COMPONENT VIEW

TECHNICAL CHARACTERISTICS

MATERIAL
 INSULATOR: PBT
 FLAMABILITY RATING: UL94-V0
 COLOR: GREEN
 CONTACT: BRASS
 SOLDER TAIL PLATING: TIN

ENVIRONMENTAL
 OPERATING TEMPERATURE: -40 UP TO 105°C
 COMPLIANCE: LEAD FREE AND ROHS

ELECTRICAL
 CURRENT RATING: 20A
 WORKING VOLTAGE: 300VAC
 WITHSTANDING VOLTAGE: 1.6KV
 CONTACT RESISTANCE: 20 mOhm max

STANDARD
 eULus CERTIFIED E315414 / MODEL NUMBER 3124

MECHANICAL
 PITCH: 7.62MM

SOLDERING: WAVE PROCESS ONLY

PACKAGING: BOX

SERIE 3124

RoHS Compliant

G			
F			
E			
D			
C			
B	16-OCT-09	STANDARD	JP
A	05-NOV-08	PDF	JP
REV	DATE	FILE	BY

PROJECTION:
APPROVAL: RJ

GENERAL TOLERANCE
.X = +/- 0.2
.XX = +/- 0.15
UNIT: MM
SCALE:
SHEET: 1/1
DRAW: MARVIN

<p>WÜRTH ELEKTRONIK</p>	
DESCRIPTION: SERIE 3124 - 7.62MM OPEN HORIZONTAL PCB HEADER WR-TBL	SIZE
WERI PART NO: 691 312 410 0xx	A4

Mouser Electronics

Authorized Distributor

Click to View Pricing, Inventory, Delivery & Lifecycle Information:

[Wurth Electronics:](#)

[691312410002](#) [691312410003](#) [691312410004](#) [691312410005](#) [691312410006](#) [691312410008](#)