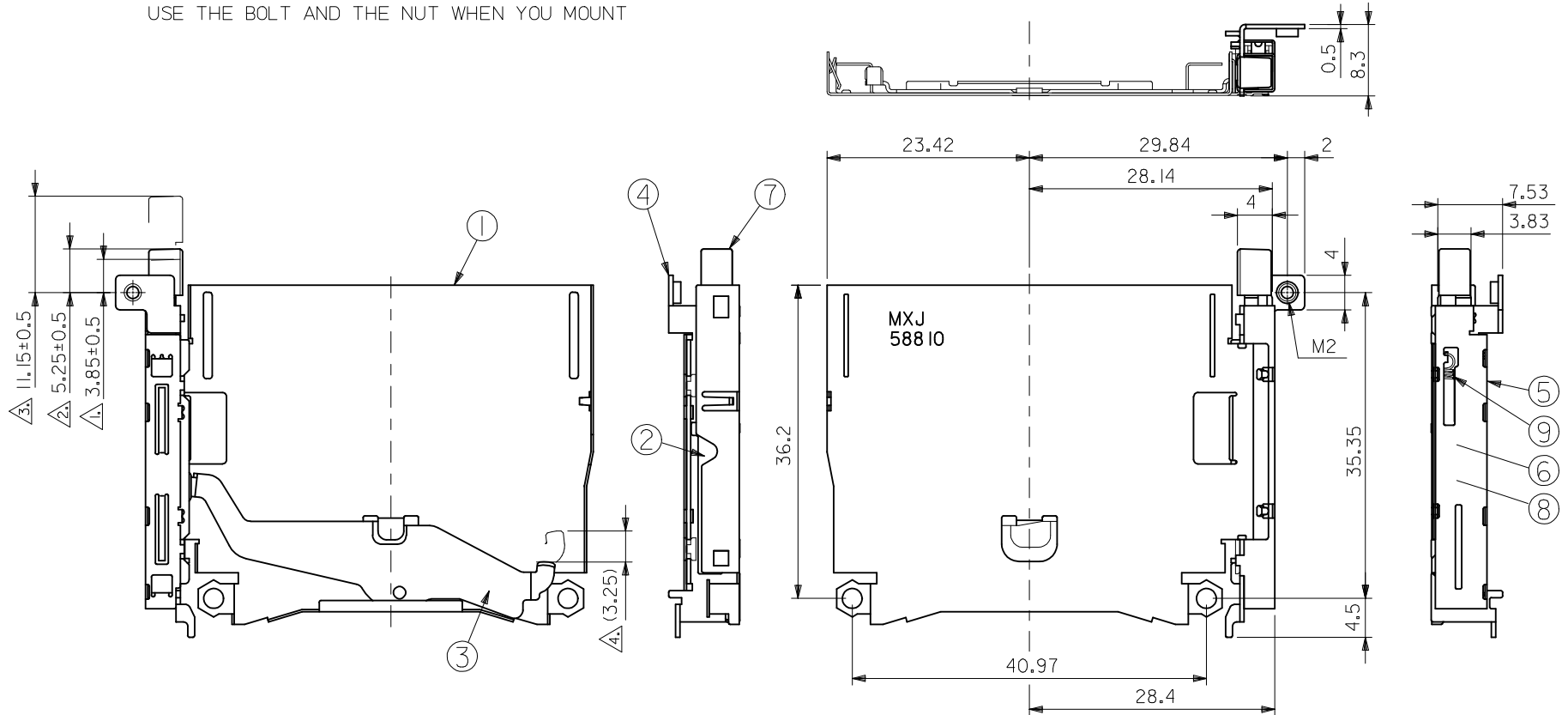
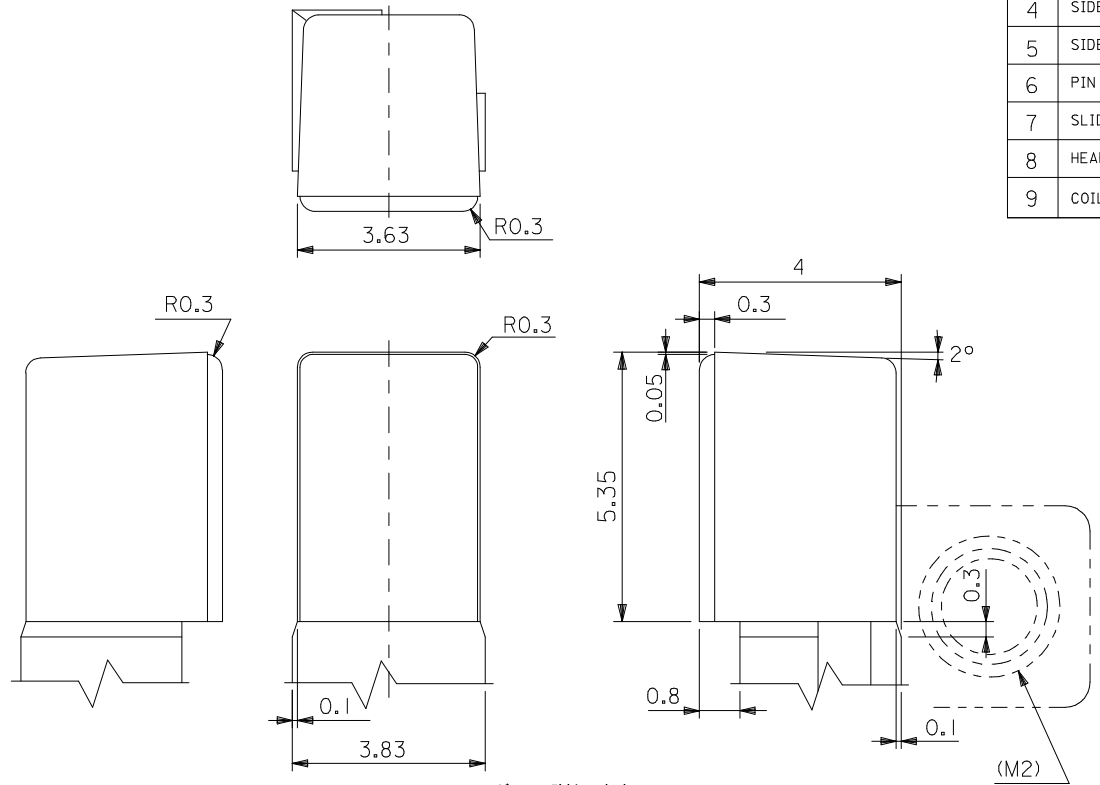


- 注) NOTES
- 1. ボタン・フルストローク位置。
BUTTON'S FULL STROKE POSITION.
 - 2. ボタン収納時位置。
BUTTON'S IN POSITION.
 - 3. ボタン突出時位置。
BUTTON'S OUT POSITION.
 - 4. イジェクト時、カード飛び出し量は(3.25)mm。
IN EJECTING OPERATION, CARD OUT BY (3.25)mm.
5. 実装時、ボルトとナットを使用すること
USE THE BOLT AND THE NUT WHEN YOU MOUNT



REVISED EC NO: J2013-1600 DRWN: FUJII 2013/07/11 CHKD: SAKIYAMA 2013/07/11 APPR: NUKITA 2013/07/11	GENERAL TOLERANCES (UNLESS SPECIFIED)		DIMENSION STYLE	SCALE	DESIGN UNITS	THIRD ANGLE PROJECTION
			MM ONLY	2:1	METRIC	
	DESCRIPTION	10 UNDER	±0.2	DRAWN BY	DATE	TITLE
	REV	10 OVER 30 UNDER	±0.25	THIRATA	1998/09/09	CF CARD CONN. EJECT MECHANISM EJECT ASS'Y molex DOCUMENT NO. SD-55364-002 SHEET NO. 1 OF 2
	30 OVER	±0.3	CHECKED BY	DATE		
	ANGULAR ±3 °		MSASAO	1998/09/09		
	DRAFT WHERE APPLICABLE MUST REMAIN WITHIN DIMENSIONS		APPROVED BY	DATE		
			HIKESUGI	1998/09/09		
			MATERIAL NO.	55364-0011		
			SIZE	A3		
			THIS DRAWING CONTAINS INFORMATION THAT IS PROPRIETARY TO MOLEX INCORPORATED AND SHOULD NOT BE USED WITHOUT WRITTEN PERMISSION			

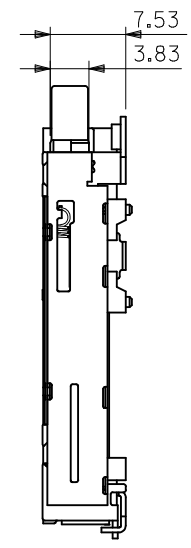
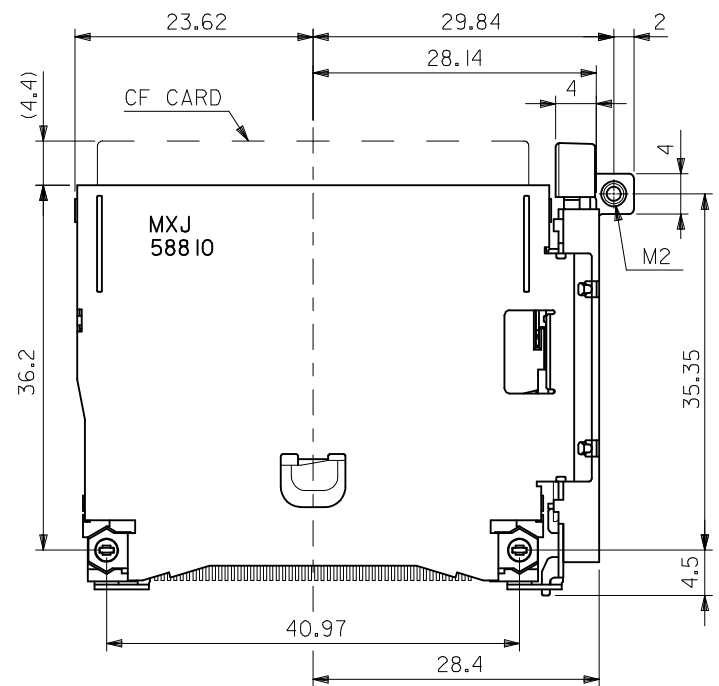
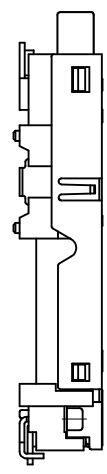
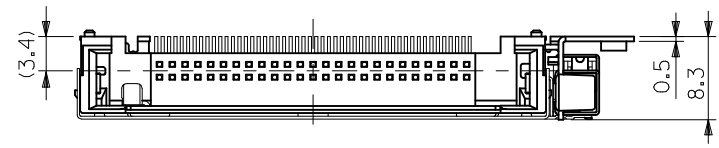
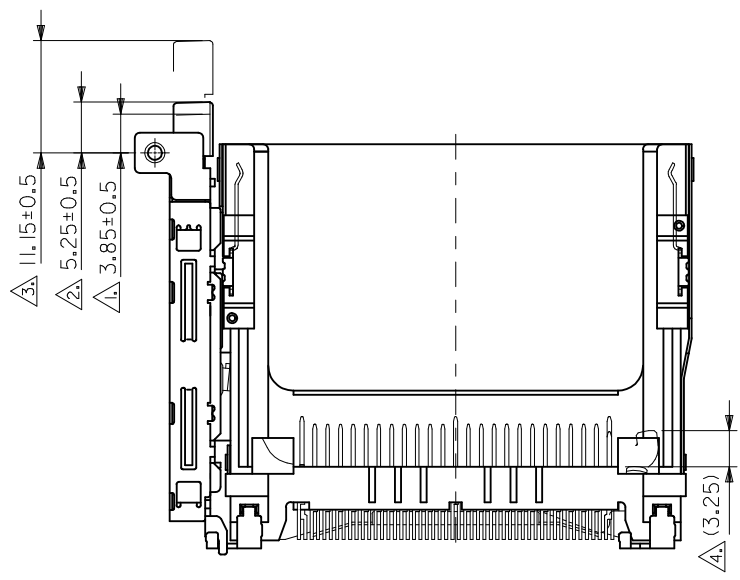
No.	品名 NAME	材料 MATERIAL	仕上り FINISH	個数 PIECE
1	METAL SHELL	ステンレス鋼 t0.25 STAINLESS STEEL t0.25	→	1
2	PUSH ROD	ステンレス鋼 t0.5 STAINLESS STEEL t0.5	→	1
3	LEVER	ステンレス鋼 t0.4 STAINLESS STEEL t0.4	→	1
4	SIDE PLATE	ステンレス鋼 t0.5 STAINLESS STEEL t0.5	→	1
5	SIDE COVER	ステンレス鋼 t0.25 STAINLESS STEEL t0.25	→	1
6	PIN PLATE	銅 STEEL	フッ素樹脂コーティング FLUORINE RESIN COATING	1
7	SLIDER	ポリカーボネート UL94V-0 色 : 黒色 POLYCARBONATE UL94V-0 COLOR: BLACK	→	1
8	HEART CAM	ポリカーボネート UL94V-0 色 : 黒色 POLYCARBONATE UL94V-0 COLOR: BLACK	→	1
9	COIL SPRING	ステンレス鋼 ϕ 0.22 STAINLESS STEEL ϕ 0.22	→	1



ボタン詳細寸法
DETAIL OF BUTTON

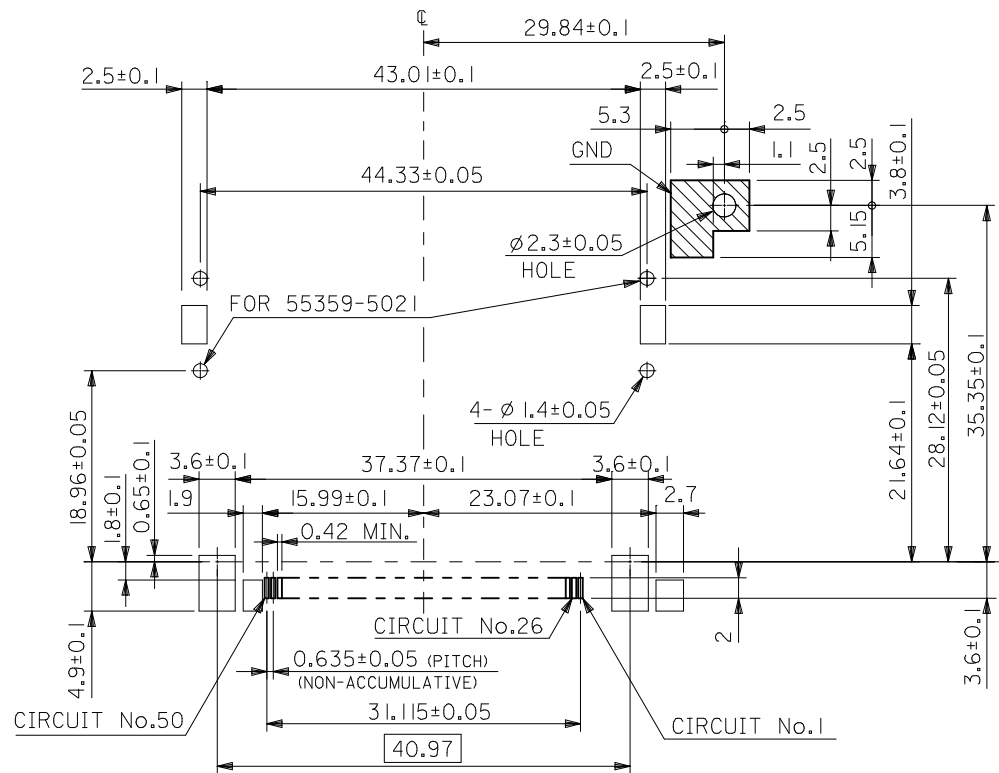
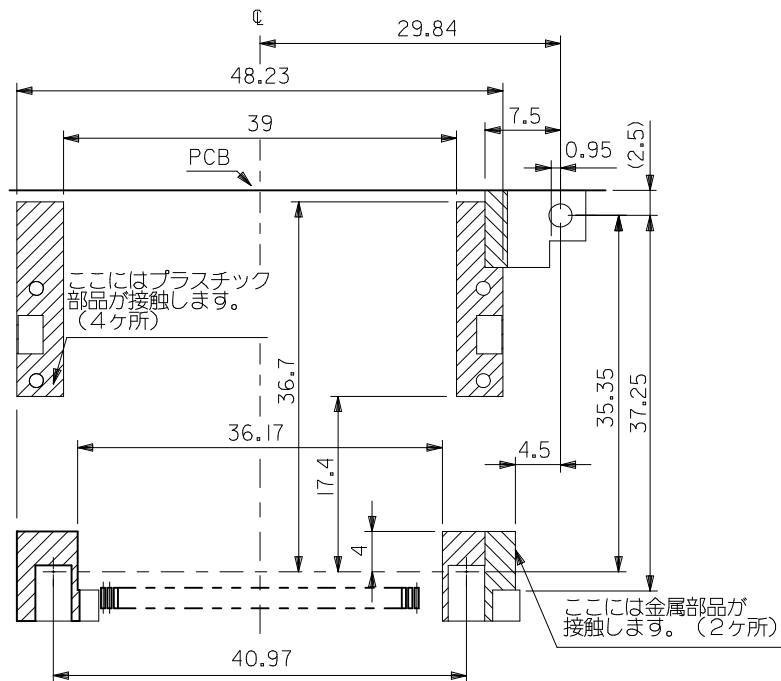
REVISED EC NO: J2013-1600 DRWN: FUJII 2013/07/11 CHKD: SAKIYAMA 2013/07/11 APPR: NUKITA 2013/07/11	GENERAL TOLERANCES (UNLESS SPECIFIED)		DIMENSION STYLE MM ONLY		SCALE 2:1	DESIGN UNITS METRIC	THIRD ANGLE PROJECTION
	10 UNDER	±0.2	DRAWN BY THIRATA	DATE 1998/09/09	TITLE CF CARD CONN. EJECT MECHANISM EJECT ASS'Y molex		
	10 OVER 30 UNDER	±0.25	CHECKED BY MSASAO	DATE 1998/09/09			
	30 OVER	±0.3	APPROVED BY HIKESUGI	DATE 1998/09/09			
1	DESCRIPTION ANGULAR ±3 ° DRAFT WHERE APPLICABLE MUST REMAIN WITHIN DIMENSIONS	MATERIAL NO. 55364-0011	DOCUMENT NO. SD-55364-002		SHEET NO. 2 OF 2		
THIS DRAWING CONTAINS INFORMATION THAT IS PROPRIETARY TO MOLEX INCORPORATED AND SHOULD NOT BE USED WITHOUT WRITTEN PERMISSION							

- 注) NOTES
- 1. ボタン・フルストローク位置。
BUTTON'S FULL STROKE POSITION.
 - 2. ボタン収納時位置。
BUTTON'S IN POSITION.
 - 3. ボタン突出時位置。
BUTTON'S OUT POSITION.
 - 4. イジェクト時、カード飛び出し量は(3.25)mm。
IN EJECTING OPERATION, CARD OUT BY (3.25)mm.



EJECT ASS'Y	55364-0011
MATERIAL No.	

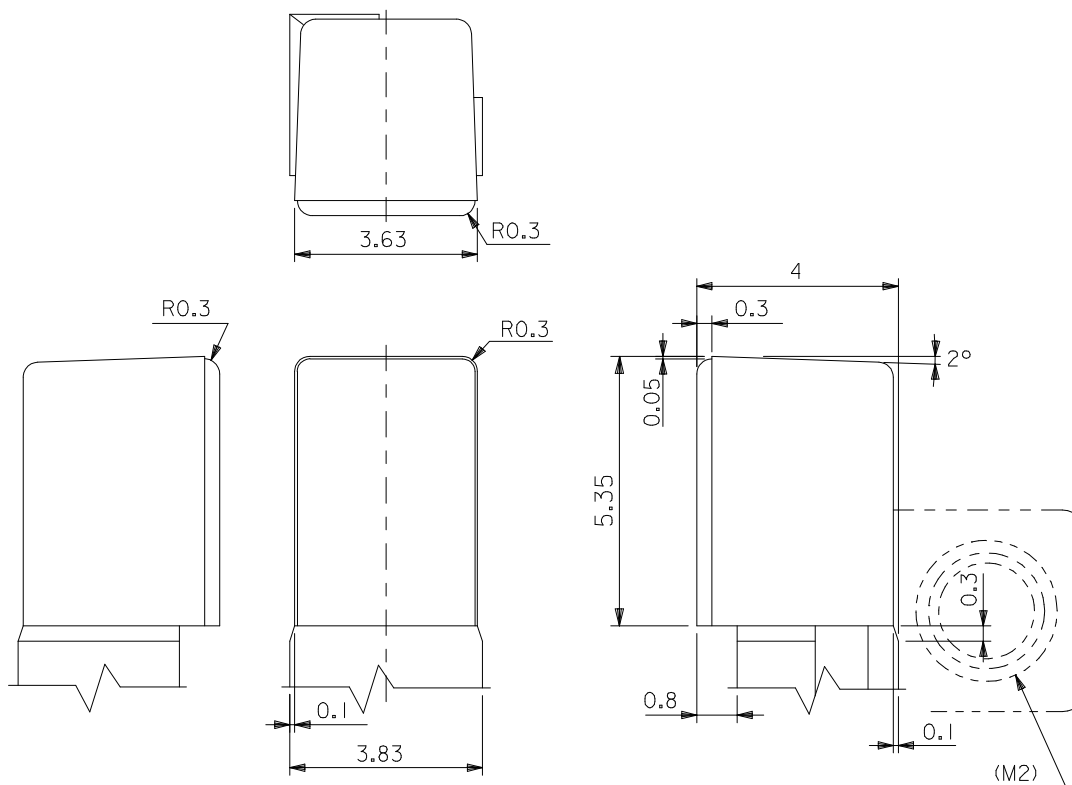
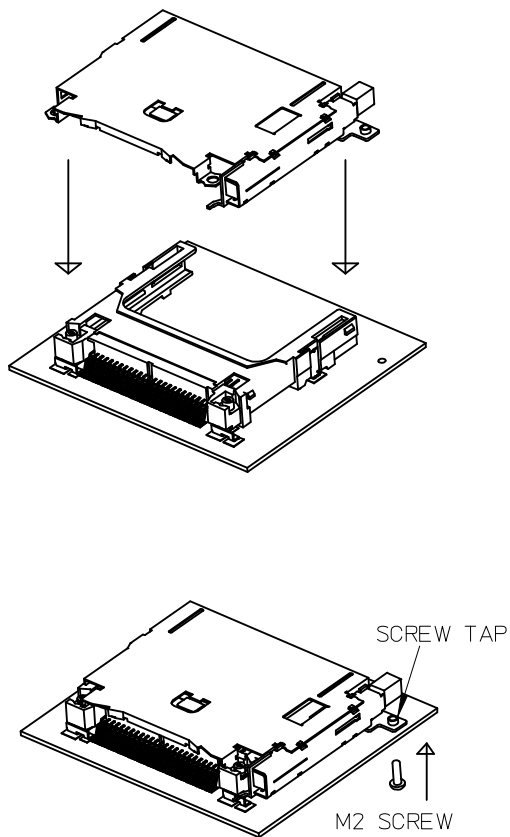
REVISED EC NO.: J2014-0509 DRWN: YSEDA 2013/09/19 CHKD: ASHIMOTSU 2013/09/19 APPR: NUKITA 2013/10/01	GENERAL TOLERANCES (UNLESS SPECIFIED)		DIMENSION STYLE	SCALE	DESIGN UNITS	THIRD ANGLE PROJECTION CF CARD CONN. EJECT MECHANISM (TYPE I/II NORMAL) molex DOCUMENT NO. SD-55364-003 SHEET NO. 1 OF 3
			MM ONLY	2:1	METRIC	
	10 UNDER	±0.2	DRAWN BY	DATE	TITLE	
	10 OVER 30 UNDER	±0.25	THIRATA	1998/09/08		
		CHECKED BY	DATE			
30 OVER	±0.3	MSASAO	1998/09/08			
		APPROVED BY	DATE			
ANGULAR	±3 °	HIKESUGI	1998/09/08			
DRAFT WHERE APPLICABLE MUST REMAIN WITHIN DIMENSIONS		MATERIAL NO.	SEE TABLE			
		SIZE	THIS DRAWING CONTAINS INFORMATION THAT IS PROPRIETARY TO MOLEX INCORPORATED AND SHOULD NOT BE USED WITHOUT WRITTEN PERMISSION			



基板推奨寸法
RECOMMENDED P.C.B. LAYOUT

REVISED EC NO: J2014-0509 DRWN:YSENA 2013/09/19 CHKD:ASHIMOTSU 2013/09/19 APPR:NUKITA 2013/10/01	GENERAL TOLERANCES (UNLESS SPECIFIED)		DIMENSION STYLE MM ONLY	SCALE 2:1	DESIGN UNITS METRIC	THIRD ANGLE PROJECTION
	10 UNDER	±0.2	DRAWN BY THIRATA	DATE 1998/09/08	TITLE CF CARD CONN. EJECT MECHANISM (TYPE I/II NORMAL)	
	10 OVER 30 UNDER	±0.25	CHECKED BY MSASAO	DATE 1998/09/08		
	30 OVER	±3	APPROVED BY HIKESUGI	DATE 1998/09/08		
ANGULAR	±3 °	MATERIAL NO. SEE SHEET 1		DOCUMENT NO. SD-55364-003	SHEET NO. 2 OF 3	
DRAFT WHERE APPLICABLE MUST REMAIN WITHIN DIMENSIONS	THIS DRAWING CONTAINS INFORMATION THAT IS PROPRIETARY TO MOLEX INCORPORATED AND SHOULD NOT BE USED WITHOUT WRITTEN PERMISSION					

MOUNTING METHOD



ボタン詳細寸法
DETAIL OF BUTTON

REVISED EC NO: J2014-0509 DRWN:YSEDA 2013/09/19 CHKD:ASHIMOTSU 2013/09/19 APPR:NUKITA 2013/10/01	GENERAL TOLERANCES (UNLESS SPECIFIED)		DIMENSION STYLE MM ONLY	SCALE 10:1	DESIGN UNITS METRIC	THIRD ANGLE PROJECTION
	10 UNDER	±0.2	DRAWN BY THIRATA	DATE 1998/09/08	CF CARD CONN. EJECT MECHANISM (TYPE I/II NORMAL)	
	10 OVER 30 UNDER	±0.25	CHECKED BY MSASAO	DATE 1998/09/08		
	30 OVER	±0.3	APPROVED BY HIKESUGI	DATE 1998/09/08		
	ANGULAR ±3 °	DRAFT WHERE APPLICABLE MUST REMAIN WITHIN DIMENSIONS	MATERIAL NO. SEE SHEET1	DOCUMENT NO. SD-55364-003	SHEET NO. 3 OF 3	
			SIZE A3	THIS DRAWING CONTAINS INFORMATION THAT IS PROPRIETARY TO MOLEX INCORPORATED AND SHOULD NOT BE USED WITHOUT WRITTEN PERMISSION		