

THIS DRAWING IS UNPUBLISHED.

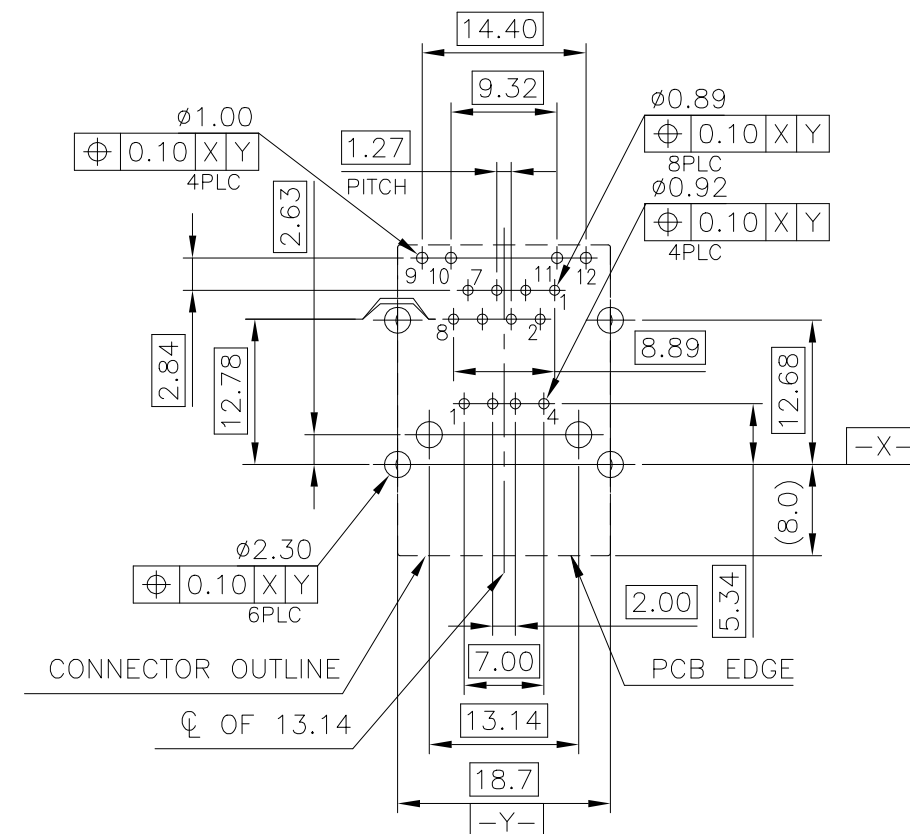
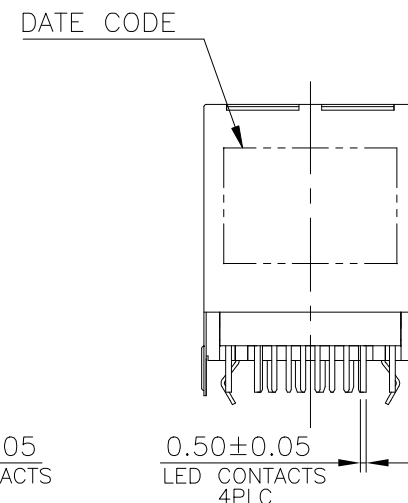
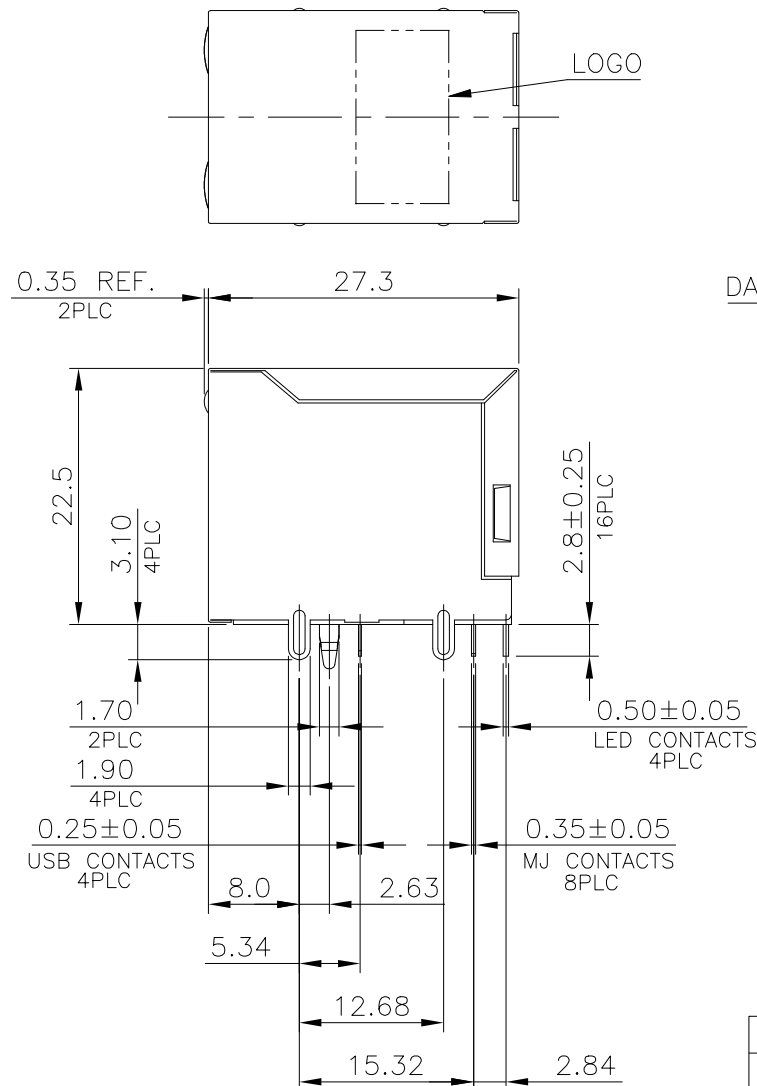
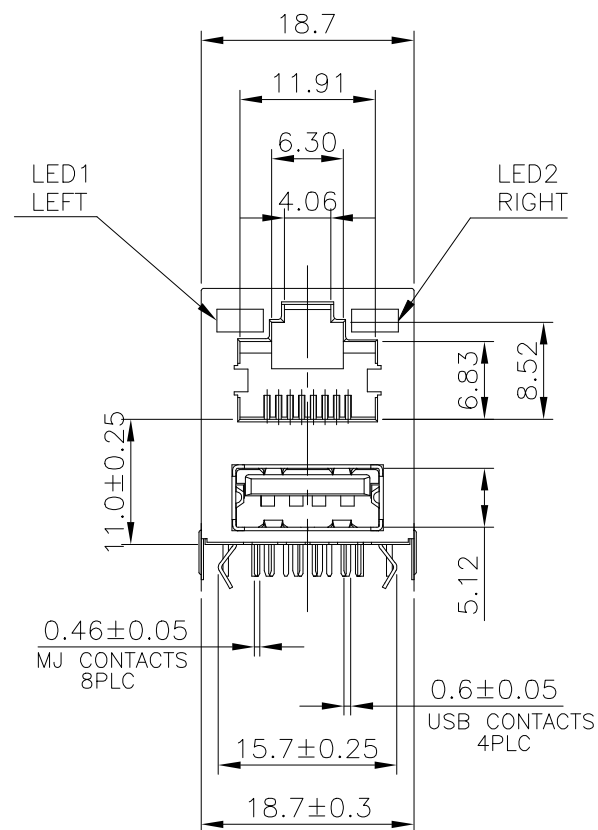
RELEASED FOR PUBLICATION

© COPYRIGHT - TE Connectivity Ltd.

ALL RIGHTS RESERVED.

REVISIONS

P	LTR	DESCRIPTION	DATE	DWN	APVD
-	-	SEE SHEET 1	-	-	-



RECOMMENDED PCB LAYOUT
 RECOMMENDED PCB THICKNESS: 1.6mm
 TOLERANCE: ±0.05 (TOP VIEW)

NOTE:

1. MATERIAL:

- 1.1 MJ HOUSING & LED COVER: PBT, WITH 30% GF, UL94V-0, BLACK COLOR.
- 1.2 MJ CONTACTS: PHOSPHOR BRONZE.
- 1.3 MJ SHIELD: BRASS.
- 1.4 LED SOLDER TAIL: EPOXY, STEEL.
- 1.5 USB HOUSING: PBT, UL94V-0, BLACK COLOR.
- 1.6 USB CONTACTS: BRASS.
- 1.7 USB SHIELD: SPCC.

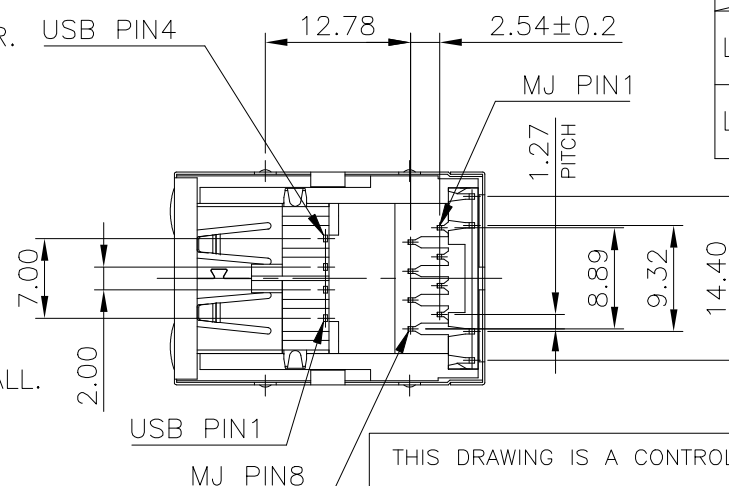
2. FINISH:

- 2.1 MJ CONTACTS:
GOLD FLASH PLATED ON CONTACT AREA,
GOLD FLASH ON SOLDER TAILS,
1.27um [50u"] MIN. NICKEL UNDERPLATED OVERALL.
- 2.2 MJ SHIELD: 0.508um [20u"] MIN. NICKEL PLATED.
- 2.3 LED SOLDER TAIL:
1.02um [40u"] COPPER UNDERPLATED OVERALL.
1.27um [50u"] NICKEL OVERALL.
1.27um [50u"] SILVER ON BONDING AREA.
2.54um [100u"] BRIGHT-TIN ON SOLDER AREA.
- 2.4 USB CONTACT: GOLD FLASH PLATED ON CONTACT AREA,
2.54um [100u"] MIN. BRIGHT-TIN PLATED ON SOLDER TAILS,
1.27um [50u"] MIN. NICKEL UNDERPLATED OVERALL.
- 2.5 USB SHIELD: 2.032um [80u"] MIN. NICKEL PLATED.

3. WAVE SOLDER CAPABLE TO 265°C PER TE CONNECTIVITY SPEC. 109-202, CONDITION B.

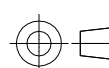
FOR 4-1775855-1			
LED ELECTRICAL CHARACTERISTIC			
	NODE	COLOR	
LED LEFT	9(+)	10(-)	ORANGE
	9(-)	10(+)	GREEN
LED RIGHT	11(+)	12(-)	ORANGE
	11(-)	12(+)	GREEN

FOR 4-1775855-2			
LED ELECTRICAL CHARACTERISTIC			
	NODE	COLOR	
LED LEFT	9(+)	10(-)	GREEN
	9(-)	10(+)	ORANGE
LED RIGHT	11(+)	12(-)	GREEN
	11(-)	12(+)	ORANGE



THIS DRAWING IS A CONTROLLED DOCUMENT.

DIMENSIONS: mm



MATERIAL SEE TABEL

TOLERANCES UNLESS OTHERWISE SPECIFIED:

0 PLC	± -
1 PLC	± 0.3
2 PLC	± 0.2
3 PLC	± 0.15
4 PLC	± -
ANGLES	± 3'
FINISH	-

DWN 12JUN2009

B. HSING

CHK 12JUN2009

S. CHIEN

APVD 12JUN2009

W. KODAMA

PRODUCT SPEC

108-57802

APPLICATION SPEC

-

WEIGHT -

CUSTOMER DRAWING

13.11	GREEN/ORANGE	GREEN	4-1775855-2
	ORANGE/GREEN	ORANGE/GREEN	4-1775855-1
WEIGHT (gram)	LEFT	RIGHT	PART NUMBER
	LED COLORS		

TE Connectivity Ltd.

NAME MODULAR JACK, RJ45, STACKED OVER, USB CONN., DIP TYPE

SIZE	CAGE CODE	DRAWING NO	RESTRICTED TO
A3	00779	1775855	-

SCALE 1:1 SHEET 2 of 5 REV E

THIS DRAWING IS UNPUBLISHED.

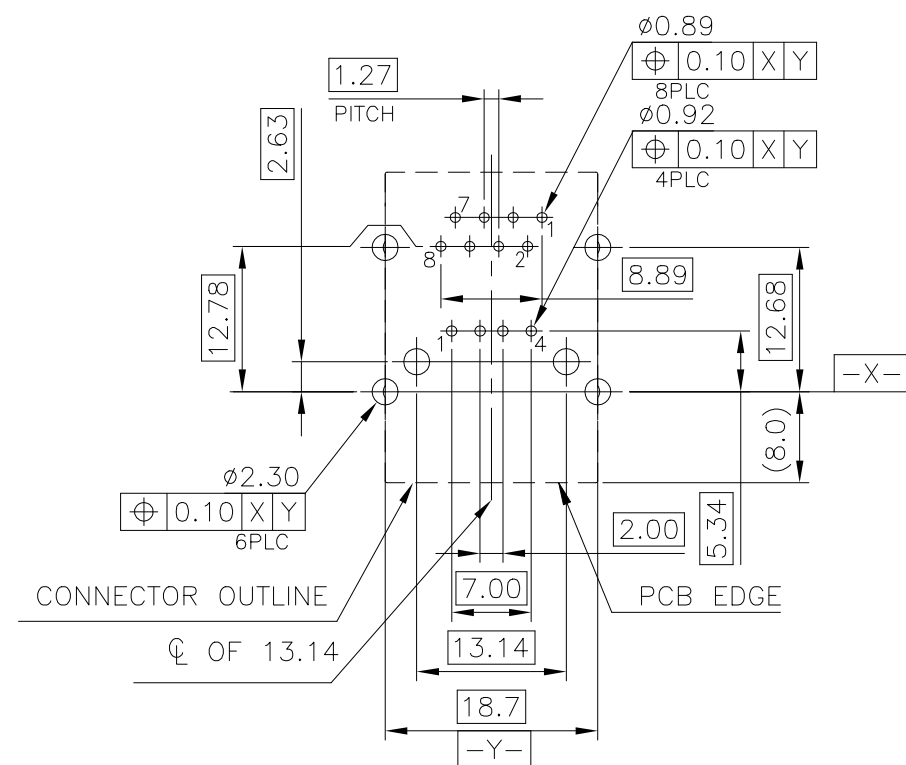
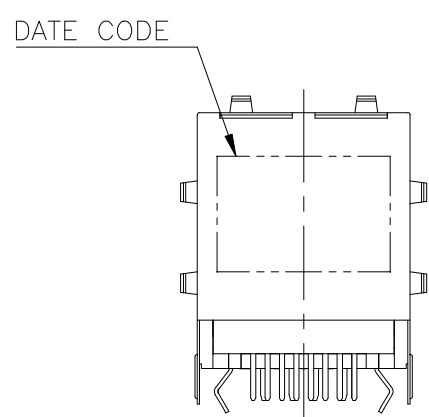
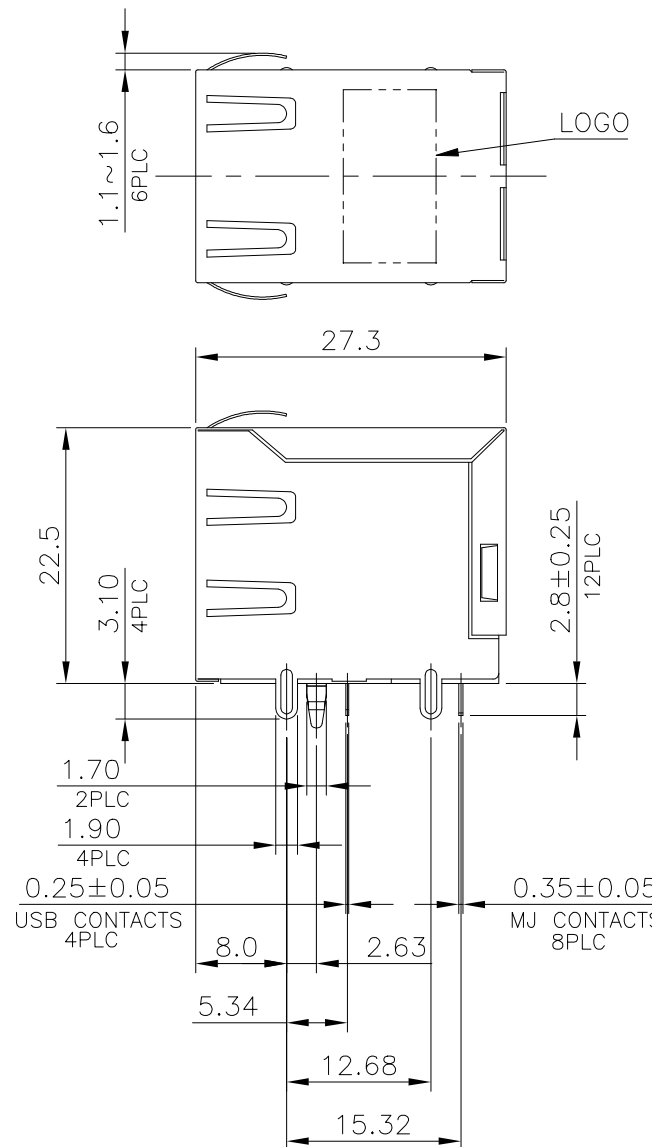
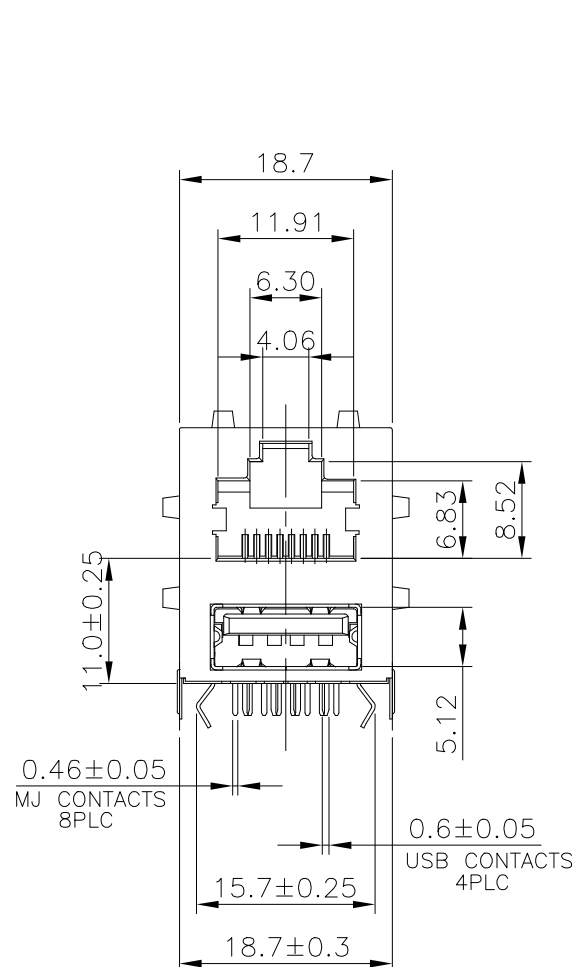
RELEASED FOR PUBLICATION

© COPYRIGHT - TE Connectivity Ltd.

ALL RIGHTS RESERVED.

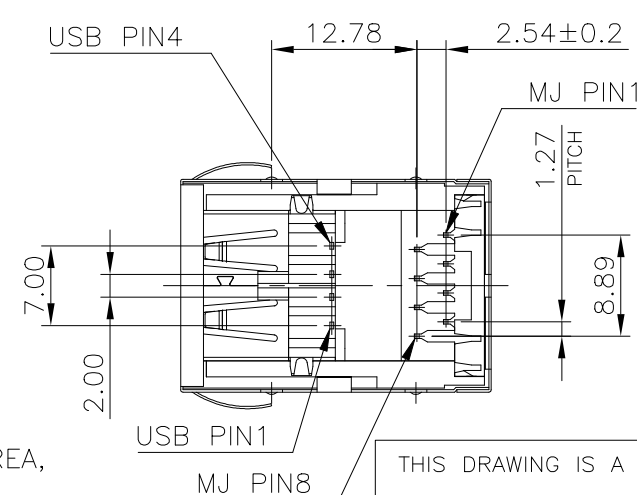
REVISIONS

P	LTR	DESCRIPTION	DATE	DWN	APVD
-	-	SEE SHEET 1	-	-	-



RECOMMENDED PCB LAYOUT
 RECOMMENDED PCB THICKNESS: 1.6mm
 TOLERANCE: ±0.05 (TOP VIEW)

- NOTE:
- MATERIAL:
 - MJ HOUSING: PBT, WITH 30% GF, UL94V-0, COLOR: SEE TABLE.
 - MJ CONTACTS: PHOSPHOR BRONZE.
 - MJ SHIELD: BRASS.
 - USB HOUSING: PBT, UL94V-0, COLOR: SEE TABLE.
 - USB CONTACTS: BRASS.
 - USB SHIELD: SPCC.
 - FINISH:
 - MJ CONTACTS: GOLD FLASH PLATED ON CONTACT AREA, GOLD FLASH ON SOLDER TAILS, 1.27um [50u"] MIN. NICKEL UNDERPLATED OVERALL.
 - MJ SHIELD: 0.508um [20u"] MIN. NICKEL PLATED.
 - USB CONTACT: GOLD FLASH PLATED ON CONTACT AREA, 2.54um [100u"] MIN. BRIGHT-TIN PLATED ON SOLDER TAILS, 1.27um [50u"] MIN. NICKEL UNDERPLATED OVERALL.
 - USB SHIELD: 2.032um [80u"] MIN. NICKEL PLATED.
 - WAVE SOLDER CAPABLE TO 265°C PER TE CONNECTIVITY SPEC. 109-202, CONDITION B.



12.69	5-1775855-1
WEIGHT (gram)	PART NUMBER

THIS DRAWING IS A CONTROLLED DOCUMENT.		DWN	12JUN2009		TE Connectivity Ltd.
		CHK	12JUN2009		
		APVD	12JUN2009		
		PRODUCT SPEC	108-57802		
DIMENSIONS: mm		TOLERANCES UNLESS OTHERWISE SPECIFIED:		NAME	
		0 PLC ± -		MODULAR JACK, RJ45, STACKED OVER, USB CONN., DIP TYPE	
		1 PLC ± 0.3		-	
		2 PLC ± 0.2		SIZE	
		3 PLC ± 0.15		CAGE CODE	
		4 PLC ± -		DRAWING NO	
		ANGLES ± 3'		RESTRICTED TO	
MATERIAL		FINISH		A3 00779 C=1775855	
SEE TABEL		-		SCALE 1:1	
		CUSTOMER DRAWING		SHEET 3 of 5	
				REV E	

THIS DRAWING IS UNPUBLISHED.

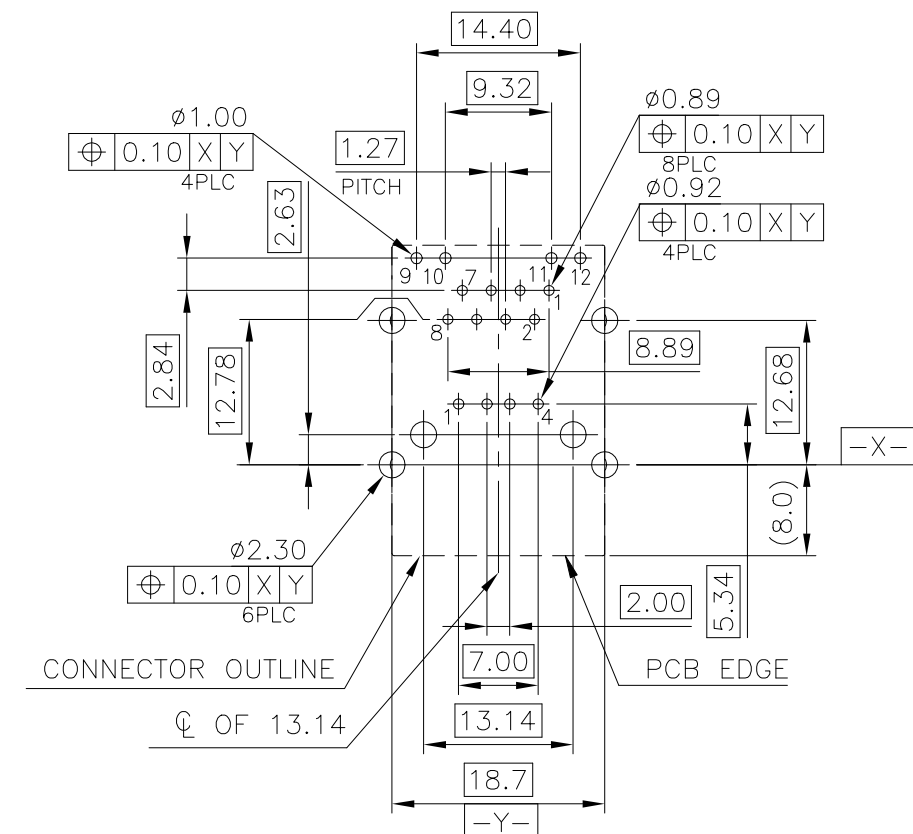
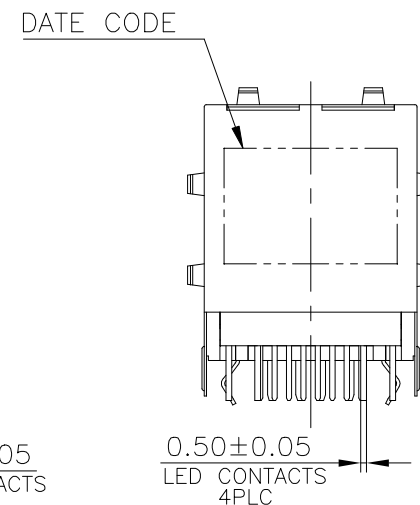
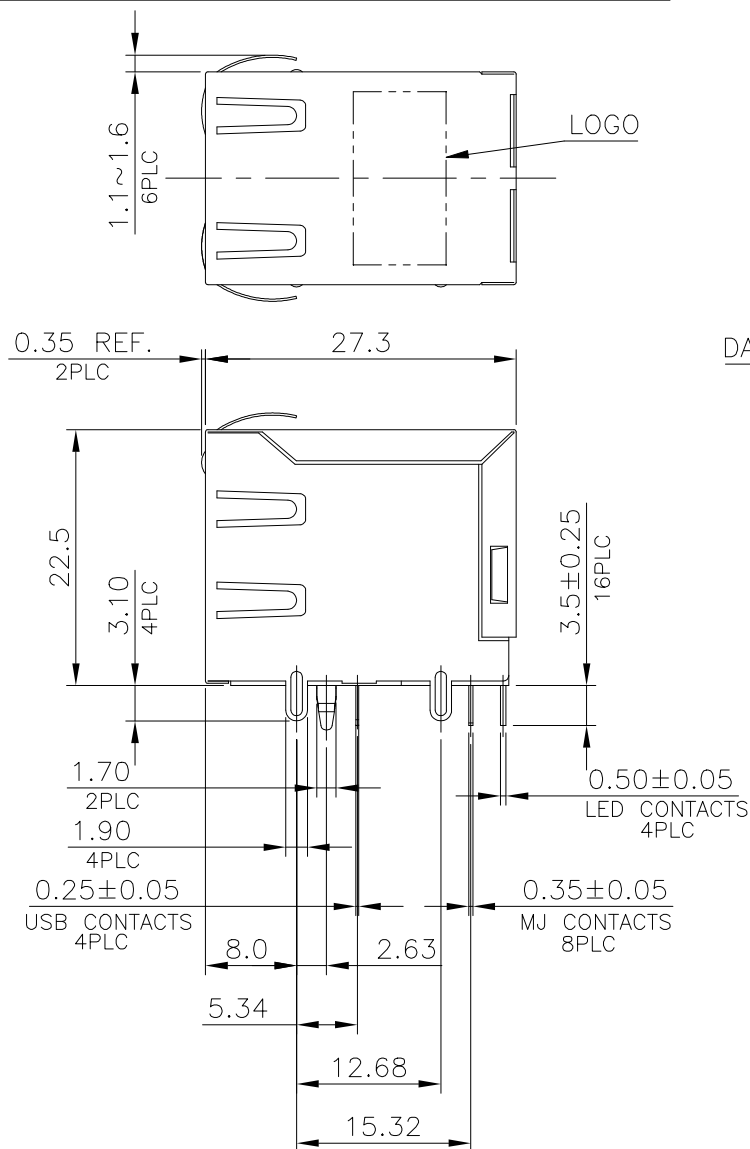
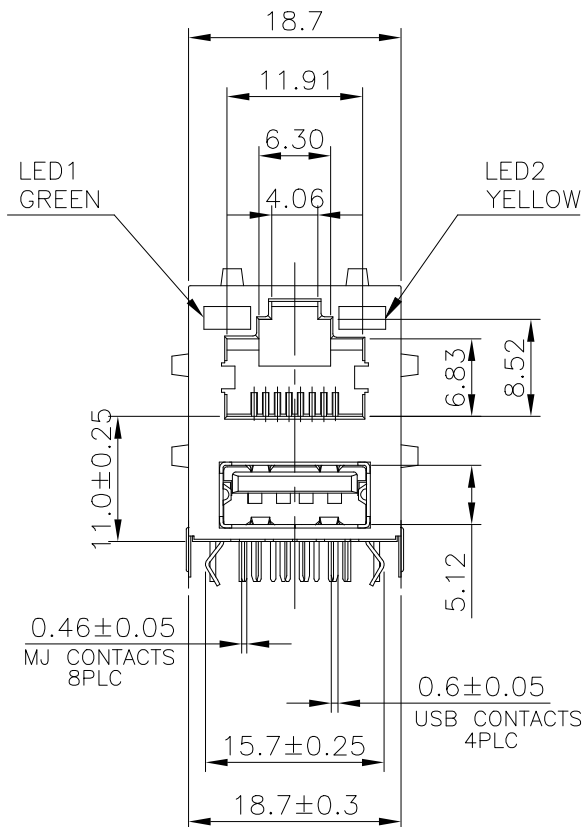
RELEASED FOR PUBLICATION

© COPYRIGHT - TE Connectivity Ltd.

ALL RIGHTS RESERVED.

REVISIONS

P	LTR	DESCRIPTION	DATE	DWN	APVD
-	-	SEE SHEET 1	-	-	-



RECOMMENDED PCB LAYOUT
 RECOMMENDED PCB THICKNESS: 1.6mm
 TOLERANCE: ±0.05 (TOP VIEW)

NOTE:

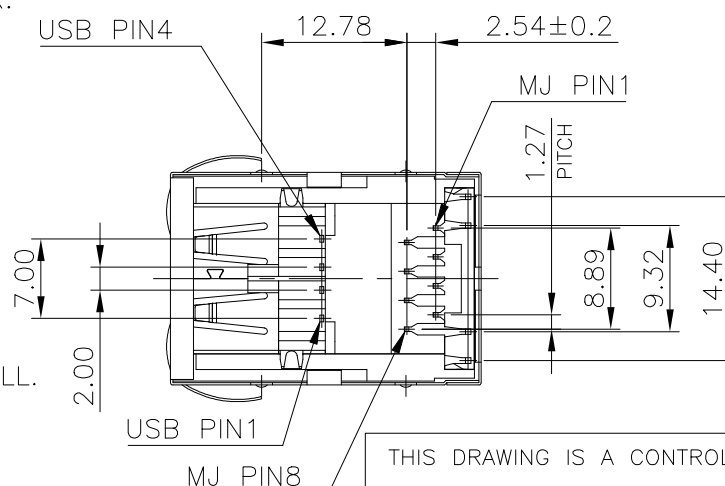
1. MATERIAL:

- 1.1 MJ HOUSING & LED COVER: PBT, WITH 30% GF, UL94V-0, BLACK COLOR.
- 1.2 MJ CONTACTS: PHOSPHOR BRONZE.
- 1.3 MJ SHIELD: BRASS.
- 1.4 LED SOLDER TAIL: EPOXY, STEEL.
- 1.5 USB HOUSING: PBT, UL94V-0, BLACK COLOR.
- 1.6 USB CONTACTS: BRASS.
- 1.7 USB SHIELD: SPCC.

2. FINISH:

- 2.1 MJ CONTACTS:
 SELECTIVE GOLD PLATED (SEE TABLE) ON CONTACT AREA,
 GOLD FLASH ON SOLDER TAILS,
 1.27um [50u"] MIN. NICKEL UNDERPLATED OVERALL.
- 2.2 MJ SHIELD: 0.508um [20u"] MIN. NICKEL PLATED.
- 2.3 LED SOLDER TAIL:
 1.02um [40u"] COPPER UNDERPLATED OVERALL.
 1.27um [50u"] NICKEL OVERALL.
 1.27um [50u"] SILVER ON BONDING AREA.
 2.54um [100u"] BRIGHT-TIN ON SOLDER AREA.
- 2.4 USB CONTACT: SELECTIVE GOLD PLATED (SEE TABLE) ON CONTACT AREA,
 2.54um [100u"] MIN. BRIGHT-TIN PLATED ON SOLDER TAILS,
 1.27um [50u"] MIN. NICKEL UNDERPLATED OVERALL.
- 2.5 USB SHIELD: 2.032um [80u"] MIN. NICKEL PLATED.

3. WAVE SOLDER CAPABLE TO 265°C PER TE CONNECTIVITY SPEC. 109-202, CONDITION B.



LED ELECTRICAL CHARACTERISTIC			
NO.	NODE	COLOR	
LED1	9(+)	10(-)	GREEN 9-10
LED2	11(+)	12(-)	YELLOW 11-12

OBSOLETE	12.90	0.762um [30u"]	6-1775855-3
		GOLD FLASH	6-1775855-1
	WEIGHT (gram)	MIN. GOLD THICKNESS	PART NUMBER

THIS DRAWING IS A CONTROLLED DOCUMENT.		DWN	12JUN2009	
		CHK	B. HSING	
		APVD	12JUN2009	
		APVD	S. CHIEN	
		APVD	W. KODAMA	
		PRODUCT SPEC	108-57802	
		APPLICATION SPEC	-	
		WEIGHT	-	
		CUSTOMER DRAWING	-	
DIMENSIONS: mm		TOLERANCES UNLESS OTHERWISE SPECIFIED:		
0 PLC ± -		1 PLC ± 0.3		
1 PLC ± 0.3		2 PLC ± 0.2		
2 PLC ± 0.2		3 PLC ± 0.15		
3 PLC ± 0.15		4 PLC ± -		
4 PLC ± -		ANGLES ± 3'		
MATERIAL SEE TABEL		FINISH -		
		NAME		
		TE Connectivity Ltd.		
		MODULAR JACK, RJ45, STACKED OVER, USB CONN., DIP TYPE		
		SIZE	CAGE CODE	DRAWING NO
		A3	00779	C=1775855
		RESTRICTED TO	-	
		SCALE	SHEET	REV
		1:1	4 of 5	E

THIS DRAWING IS UNPUBLISHED.

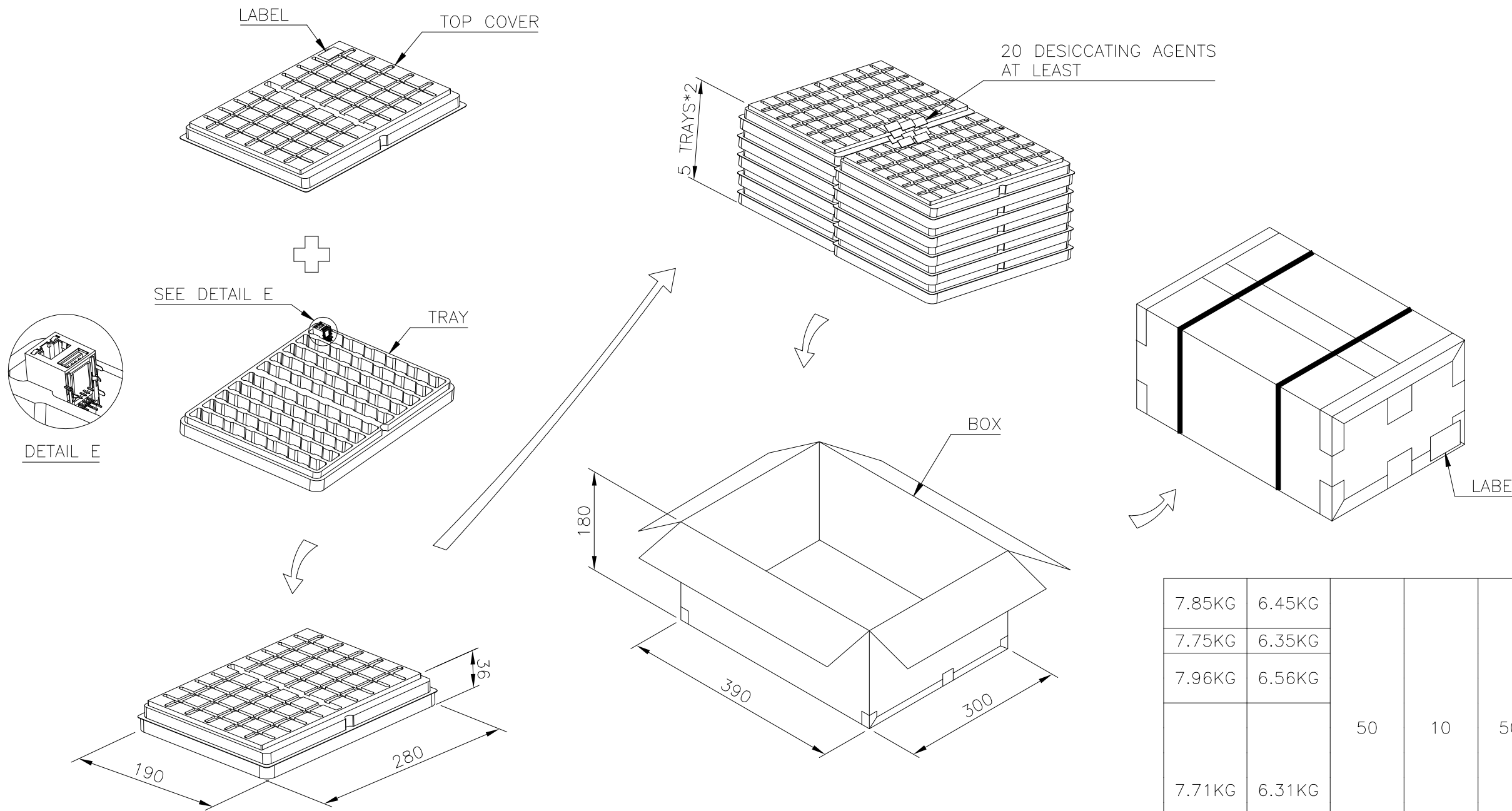
RELEASED FOR PUBLICATION

ALL RIGHTS RESERVED.

© COPYRIGHT - TE Connectivity Ltd.

REVISIONS

P	LTR	DESCRIPTION	DATE	DWN	APVD
-	-	SEE SHEET 1	-	-	-



7.85KG	6.45KG				6-1775855-3
7.75KG	6.35KG				6-1775855-1
7.96KG	6.56KG				5-1775855-1
					4-1775855-2
					4-1775855-1
		50	10	500	3-1775855-1
					2-1775855-2
					2-1775855-1
7.71KG	6.31KG				1-1775855-1
					1775855-3
					1775855-2
					1775855-1
GROSS WEIGHT	NET WEIGHT	PCS/ TRAY	TRAY/ BOX	PCS/ BOX	PART NUMBER

- NOTES:
- MATERIAL:
TRAY: PVC.
BOX: CORRUGATED FIBER.
 - DIMENSION: SEE DRAWING
 - QUANTITY: SEE TABLE
 - WEIGHT: SEE TABLE

THIS DRAWING IS A CONTROLLED DOCUMENT.		DWN	B. HSING	12JUN2009	 TE Connectivity Ltd.
		CHK	S. CHIEN	12JUN2009	
		APVD	W. KODAMA	12JUN2009	
		PRODUCT SPEC			
DIMENSIONS: mm		TOLERANCES UNLESS OTHERWISE SPECIFIED:		NAME	
		0 PLC ± - 1 PLC ± 0.3 2 PLC ± 0.2 3 PLC ± 0.15 4 PLC ± - ANGLES ± 3°		108-57802 APPLICATION SPEC -	
MATERIAL SEE TABEL		FINISH -		WEIGHT -	
CUSTOMER DRAWING			SIZE	A3	RESTRICTED TO
			CAGE CODE	00779	-
			DRAWING NO	C=1775855	-
			SCALE	1:1	REV
			SHEET	5 of 5	E

Mouser Electronics

Authorized Distributor

Click to View Pricing, Inventory, Delivery & Lifecycle Information:

[TE Connectivity:](#)

[1775855-1](#)