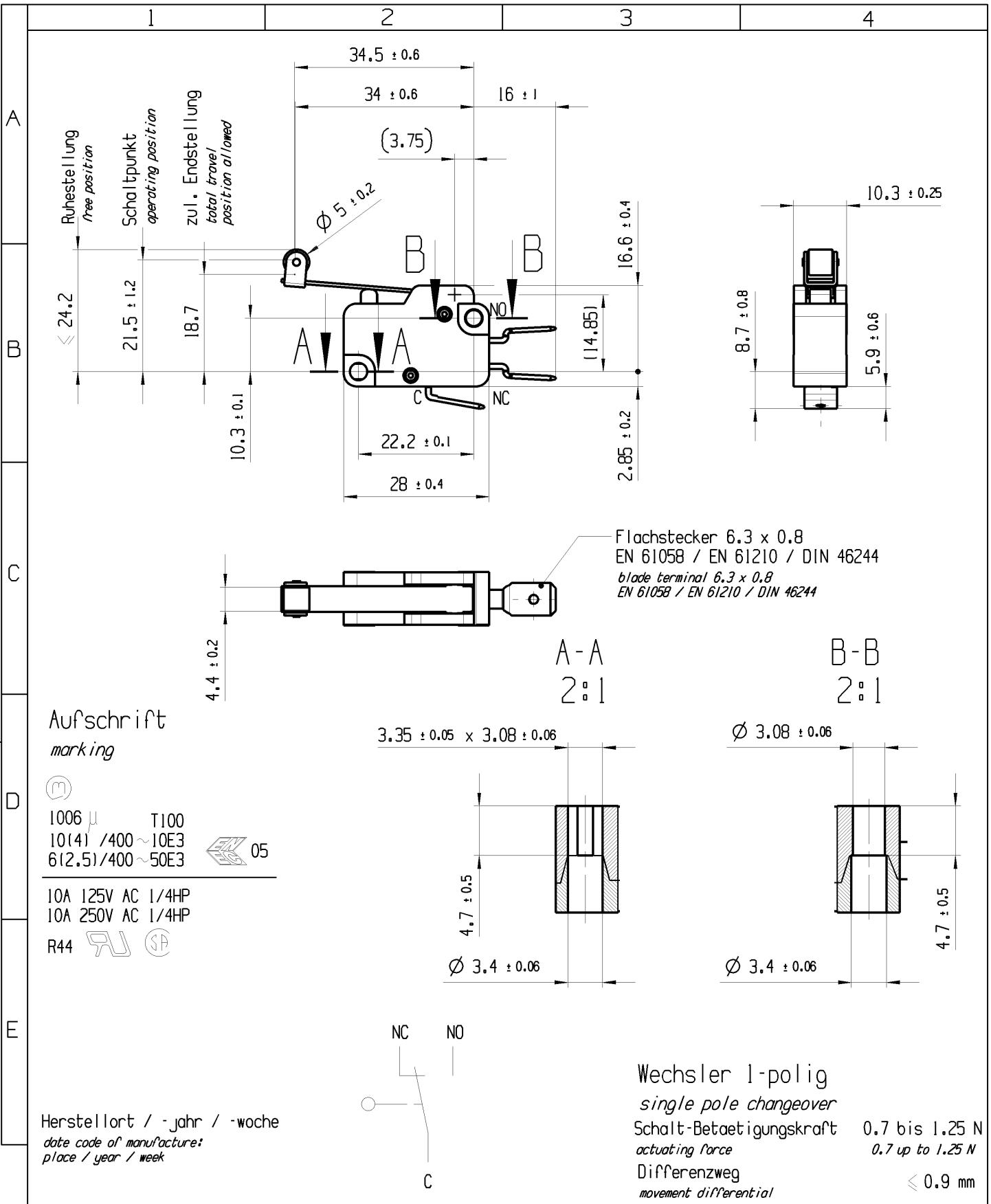


© THIS DRAWING IS THE EXCLUSIVE PROPERTY OF MARQUARDT. WITHOUT THEIR CONSENT IT MAY NOT BE REPRODUCED OR GIVEN TO THIRD PARTIES.

CONFIDENTIAL

VERTRAULICH

© Alle Rechte bei Marquardt, auch fuer den Fall von Schutzrechtsanmeldungen. Jede Verfertigungsbefugnis, wie Kopier- und Weitergaberecht, bei uns.

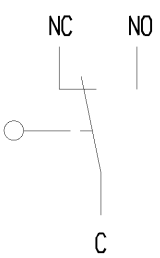


Aufschrift
marking

1006 μ T100
10(4) / 400 ~ 10E3
6(2.5) / 400 ~ 50E3

10A 125V AC 1/4HP
10A 250V AC 1/4HP
R44

Herstellort / -jahr / -woche
date code of manufacture:
place / year / week



Wechsler 1-polig
single pole changeover
Schalt-Betaetigungskraft 0.7 bis 1.25 N
actuating force 0.7 up to 1.25 N
Differenzweg ≤ 0.9 mm
movement differential

General tolerances				Sheet 01			Ident.	Document number	Index
All dimensions are in millimetres	Shape and location ⊙ ≡	Angle ± 2°	Edge tolerance 	0-6	± 0.1	± 0.2	K	10061501	g
				>6-15	± 0.15	± 0.3			
				>15-30	± 0.2	± 0.5			
				>30-70	± 0.3				
				>70-120	± 0.4	± 10%			
>120	± 0.8								
g	109072	2017-08-17	TRIGUIK			Snap action switch			
r	90078	2014-06-23	BRC						
e	87270	2014-01-10	BRC						
d	26264	1999-09-02	PFU						
Index	ECN-No.	Date (YYYY-MM-DD)	Edited by						
				Format A4			System NX V10.0		
				Projection					
				Scale 1:1					
				Replacement of			 MARQUARDT		
				Zg.gl.Nr.v.02.09.1999					

Mouser Electronics

Authorized Distributor

Click to View Pricing, Inventory, Delivery & Lifecycle Information:

[Marquardt:](#)

[1006.1501](#)