


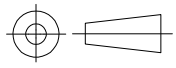
| | | | | | | | |
|--------------|-----------|-----------|-----------|---------------------------|---------|-----|------|
| WAR NR. — | LOC A1 | DIST — | REVISIONS | | | | |
| PASSEND ZU — | | P | LTR | DESCRIPTION | DATE | DWN | APVD |
| | | P | | REVISED PER ECO-11-005301 | 02MAR11 | RK | HMR |

ÄNDERUNGEN, DIE DEM
TECHNISCHEN FORT-
SCHRITT DIENEN, BE-
HALTEN WIR UNS VOR

SIEHE ZEICHNUNG
826 629 BLATT 3

VON DIESER ZEICHNUNG GIBT ES KEIN ORIGINAL

| | | | |
|-------------|-----------|---------------------|--------------------------|
| BESTELL-NR. | WERKSTOFF | OBERFLÄCHE FARBE | VERWENDET FÜR 78-9833 |
|-------------|-----------|---------------------|--------------------------|

| | | | | | | |
|---|------------------|---|--|-----------|------------|---------------|
| DIMENSIONS: mm | DWN | — | MATERIAL | — | FINISH | — |
| | CHK | — |  TE Connectivity | | | |
| TOLERANCES UNLESS OTHERWISE SPECIFIED: | APVD | — | | | | |
| 0 PLC ± - | PRODUCT SPEC | — | NAME AMPMODU II STIFTLAISTE 90DEG EINREIHIG | | | |
| 1 PLC ± - | APPLICATION SPEC | — | SIZE | CAGE CODE | DRAWING NO | RESTRICTED TO |
| 2 PLC ± - | | | A4 | 00779 | C-826631 | — |
| 3 PLC ± - | | | | | | |
| 4 PLC ± - | | | | | | |
| ANGLES ± - | WEIGHT | — | | | | |
|  | | | CUSTOMER DRAWING | | SCALE | — |
| | | | | | SHEET | 1 OF 1 |
| | | | | | REV | P |

THIS DRAWING IS UNPUBLISHED. By —
 ALL RIGHTS RESERVED.

Mouser Electronics

Authorized Distributor

Click to View Pricing, Inventory, Delivery & Lifecycle Information:

[TE Connectivity:](#)

[826631-3](#)