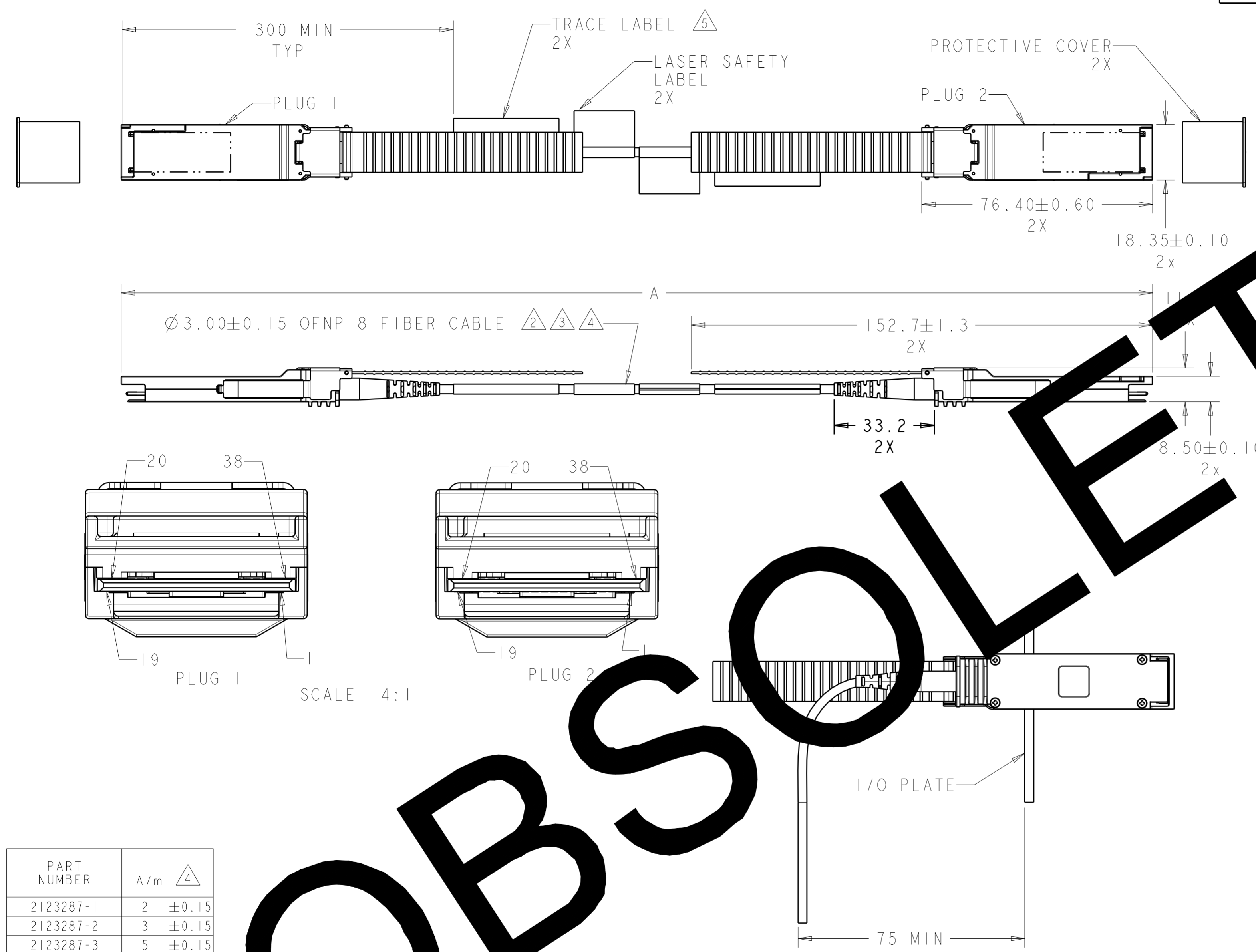


THIS DRAWING IS UNPUBLISHED. RELEASED FOR PUBLICATION 20  
 © COPYRIGHT 20 BY - ALL RIGHTS RESERVED.

LOC	DIST	REVISIONS					
CD	00	P	LTR	DESCRIPTION	DATE	DWN	APVD
		B		ECR-14-013486	17SEP14	SW	RZ
		B2		REVISE NOTES	27OCT2015	BB	JC
		B3		OBSOLETE PER ECR-16-006201	08JUL2016	DEH	JC



- CONFORMS TO 108-2397 PRODUCT SPECIFICATION, 1-1773459-9 PRODUCT FLYER, INFINIBAND SPECIFICATION FOR QDR AND COMPATIBLE WITH QSFP SPECIFICATION.
  - CAUTION! CUTTING CABLE MAY RESULT IN HAZARDOUS RADIATION EXPOSURE.
  - CONFORMS TO 409-CORE INTERCONNECT CABLE REQUIREMENTS.
  - STANDARD OM2 CABLE TO BE USED FOR LENGTHS UP TO INCLUDING 30 m. OM3 CABLE FOR LENGTHS OVER 30 m.
  - SEE TRACE LABEL FOR DETAIL.
  - THESE DIMENSIONS ARE NOT CARRIED THROUGH TO THE OTHER END, SINCE EACH END OF THE CABLE IS POWERED SEPARATELY.
  - CHASSIS GROUND IS ISOLATED FROM SIGNAL GROUND (GND) IN THE CABLE AND COMPONENTS.
  - THE QSFP MODULES IMPLEMENT THE I<sup>2</sup>C INTERFACE DESCRIBED IN 2123287-36 REV 4.3.
- EEPROM PROGRAMMED PER 2123287\_EEPROM\_CD REV B2.  
 MUST CONTAIN FIRMWARE REVISION 1.15

PART NUMBER	A/m	△
2123287-1	2	±0.15
2123287-2	3	±0.15
2123287-3	5	±0.15
2123287-4	10	±0.15
2123287-5	15	±0.15
2123287-6	20	±0.20
2123287-7	25	±0.25
2123287-8	30	±0.30
2123287-9	40	±0.40
1-2123287-0	50	±0.50
1-2123287-1	100	±1.00
1-2123287-2	1	±0.15
1-2123287-3	7	±0.15

THIS DRAWING IS A CONTROLLED DOCUMENT.

DIMENSIONS:	TOLERANCES UNLESS OTHERWISE SPECIFIED:	DWN	27APR2010	TE Connectivity NAME PARALIGHT CABLE ASS'Y, 4X10 QSFP SIZE CAGE CODE DRAWING NO RESTRICTED TO A200779 C-2123287 SCALE 1:1 SHEET 1 OF 2 REV B3
mm	0 PLC ± 1 PLC ±0.5 2 PLC ±0.13 3 PLC ±0.013 4 PLC ±0.0001 ANGLES ± FINISH	CHK	27APR2010	
		APVD	27APR2010	
MATERIAL		PRODUCT SPEC		
		APPLICATION SPEC		
		WEIGHT		
		CUSTOMER DRAWING		

THIS DRAWING IS UNPUBLISHED. RELEASED FOR PUBLICATION 20  
 © COPYRIGHT 20 BY - ALL RIGHTS RESERVED.

LOC	DIST	REVISIONS					
CD	00	P	LTR	DESCRIPTION	DATE	DWN	APVD
		-		SEE SHEET 1	-	-	-

QSFP	
PIN NO.	SIGNAL
1	GND
2	Tx2n
3	Tx2p
4	GND
5	Tx4n
6	Tx4p
7	GND
8	ModSeIL
9	ResetL
10	Vcc Rx
11	SCL
12	SDA
13	GND
14	Rx3p
15	Rx3n
16	GND
17	Rx1p
18	Rx1n
19	GND
20	GND
21	Rx2n
22	Rx2p
23	GND
24	Rx4n
25	Rx4p
26	GND
27	ModPrsL
28	ModPrsR
29	Vcc Tx
30	VccI
31	Mode
32	Mode
33	Mode
34	Tx
35	GND
36	Tx1p
37	Tx1n
38	GND

TE P/N- = PREFIX (LASER SAFETY ID)  
 X-2123287-X = TE 17 PART NUMBER

S/N: BBBMMDDNNNNN

BAR CODE--

TE P/N- = PREFIX (LASER SAFETY ID)  
 X-2123287-X = TE 17 PART NUMBER  
 ASSSEMBLED IN US OF  
 AND OTHER COMPONENTS  
  
 Length: XXXm  
 REV.B2

SERIAL NUMBER BBBMMYYDDNNNNN  
 BBB = BUILDING NUMBER  
 MM = MANUFACTURING LOCATION  
 YY = TWO DIGIT YEAR  
 DDD = ORDINAL DATE  
 NNNNN = FIVE DIGIT SERIAL NUMBER

COUNTRY OF ORIGIN  
 WHEN MANUFACTURED  
 OUTSIDE THE US LABEL  
 MUST READ 'MADE IN XXXXX'.  
 -- WHERE XXXXX REPRESENTS  
 THE COUNTRY OF MANUFACTURING  
 -- LENGTH FROM PART NUMBER TABLE  
 -- TE LOGO & CUSTOMER PRINT REV

**OBSCOLETTE**

TRACE LABEL INFORMATION  
 NOTE: LASER SAFETY CERTIFICATION IS BASED ON THE PREFIX  
 AND THAT TE IS THE ONLY MANUFACTURE VISIBLE ON  
 THE LABEL.

THIS DRAWING IS A CONTROLLED DOCUMENT.		DWN L. CASTAGNA 27APR2010	TE Connectivity	
DIMENSIONS: mm		CHK R. FAIR 27APR2010	NAME PARALIGHT CABLE ASS'Y, 4X10 QSFP	
TOLERANCES UNLESS OTHERWISE SPECIFIED: 0 PLC ±- 1 PLC ±0.5 2 PLC ±0.13 3 PLC ±0.013 4 PLC ±0.0001 ANGLES ±- FINISH		APVD R.D. MILLER 27APR2010	RESTRICTED TO	
MATERIAL		PRODUCT SPEC - APPLICATION SPEC -	SIZE A200779	DRAWING NO C-2123287
-		WEIGHT -	SCALE 1:1	SHEET 2 OF 2 REV B3
CUSTOMER DRAWING				

# Mouser Electronics

Authorized Distributor

Click to View Pricing, Inventory, Delivery & Lifecycle Information:

[TE Connectivity:](#)

[2123287-3](#)