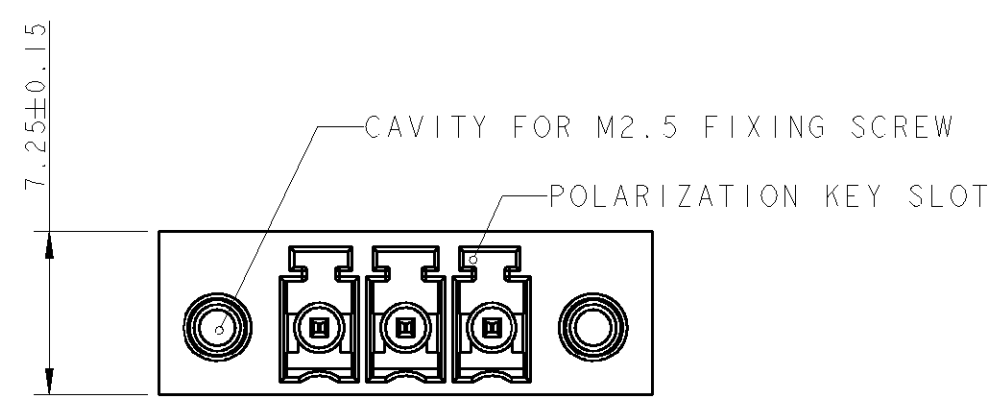
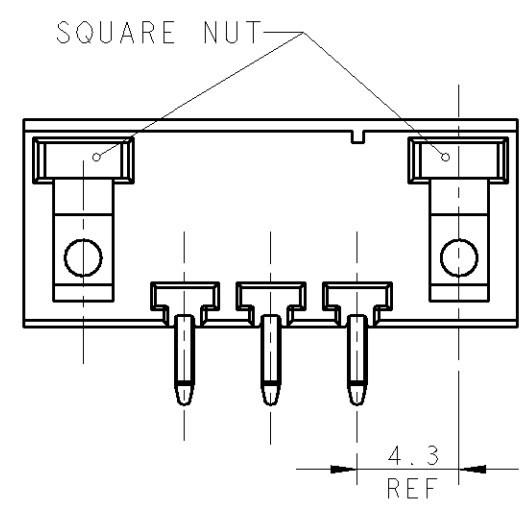
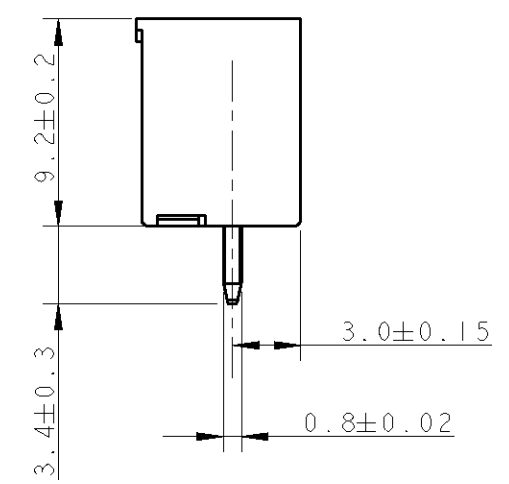
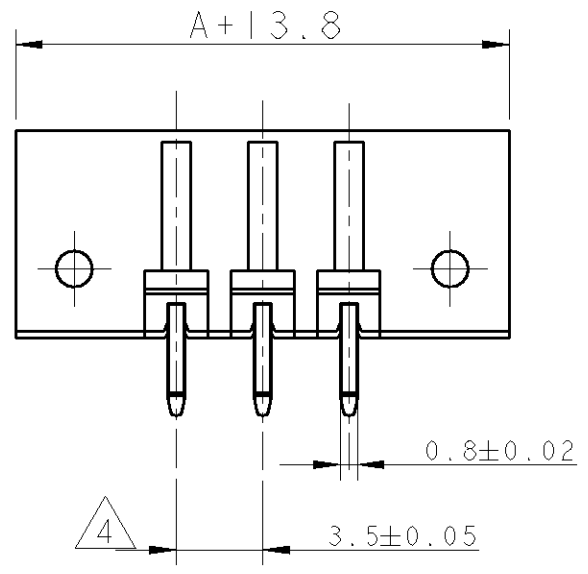
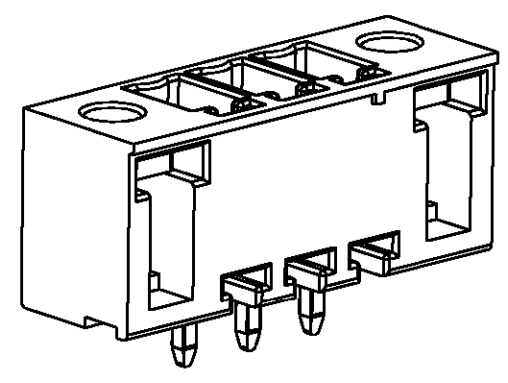


THIS DRAWING IS UNPUBLISHED. RELEASED FOR PUBLICATION 20
 © COPYRIGHT - BY - ALL RIGHTS RESERVED.

LOC	DIST	REVISIONS			
P	LTR	DESCRIPTION	DATE	DWN	APVD
FT	0	B1	REVISED PER ECO-11-005294	30APR11	RK HMR



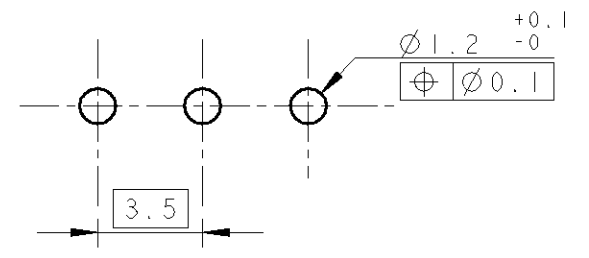
- 1 MATERIALS AND FINISH
HOUSING : PA 6.6, UL 94-V0, COLOR GREEN
TERMINAL : PHOSPHOR BRONZE, TIN PLATED
- 2 CONNECTOR ASSEMBLY INCLUDED 2 SQUARE NUTS LOADED IN CAVITY
- 3 SUITABLE FOR 1.6-2.4 mm. PC BOARD THICKNESS
- 4 NOT CUMULATIVE TOLERANCE



284516-3 AS SHOWN

DIM A	NO OF POS	PART NUMBER
77.0	23	2-284516-3
73.5	22	2-284516-2
70.0	21	2-284516-1
66.5	20	2-284516-0
63.0	19	1-284516-9
59.5	18	1-284516-8
56.0	17	1-284516-7
52.5	16	1-284516-6
49.0	15	1-284516-5
45.5	14	1-284516-4
42.0	13	1-284516-3
38.5	12	1-284516-2
35.0	11	1-284516-1
31.5	10	1-284516-0
28.0	9	284516-9
24.5	8	284516-8
21.0	7	284516-7
17.5	6	284516-6
14.0	5	284516-5
10.5	4	284516-4
7.0	3	284516-3
3.5	2	284516-2

RECOMMENDED PC BOARD LAYOUT



DIMENSIONS: mm		TOLERANCES UNLESS OTHERWISE SPECIFIED: 0 PLC ±- 1 PLC ±.3 2 PLC ±.25 3 PLC ±- 4 PLC ±- ANGLES ±2		DWN 06FEB2002 EZ CHK 06FEB2002 E. ZANOLINI APVD 06FEB2002 D. BIEVENOUR PRODUCT SPEC 108-20166 APPLICATION SPEC 114-20079 WEIGHT -		STE TE Connectivity NAME TERMINAL BLOCK, HEADER ASSEMBLY STRAIGHT, 3.5mm PITCH WITH THREADED FLANGE	
MATERIAL 1		FINISH 1		CUSTOMER DRAWING		SIZE A3 CAGE CODE 00779 DRAWING NO C-284516 RESTRICTED TO - SCALE 3:1 SHEET 1 OF 1 REV B1	

Mouser Electronics

Authorized Distributor

Click to View Pricing, Inventory, Delivery & Lifecycle Information:

[TE Connectivity:](#)

[284516-3](#)