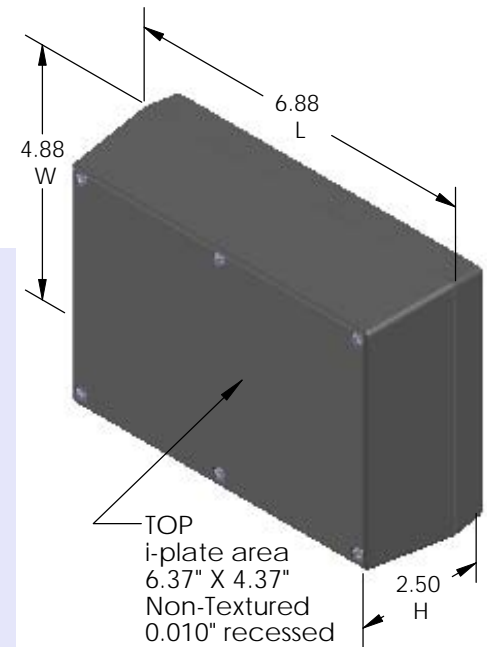
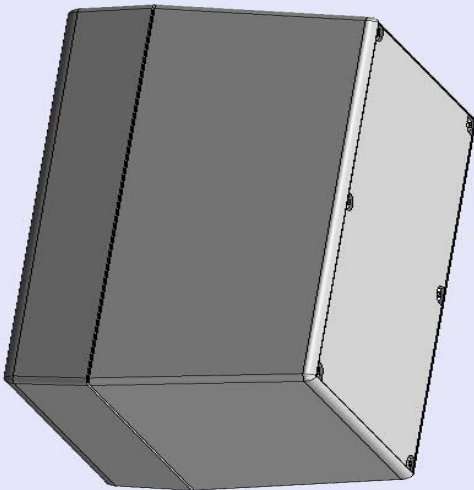


# SERPAC 173Ri (3D exploded)

Electronic Enclosures

-Click on image to show toolbar. Use  to Play/Pause Animation.  
-Left click and drag on image to move 3D model.



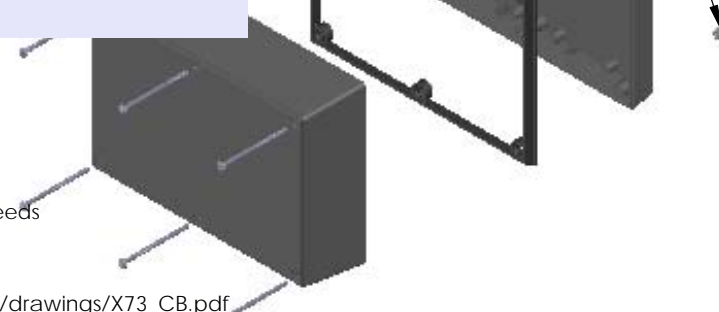
Threaded inserts only have to be assembled the first time.

Sealing gasket optional. note #2

- a) Zoom in & out with center wheel.
- b) Pause at any moment to view and or print views.
- c) Change the views to ortho and section views if needed from the Views pull down menu.
- d) Explore options included in the tool bar like: Views, Transparency of model, Lighting type, etc.

PART NO.	DESCRIPTION (Included)	ACCESSORIES (Optional)	
		PART NO.	DESCRIPTION
7-3Ri	TOP	PS17	Perimeter Seal
6019	4-40 SCREW (6)	370	Prototype Grid Circuit Board
6102	THREADED INSERTS (6)	470	Prototype Clad Circuit Board

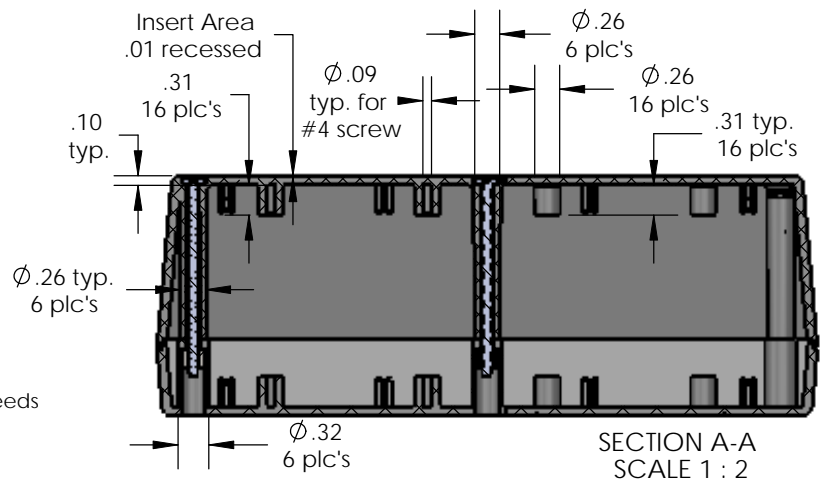
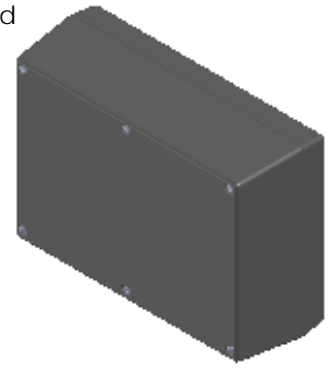
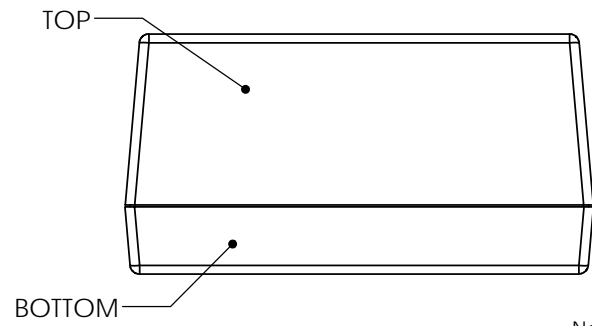
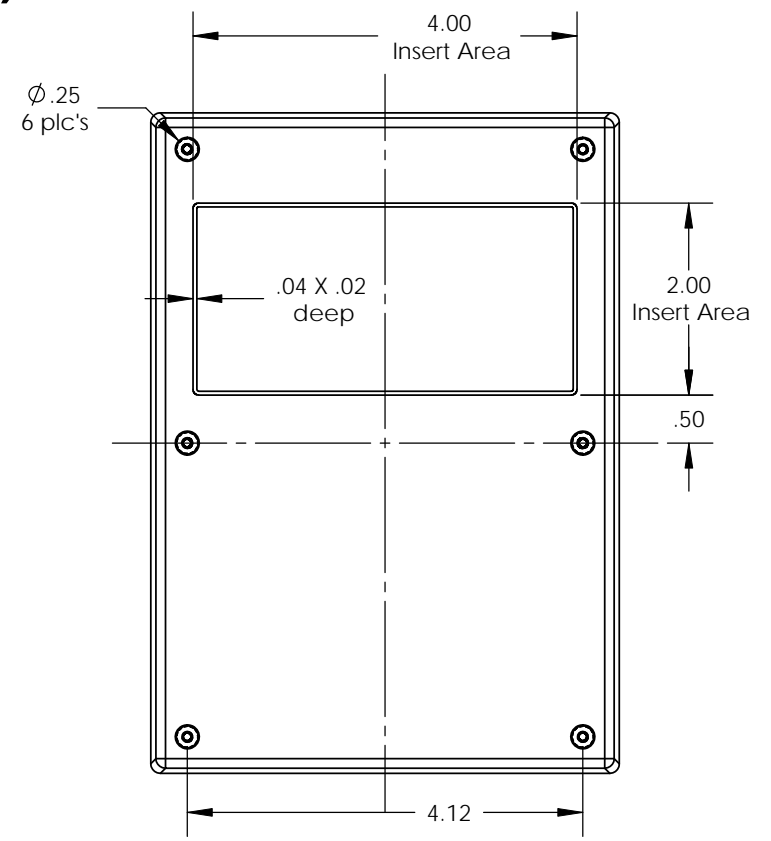
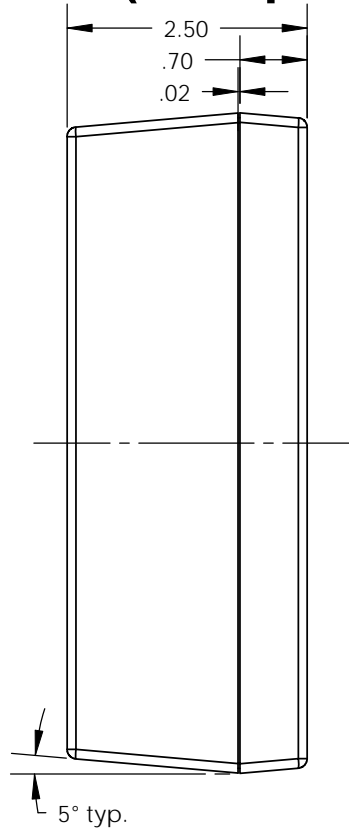
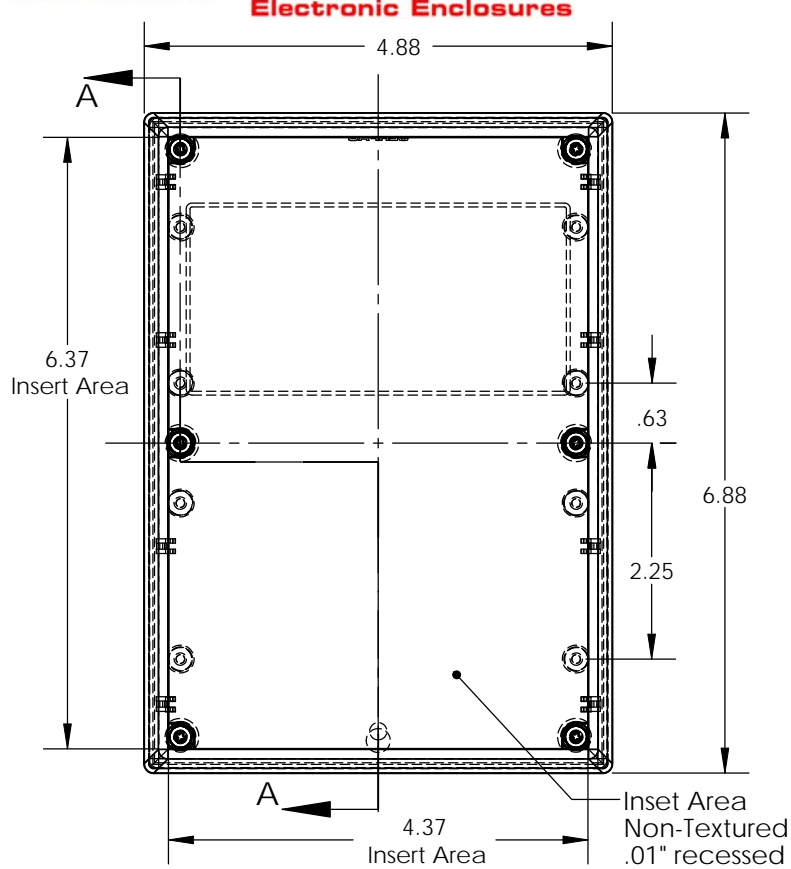
Notes: Enclosure weight .50 lbs / 229 gm  
 1) Enclosure meets or exceeds IP40 and NEMA 1  
 2) When used with PS17 the enclosure meets or exceeds IP 67 and NEMA 4X, 12 and 13 MIL-STD-810G 506.5  
 3) Circuit Board drawings can be download at:  
 Top: [http://www.serpac.com/Accessories/CircuitBoard/drawings/X73\\_CB.pdf](http://www.serpac.com/Accessories/CircuitBoard/drawings/X73_CB.pdf)  
 Bottom: <http://www.serpac.com/Accessories/CircuitBoard/drawings/370-470-cbc.pdf>  
 4) All components are RoHS Compliant.



ALL DIMENSIONS ARE ±.010" 7/29/10 (1 of 2)  
 2009 Wright Ave. La Verne, CA 91750  
 Ph. (626) 331-0517 Fx. (626) 331-8584 serpac.com

# SERPAC 173Ri (user print)

Electronic Enclosures



Notes: Enclosure weight .50 lbs / 229 gm  
 1) Enclosure meets or exceeds IP40 and NEMA 1  
 2) When used with PS17 the enclosure meets or exceeds IP 67 and NEMA 4X, 12 and 13 MIL-STD-810G 506.5  
 3) Circuit Board drawings can be download at:  
 Top: [http://www.serpac.com/Accessories/CircuitBoard/drawings/X73\\_CB.pdf](http://www.serpac.com/Accessories/CircuitBoard/drawings/X73_CB.pdf)  
 Bottom: <http://www.serpac.com/Accessories/CircuitBoard/drawings/370-470-cbg.pdf>  
 4) All components are RoHS Compliant.

PART NO.	DESCRIPTION (Included)	ACCESSORIES (Optional)	PART NO.	DESCRIPTION
7-3Ri	TOP			
17	BOTTOM		PS17	Perimeter Seal
6019	4-40 SCREW (6)		370	Prototype Grid Circuit Board
6102	THREADED INSERTS (6)		470	Prototype Clad Circuit Board

ALL DIMENSIONS ARE ±.010" 7/29/10 (2 of 2)  
 2009 Wright Ave. La Verne, CA 91750  
 Ph. (626) 331-0517 Fx. (626) 331-8584 www.serpac.com

# Mouser Electronics

Authorized Distributor

Click to View Pricing, Inventory, Delivery & Lifecycle Information:

SERPAC:

[173RI,AL](#) [173RI,BK](#) [173RI,GY](#)