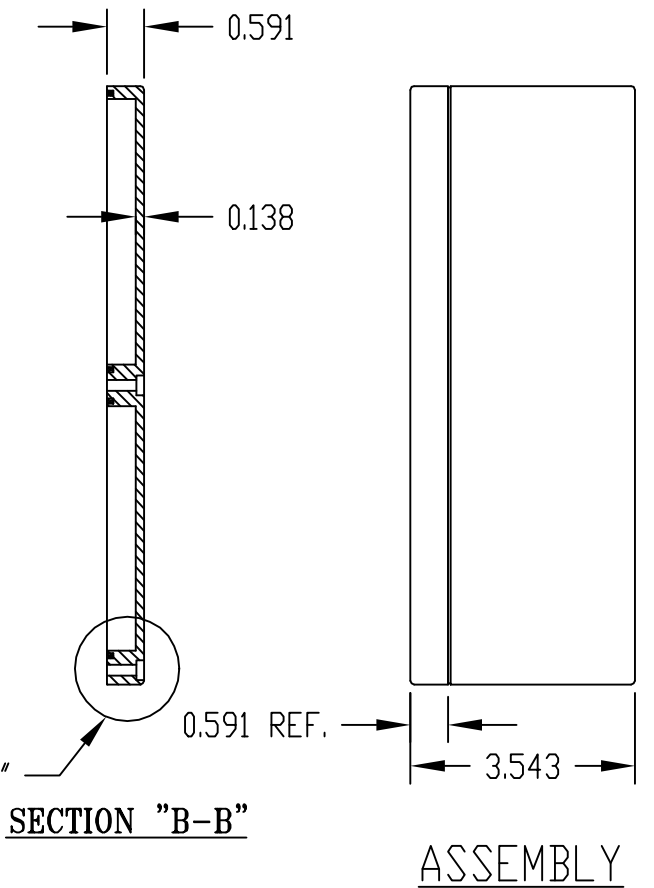
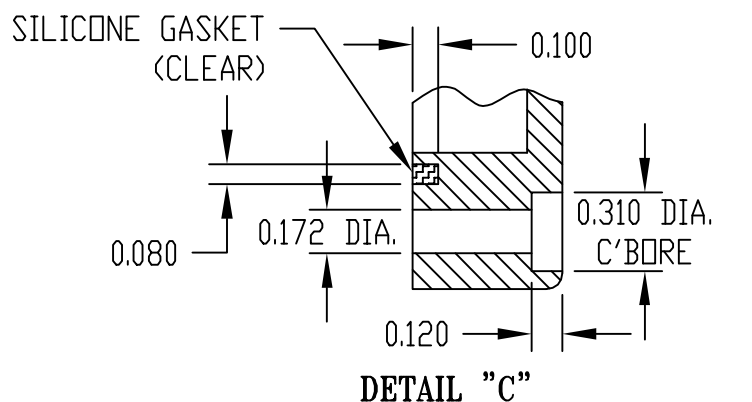
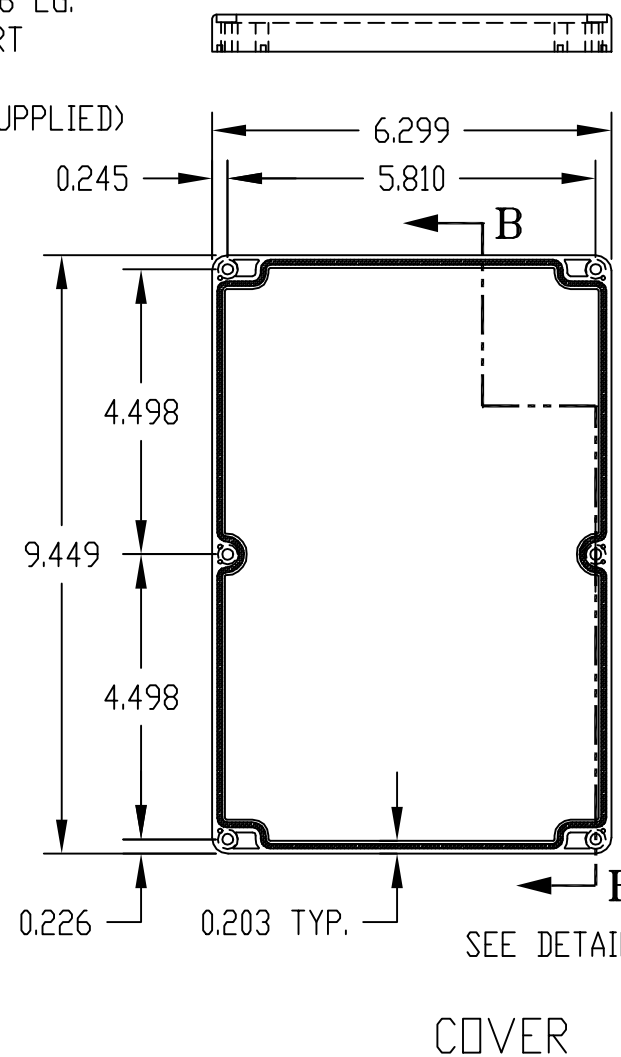
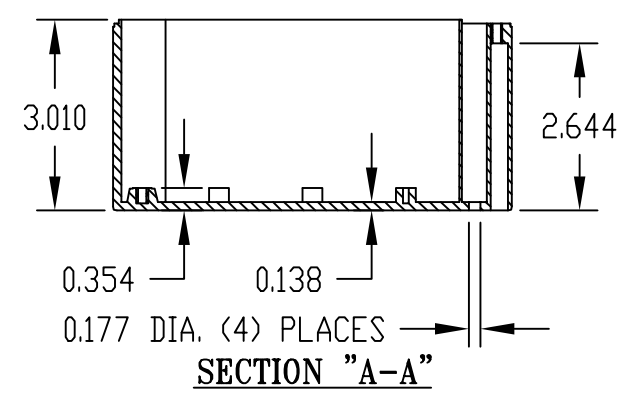
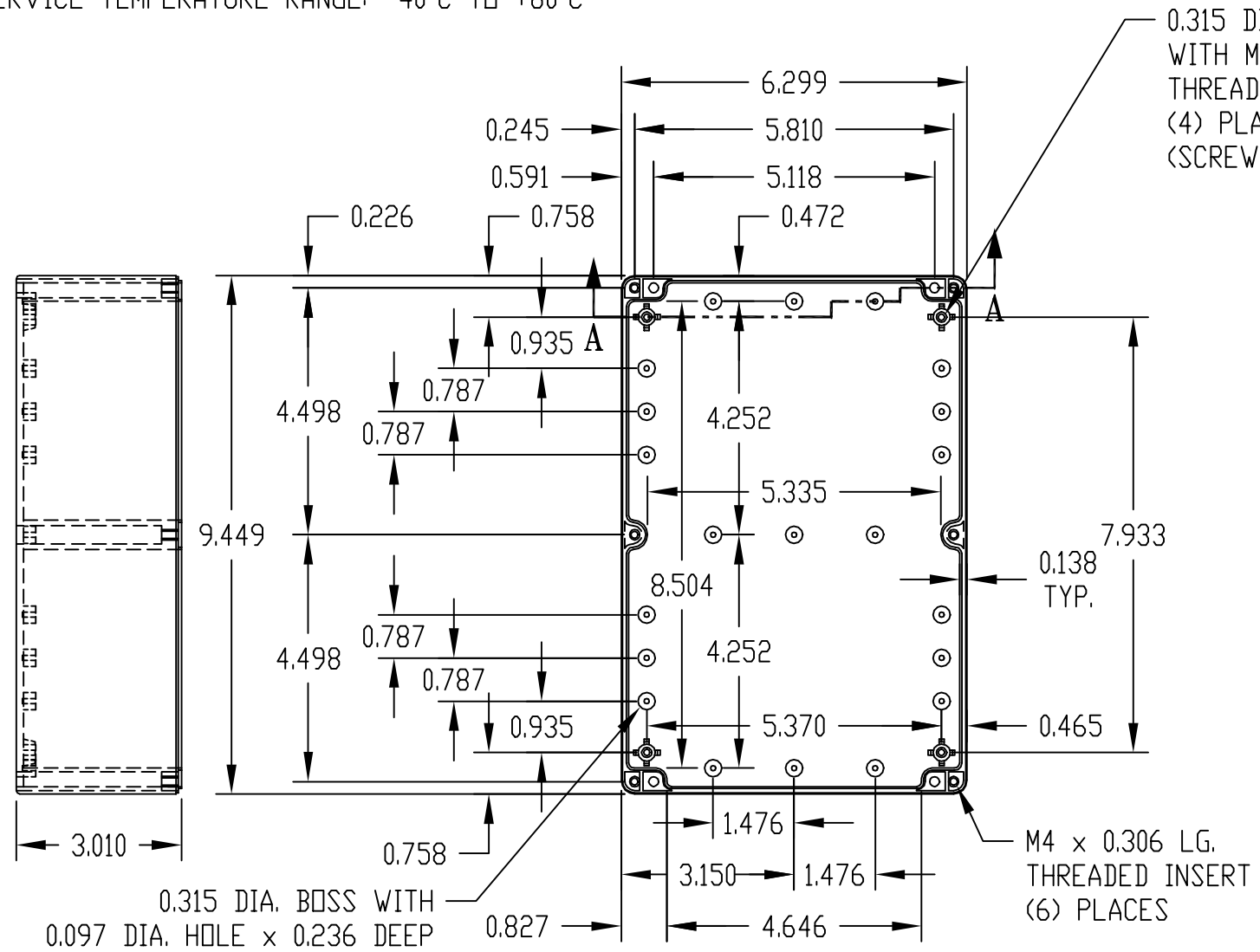


PART NAME	NEMA 4X ENCLOSURE	PART No.	PN-1340, PN-1340-C AND PN-1340-DG	REV. DATE	11-17-08
-----------	-------------------	----------	-----------------------------------	-----------	----------

**INDUSTRY STANDARDS:**

- POLYCARBONATE (LIGHT GRAY AND CLEAR)
  - UL94-HB FLAMMABILITY RATING (UL FILE #E41613)
  - UV STABILIZED
  - SERVICE TEMPERATURE RANGE: -40°C TO +120°C
- ABS (DARK GRAY)
  - UL94-HB FLAMMABILITY RATING (ULFILE #E560700)
  - SERVICE TEMPERATURE RANGE: -40°C TO +80°C



NOTE: ALL DIMENSIONS HAVE ±0.015 TOLERANCE UNLESS OTHERWISE SPECIFIED.

PART NUMBER	MATERIAL		FINISH		HARDWARE KIT
	BODY	COVER	BODY	COVER	
PN-1340	POLYCARBONATE		LIGHT GRAY		KIT CONTAINS (6) M4 x 20mm (0.787") LG. SCREWS FOR ASSEMBLY
PN-1340-C	POLYCARBONATE		LIGHT GRAY	CLEAR	
PN-1340-DG	HIGH-IMPACT ABS		DARK GRAY		

# Mouser Electronics

Authorized Distributor

Click to View Pricing, Inventory, Delivery & Lifecycle Information:

## Bud Industries:

[PN-1340-C](#) [PN-1340-DG](#) [PN-1340](#) [PN1340DGMOD-1350](#) [1340CC Q#CV4713145251-D](#)