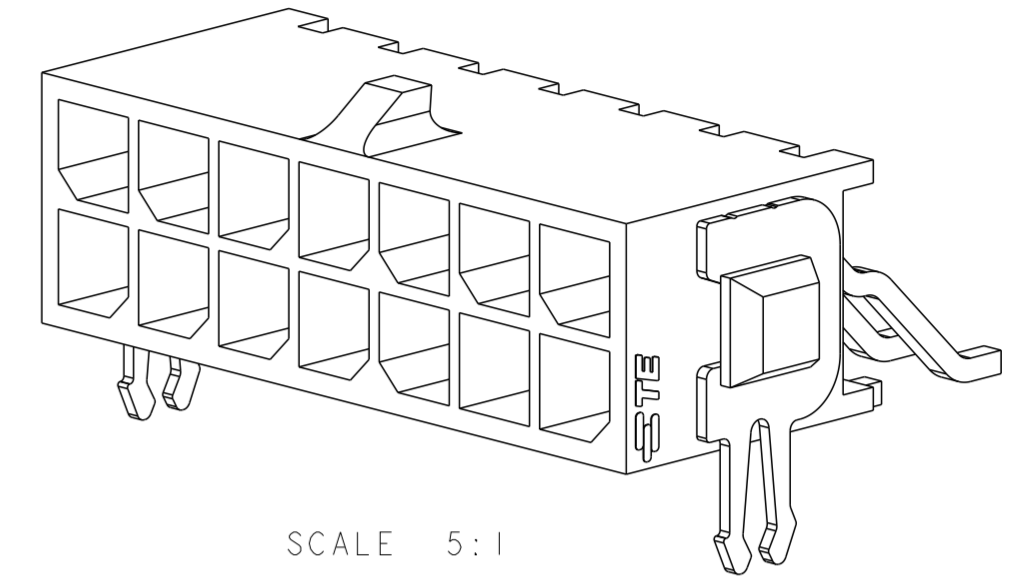
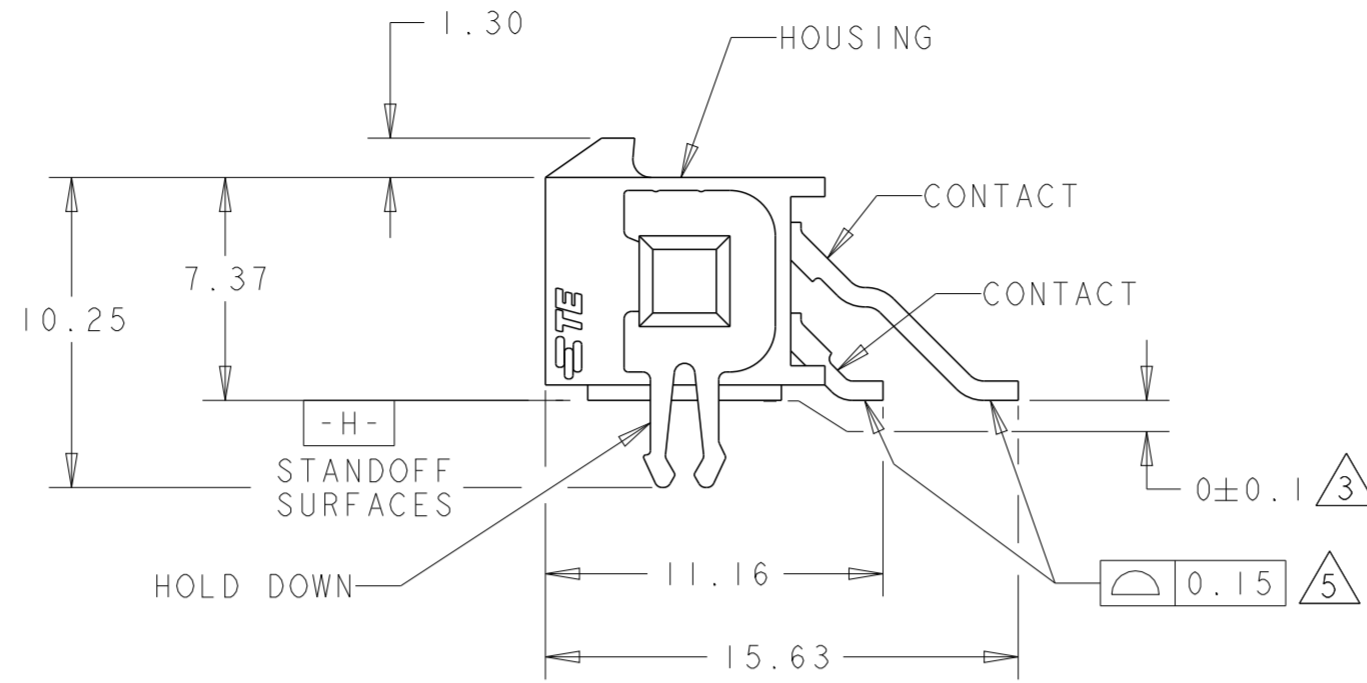
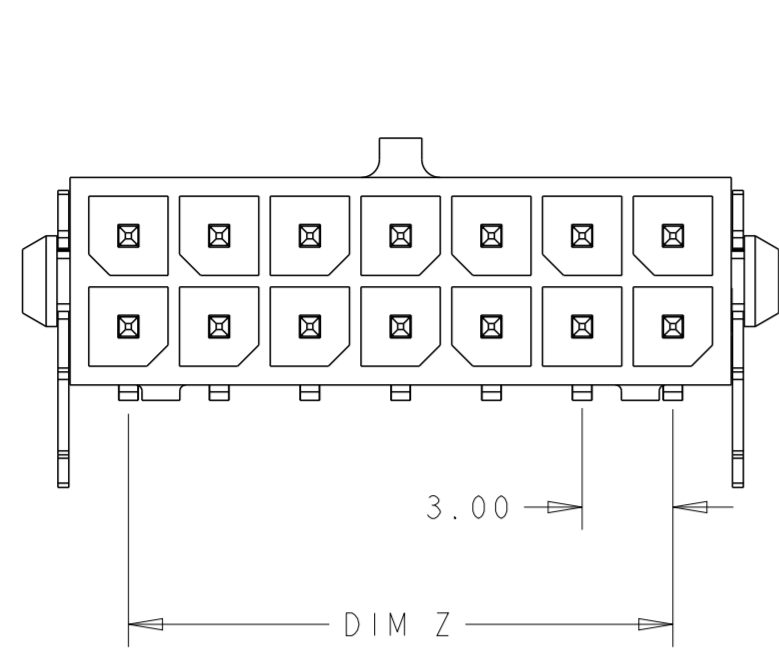
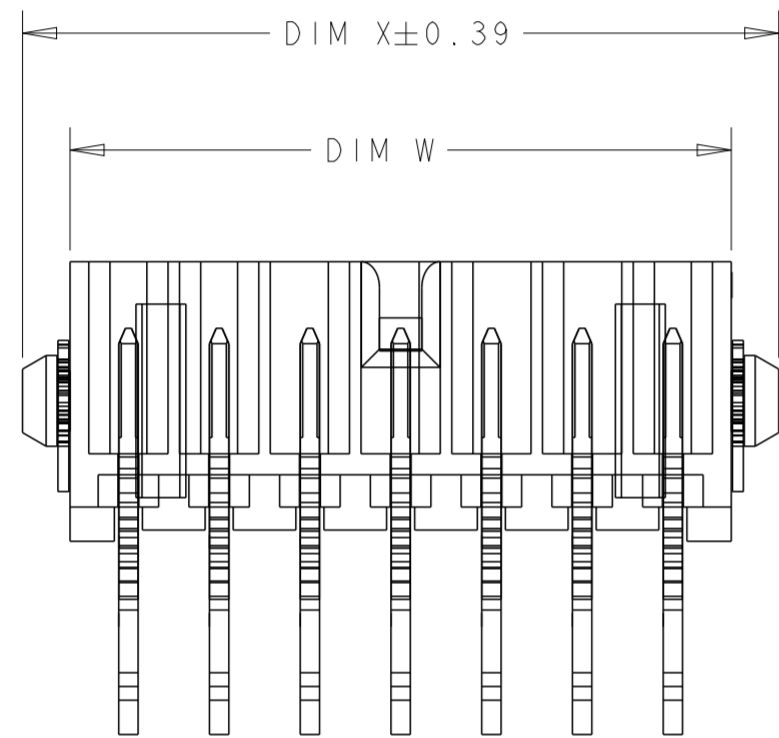


THIS DRAWING IS UNPUBLISHED. RELEASED FOR PUBLICATION 20
 © COPYRIGHT 20 BY - ALL RIGHTS RESERVED.

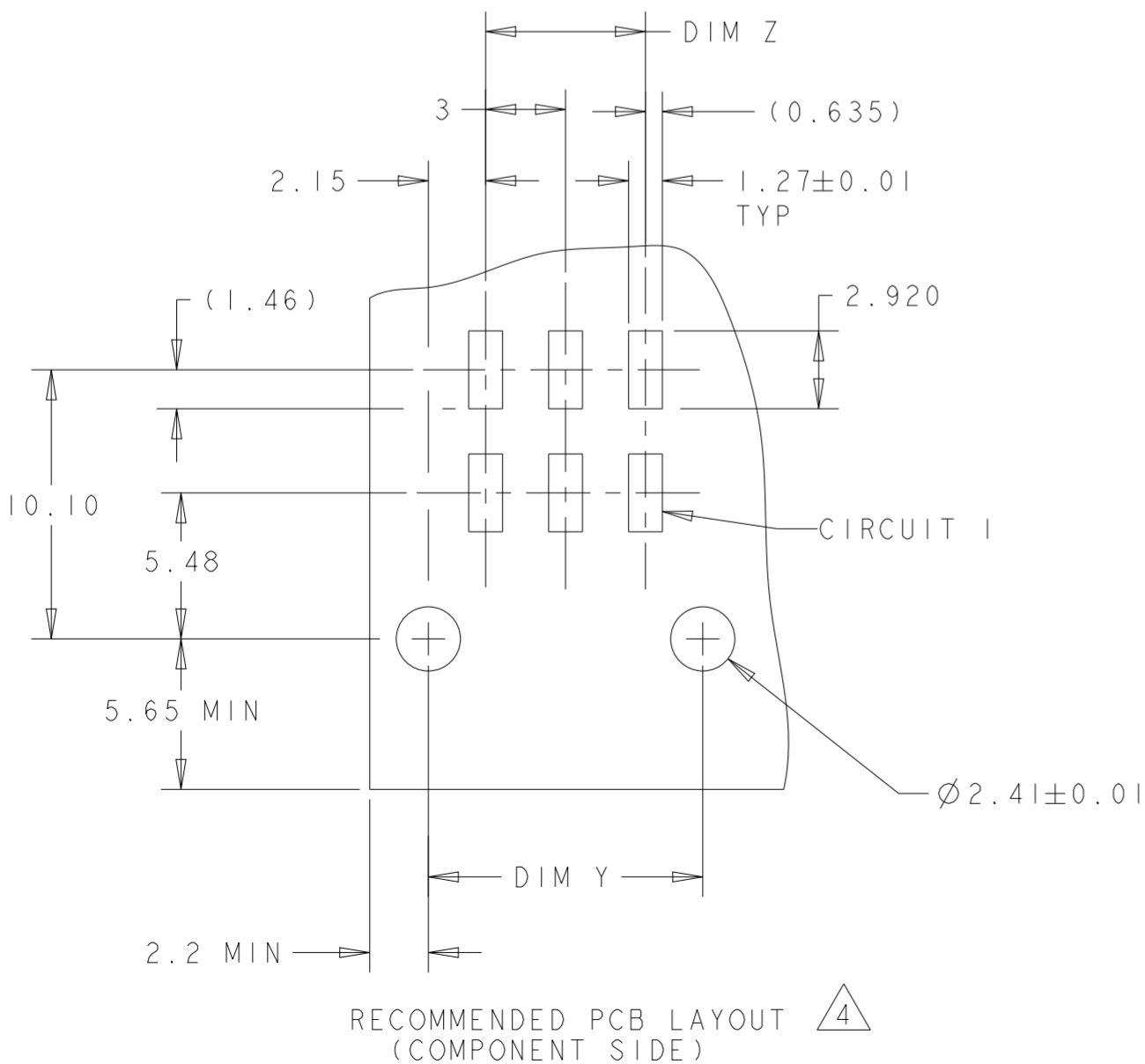
REVISIONS					
P	LTR	DESCRIPTION	DATE	DWN	APVD
	G1	REVISED PER ECR-16-011494	22JUN2017	NK	CX



SCALE 5:1



- 1 MATERIAL;
CONTACTS - BRASS.
HOUSING - UL 94V-0 RATED HIGH TEMP NYLON,
COLOR; BLACK.
HOLD DOWNS - PHOSPHOR BRONZE.
- 2 FINISH;
CONTACTS - 2.54µm MINIMUM TIN-LEAD OVER 1.27µm
MINIMUM NICKEL.
HOLD DOWNS - 2.54µm TIN LEAD.
- 3 DIMENSION APPLIES TO SOLDERTAIL SURFACES
AND STANDOFF SURFACES.
- 4 RECOMMENDED PCB BOARD THICKNESS OF 1.57.
- 5 ALL SOLDERTAILS.
- 6 FINISH;
CONTACTS - 2.54µm MINIMUM MATTE TIN OVER 1.27µm
MINIMUM NICKEL.



36.86	37.30	33.00	40.00	24	5-794624-4
33.86	34.30	30.00	37.00	22	5-794624-2
30.86	31.30	27.00	34.00	20	5-794624-0
27.86	28.30	24.00	31.00	18	4-794624-8
24.86	25.30	21.00	28.00	16	4-794624-6
21.86	22.30	18.00	25.00	14	4-794624-4
18.86	19.30	15.00	22.00	12	4-794624-2
15.86	16.30	12.00	19.00	10	4-794624-0
12.86	13.30	9.00	16.00	8	3-794624-8
9.86	10.30	6.00	13.00	6	3-794624-6
6.86	7.30	3.00	10.00	4	3-794624-4
3.86	4.30	-	7.00	2	3-794624-2
36.86	37.30	33.00	40.00	24	2-794624-4
33.86	34.30	30.00	37.00	22	2-794624-2
30.86	31.30	27.00	34.00	20	2-794624-0
27.86	28.30	24.00	31.00	18	1-794624-8
24.86	25.30	21.00	28.00	16	1-794624-6
21.86	22.30	18.00	25.00	14	1-794624-4
18.86	19.30	15.00	22.00	12	1-794624-2
15.86	16.30	12.00	19.00	10	1-794624-0
12.86	13.30	9.00	16.00	8	794624-8
9.86	10.30	6.00	13.00	6	794624-6
6.86	7.30	3.00	10.00	4	794624-4
3.86	4.30	-	7.00	2	794624-2

FINISH		DIM W	DIM Y	DIM Z	DIM X	NO. OF POSN.	ASSEMBLY
SUPERSEDED BY 5-794624-4		36.86	37.30	33.00	40.00	24	2-794624-4
SUPERSEDED BY 5-794624-2		33.86	34.30	30.00	37.00	22	2-794624-2
SUPERSEDED BY 5-794624-0		30.86	31.30	27.00	34.00	20	2-794624-0
SUPERSEDED BY 4-794624-8		27.86	28.30	24.00	31.00	18	1-794624-8
SUPERSEDED BY 4-794624-6		24.86	25.30	21.00	28.00	16	1-794624-6
SUPERSEDED BY 4-794624-4		21.86	22.30	18.00	25.00	14	1-794624-4
SUPERSEDED BY 4-794624-2		18.86	19.30	15.00	22.00	12	1-794624-2
SUPERSEDED BY 4-794624-0		15.86	16.30	12.00	19.00	10	1-794624-0
SUPERSEDED BY 3-794624-8		12.86	13.30	9.00	16.00	8	794624-8
SUPERSEDED BY 3-794624-6		9.86	10.30	6.00	13.00	6	794624-6
SUPERSEDED BY 3-794624-4		6.86	7.30	3.00	10.00	4	794624-4
SUPERSEDED BY 3-794624-2		3.86	4.30	-	7.00	2	794624-2

THIS DRAWING IS A CONTROLLED DOCUMENT.		DWN S. HOOVER 23-MAR-2005	TE Connectivity
DIMENSIONS: mm		CHK C. JONES 23-MAR-2005	
TOLERANCES UNLESS OTHERWISE SPECIFIED:		APVD C. JONES 23-MAR-2005	
0 PLC ± 1 PLC ± 2 PLC ±0.13 3 PLC ± 4 PLC ± ANGLES ± FINISH SEE TABLE		NAME SURFACE MOUNT, RIGHT ANGLE, MECH. HOLD DOWN, ASSEMBLY, TIN HEADER, DUAL ROW, MICRO MATE-N-LOK (TM) SIZE A2 CAGE CODE 0779 DRAWING NO C-794624 RESTRICTED TO -	
MATERIAL 1	SEE TABLE	WEIGHT -	CUSTOMER DRAWING
		SCALE 4:1	SHEET 1 OF 1
		REV G1	

Mouser Electronics

Authorized Distributor

Click to View Pricing, Inventory, Delivery & Lifecycle Information:

[TE Connectivity:](#)

[2-794624-4](#)