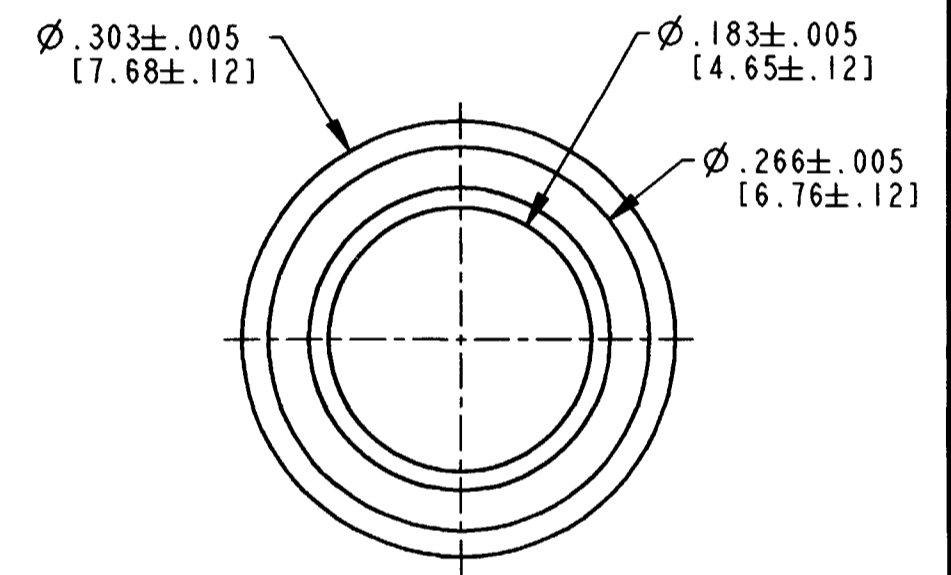
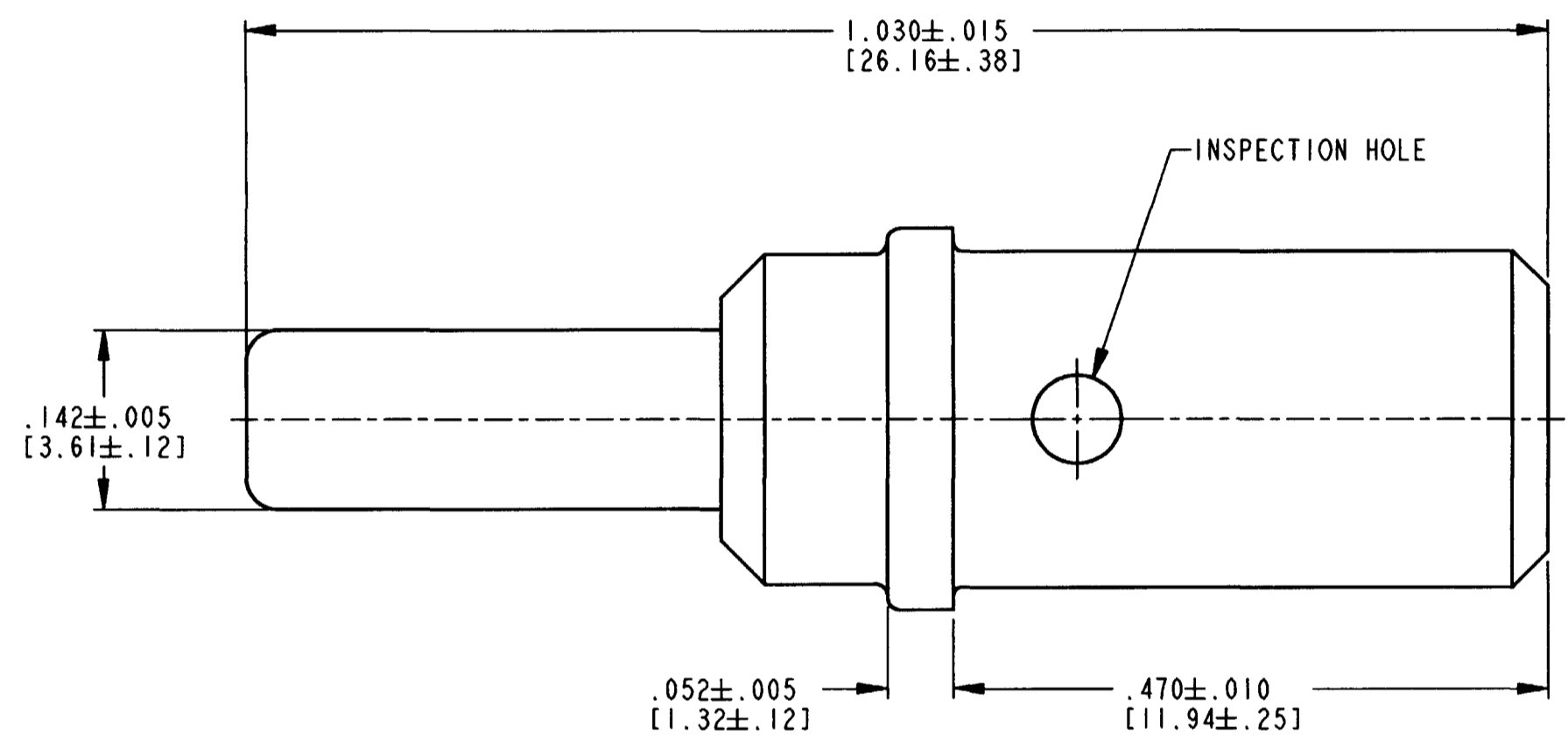


REV
NC 0460-204-08**

REVISIONS			
SYM	DESCRIPTION	DATE	APPROVED
NC	NEW RELEASE PER E.O. P17009	12-8-00	<i>RSR</i>



- 4. FOR CONTACT PERFORMANCE AND APPLICATION CHARACTERISTICS SEE DRAWING 0425-015-0000.
- 3. THIS CONTACT MAY BE CRIMPED WITH HDP-400 POWER CRIMPER OR HDT-04-08 HAND TOOL. SEE DRAWING 0425-205-0000 FOR APPLICABLE WIRE SIZE AND CRIMP INFORMATION.
- 2. WHEN ** = 141: PLATING IS NICKEL.
- 1. DIMENSIONS ARE IN INCHES [mm].

NOTES: UNLESS OTHERWISE SPECIFIED

SIGNATURE & DATE	
DR	D. MEYER 11/29/00
CHK	<i>Spand</i> 12-6-00
PE	<i>D Meyer</i> 11/30/00
APPD	<i>R. Reed</i> 12-8-00
SCALE	NONE WT

CONTACT PIN
SIZE 8

ENVELOPE

CP	MATL. CODE
The Deutsch Company	DEUTSCH I. P. D. 3850 INDUSTRIAL AVE. HEMET, CALIF. 92545
B 0460-204-08**	
DWG SIZE	CODE 11139 SHEET OF

Mouser Electronics

Authorized Distributor

Click to View Pricing, Inventory, Delivery & Lifecycle Information:

[TE Connectivity:](#)

[0460-204-08141](#)