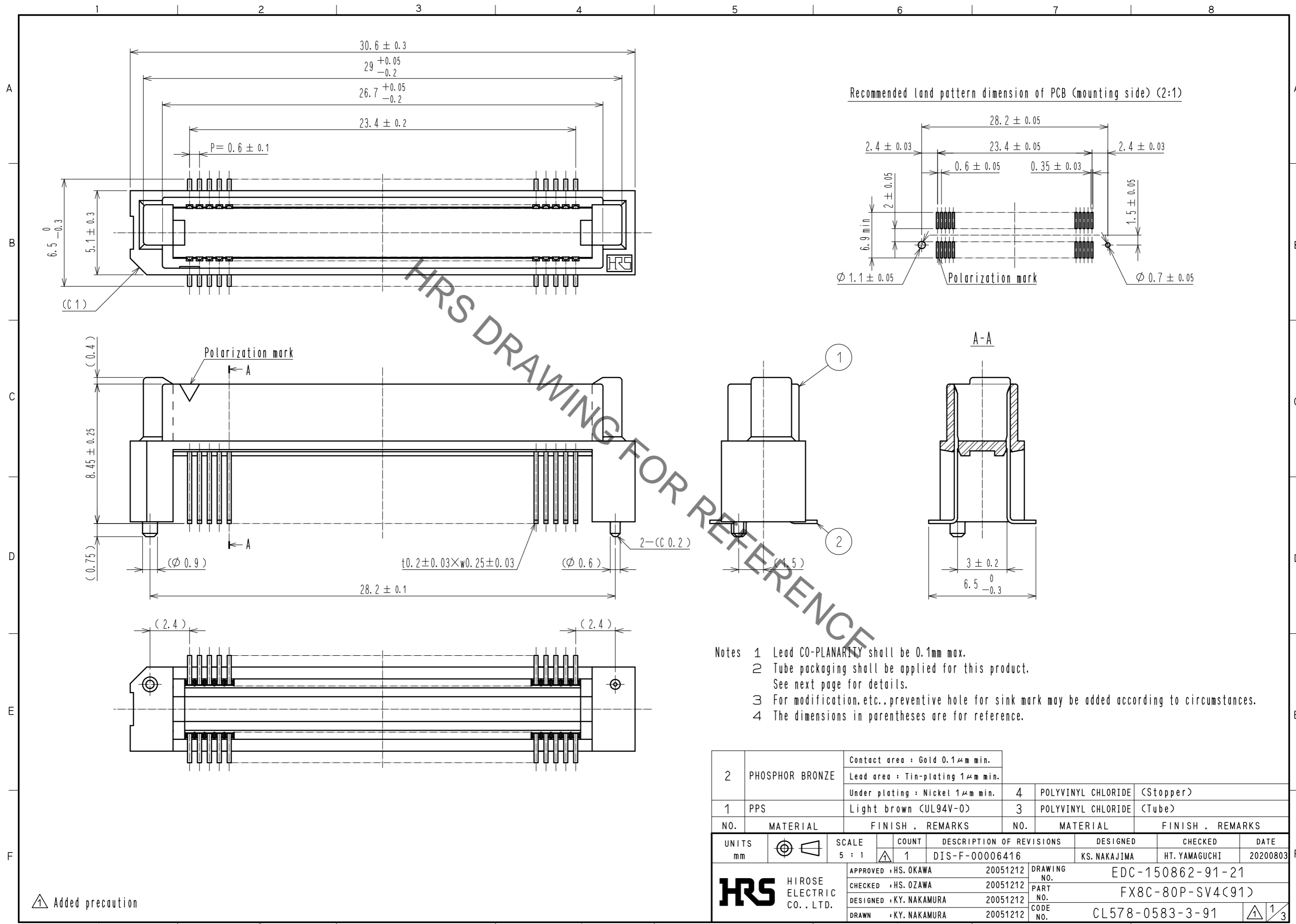


Aug.1.2020 Copyright 2020 HIROSE ELECTRIC CO., LTD. All Rights Reserved.  
In case of consideration for using Automotive equipment / device which demand high reliability, kindly contact our sales window correspondents.

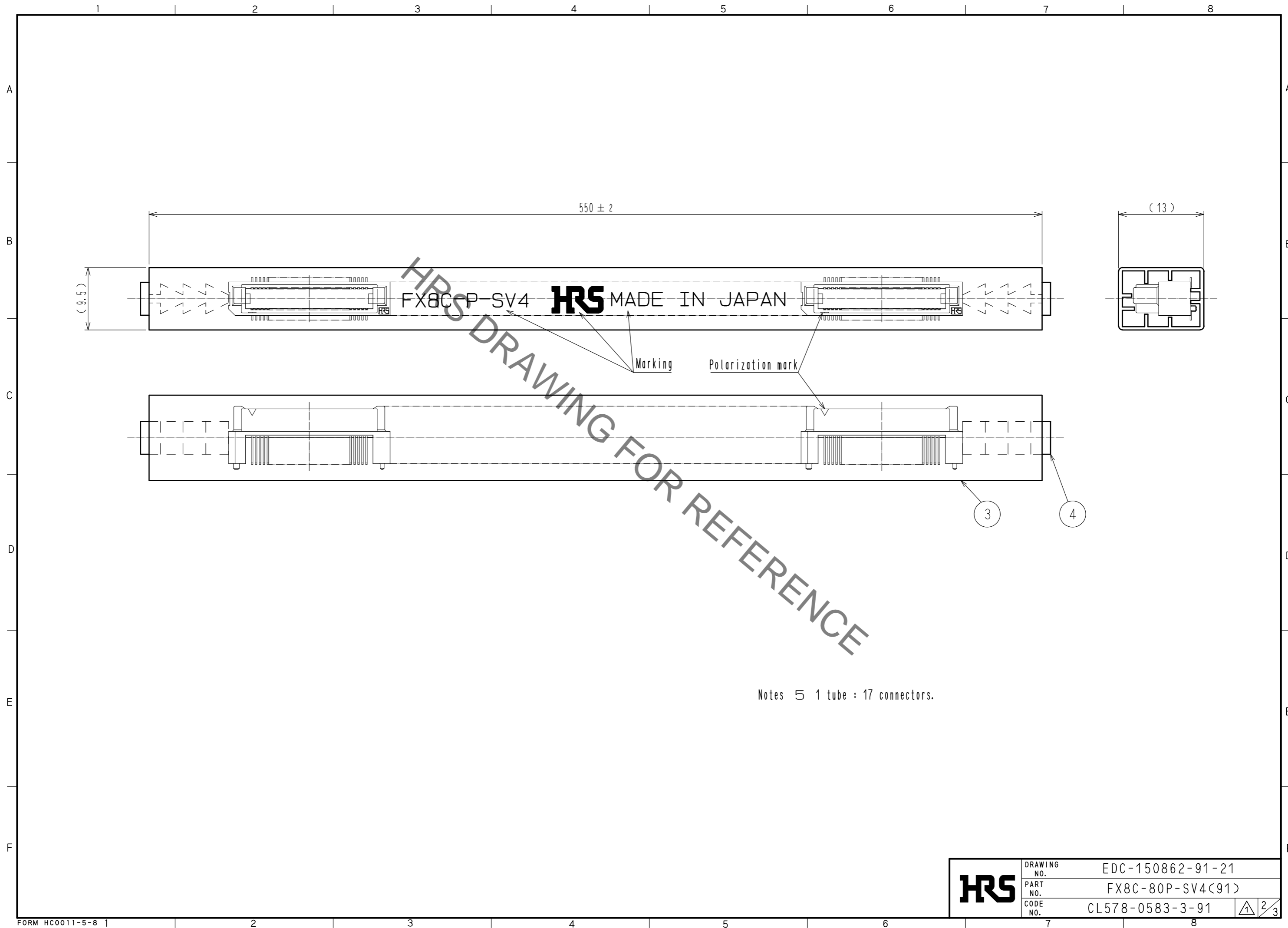


- Notes
- 1 Lead CO-PLANARITY shall be 0.1mm max.
  - 2 Tube packaging shall be applied for this product.  
See next page for details.
  - 3 For modification, etc., preventive hole for sink mark may be added according to circumstances.
  - 4 The dimensions in parentheses are for reference.

2	PHOSPHOR BRONZE	Contact area : Gold 0.1µm min.	4	POLYVINYL CHLORIDE	(Stopper)
		Lead area : Tin-plating 1µm min.			(Tube)
1	PPS	Under plating : Nickel 1µm min.	3	POLYVINYL CHLORIDE	(Tube)
		Light brown (UL94V-0)			
NO.	MATERIAL	FINISH . REMARKS	NO.	MATERIAL	FINISH . REMARKS
UNITS mm		SCALE 5 : 1	COUNT 1	DESCRIPTION OF REVISIONS DIS-F-00006416	
		DESIGNED KS. NAKAJIMA	CHECKED HT. YAMAGUCHI		DATE 20200803
<b>HRS</b> HIROSE ELECTRIC CO., LTD.		APPROVED : HS. OKAWA 20051212	DRAWING NO. EDC-150862-91-21		
		CHECKED : HS. OZAWA 20051212	PART NO. FX8C-80P-SV4(91)		
		DESIGNED : KY. NAKAMURA 20051212	CODE NO. CL578-0583-3-91		
		DRAWN : KY. NAKAMURA 20051212			

Added precaution

Aug.1.2020 Copyright 2020 HIROSE ELECTRIC CO., LTD. All Rights Reserved.  
In case of consideration for using Automotive equipment / device which demand high reliability, kindly contact our sales window correspondents.



<b>HRS</b>	DRAWING NO.	EDC-150862-91-21
	PART NO.	FX8C-80P-SV4(91)
	CODE NO.	CL578-0583-3-91
		2/3

Aug.1.2020 Copyright 2020 HIROSE ELECTRIC CO., LTD. All Rights Reserved.  
In case of consideration for using Automotive equipment / device which demand high reliability, kindly contact our sales window correspondents.

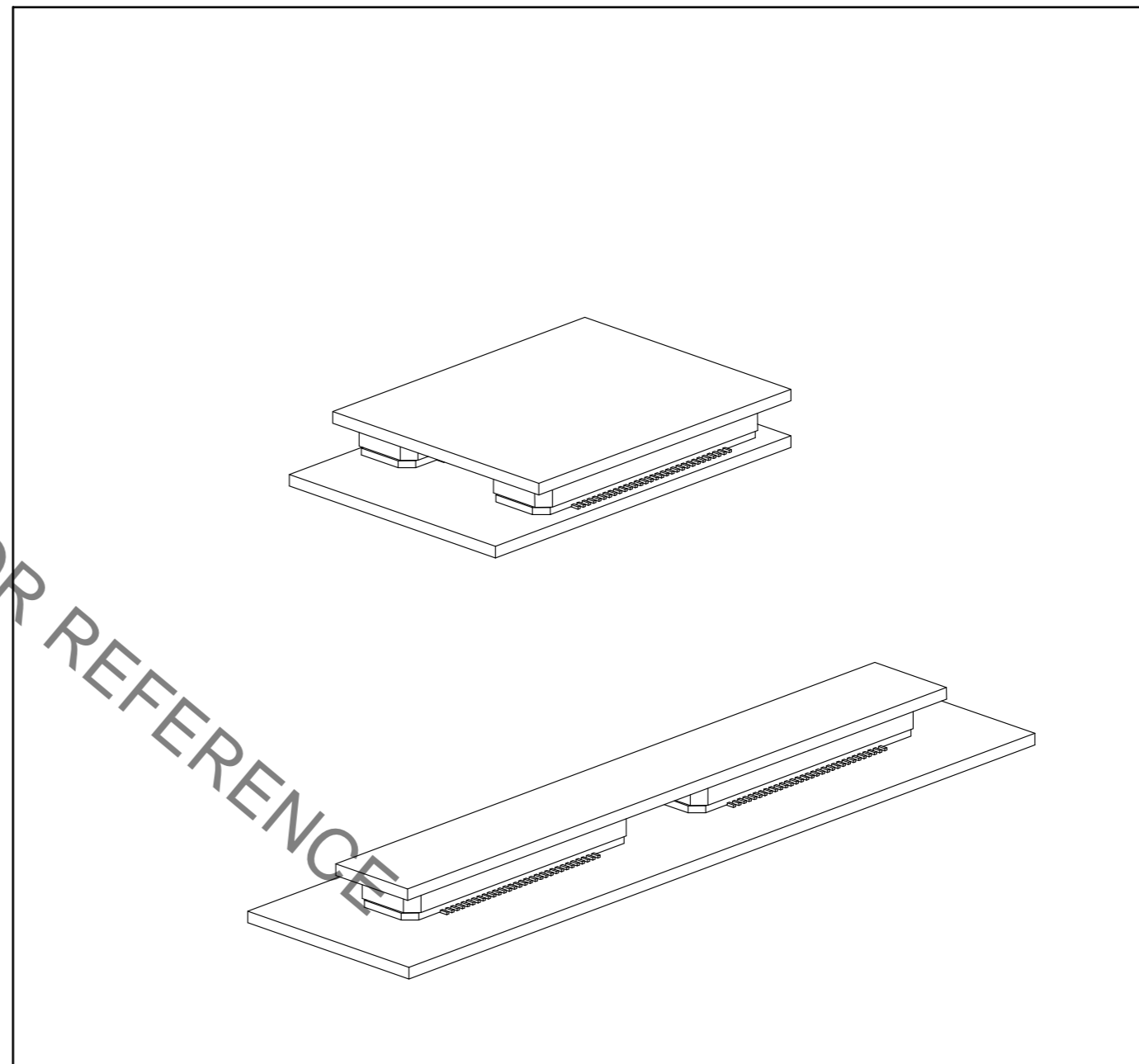
【 Precaution 】

When a board with multiple connectors mounted is mated, the connector may be damaged or deformed.  
Please divide one side of the board so only one connector is mated per board.

OK



NG



HRS DRAWING FOR REFERENCE

<b>HRS</b>	DRAWING NO.	EDC-150862-91-21
	PART NO.	FX8C-80P-SV4(91)
	CODE NO.	CL578-0583-3-91
		3/3