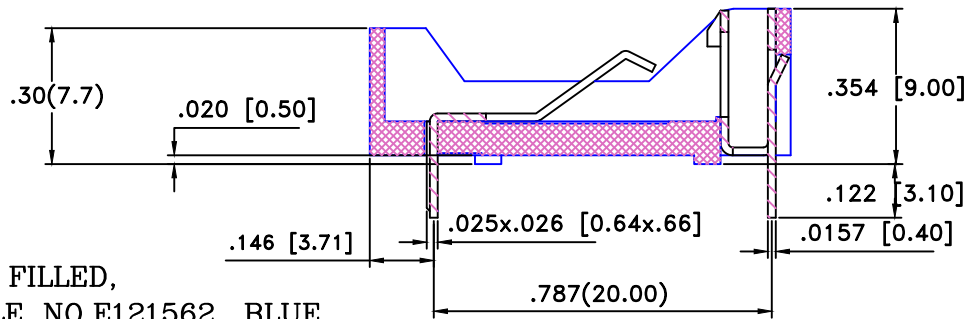
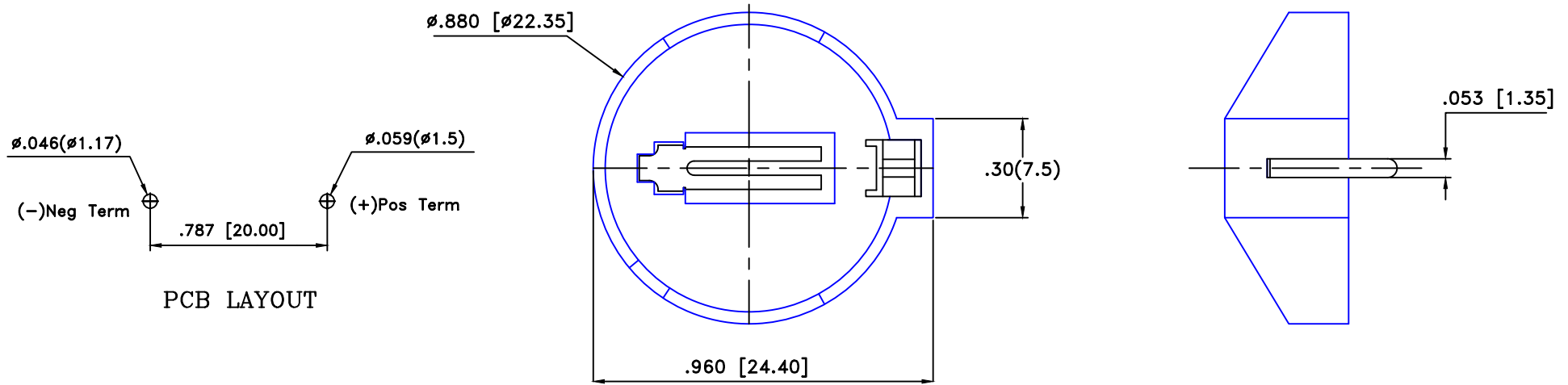


Date	SYM	REVISION RECORD	AUTH	DR.	CK.
05/04/12	A	REMOVED THE SOLDER DIPPED TAILS FROM NOTES	T.B.	B.S.	
07/13/18	B	UPDATED BODY MATERIAL	T.B.	B.S.	



MATERIAL


BODY: PBT 30% GLASS FILLED,
UL94V-0, UL FILE NO.E121562, BLUE
CONTACT: PHOSPHOR BRONZE

FINISH

CONTACT: NICKEL PLATED OVERALL

SPECIFICATIONS

APPLICATION FOR 3V LITHIUM BATTERY, CR2032 OR BR2032
INSULTOR RESISTANCE: 5000 MΩ MIN.
OPPERATION TEMPERATURE: -55°C TO +105°C
DURABILITY: 50 CYCLES MIN
CONTACT RESISTANCE: 30 MΩ MAX
ROHS COMPLIANT

Tolerance (Except as noted)	 Memory protection Devices, Inc 200 Broad Hollow Road, Farmingdale, New York 11735		
		decimal ±.5 (.020)	Scale 4=1
Fractional ± .8 (.030)	Title CR2032 BATTERY HOLDER WITH EASY RELEASE CLIP		
Angular ± 3°	Date 07/13/18	Drawing Number BS-7-BLUE	