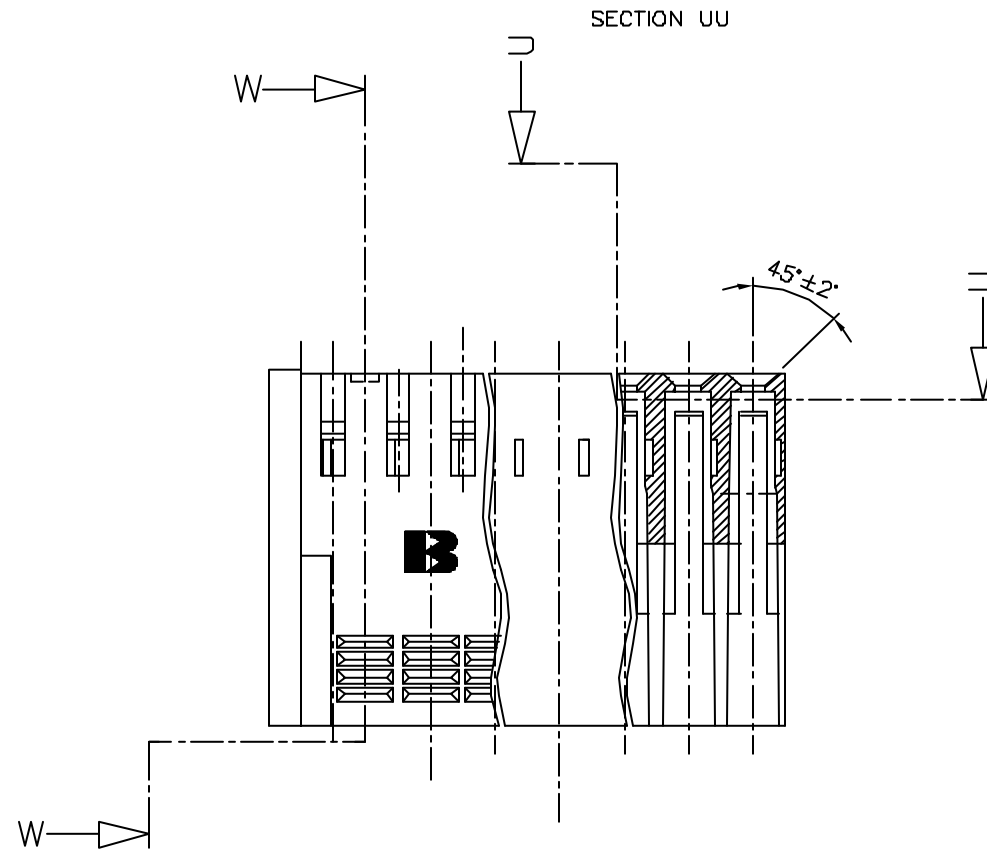
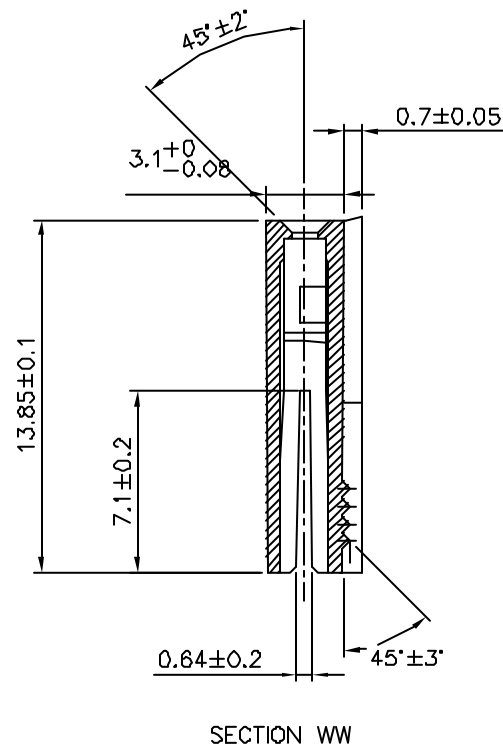
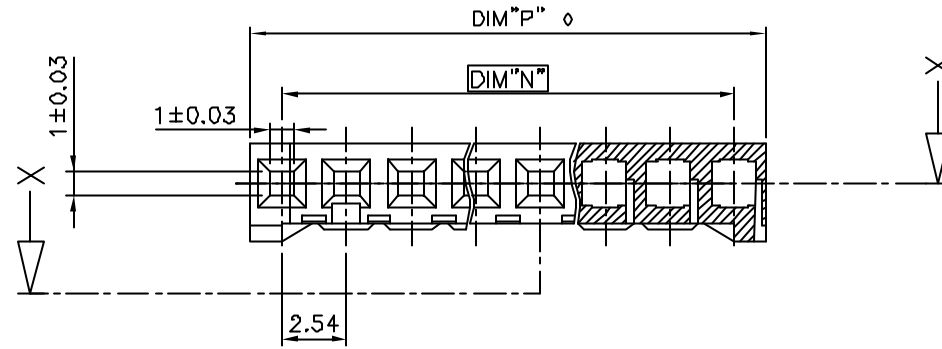


PRODUCT NUMBER  
67013-0XXLF

WHEN NEEDED, SUFFIX LETTER "LF"  
INDICATES THE PRODUCT IS RoHS  
COMPLIANT, SEE NOTE 5



NOTES:

- 1 - MOLDING MATERIAL: PBT 30% GLASS FILLED, COLOUR BLUE, FLAME RETARDANT, ACCORDING TO UL 94, CATEGORY V0.
  - 2 - OVER DASH NUMBER -006 ONLY THE FIRST AND LAST THREE POSITIONS MUST HAVE GROOVES ON TWO SIDES
  - 3 - THIS HOUSING IS INTENDED FOR USE WITH BERG TERMINAL # 76785-YXX AND BERG HEADERS # 76384-YXX OR 76382-YXX
  - 4 - FOR BERG DUFLEX CLINCHER APPLICATION DATA SEE SPECIFICATION TA-333 SHEET 213-10F1
  - 5 - RoHS COMPATIBLE PRODUCT SPECIFICATIONS
- a - LABELING:  
- MEETS PACKAGING SPECS AS PER GS-14-920
- b - LEGAL STATEMENT: SEE GS-22-008  
THE PRODUCT IS NOT INTENDED TO BE EXPOSED TO A MANUFACTURING SOLDER PROCESS.

| CUSTOMER COPY FOR REFERENCE ONLY |            |         |          |                                       |            |          |            |                           |              |
|----------------------------------|------------|---------|----------|---------------------------------------|------------|----------|------------|---------------------------|--------------|
| mat'l. code                      | SEE NOTE 1 | surface | ISO 1302 | tolerance                             | ISO 406    | ISO 101  | projection | product family            |              |
| lrr                              | ecr no     | dr      | date     | tolerances unless otherwise specified | angles     | linear   | mm         | VCC SR                    |              |
| K                                | FDB-0226   | DLE     | 06.07.07 |                                       |            |          |            | title                     |              |
| E                                | F0049B     | PNZ     | 00.09.13 |                                       |            |          | scale 5/1  | DUFLEX HOUSING SINGLE ROW |              |
| F                                | FD4-0347   | DLE     | 04.12.10 | dr                                    | D LEGRAND  | 08.07.13 | FCJ        | dwg no                    | sheet 1 of 2 |
| G                                | FD5-0168   | DLE     | 08.04.07 | engr                                  | JM PHAMVAN | 08.07.13 |            | 67013                     | A2           |
| H                                | FD5-0236   | DLE     | 05.08.24 | chr                                   | P NIZZI    | 08.07.13 |            | type                      |              |
| J                                | FD5-0286   | DLE     | 05.11.07 | appd                                  | JMP        | 08.07.13 |            | CUSTOMER Drawing          |              |
| sheet index                      | revision   | K       | J        |                                       |            |          |            |                           |              |
|                                  | sheet      | 1       | 2        |                                       |            |          |            |                           |              |

| NUMBER OF POS. | NUMBER OF POS. | DIM"N" | DIM"P" |
|----------------|----------------|--------|--------|
| 67013-002 LF   | 1 x 02         | 2.54   | 5.00   |
| 67013-003 LF   | 1 x 03         | 5.08   | 7.54   |
| 67013-004 LF   | 1 x 04         | 7.62   | 10.08  |
| 67013-005 LF   | 1 x 05         | 10.16  | 12.62  |
| 67013-006 LF   | 1 x 06         | 12.70  | 15.16  |
| 67013-007 LF   | 1 x 07         | 15.24  | 17.70  |
| 67013-008 LF   | 1 x 08         | 17.78  | 20.24  |
| 67013-009 LF   | 1 x 09         | 20.32  | 22.78  |
| 67013-010 LF   | 1 x 10         | 22.86  | 25.32  |
| 67013-011 LF   | 1 x 11         | 25.40  | 27.86  |
| 67013-012 LF   | 1 x 12         | 27.94  | 30.40  |
| 67013-013 LF   | 1 x 13         | 30.48  | 32.94  |
| 67013-014 LF   | 1 x 14         | 33.02  | 35.48  |
| 67013-015 LF   | 1 x 15         | 35.56  | 38.02  |
| 67013-016 LF   | 1 x 16         | 38.10  | 40.56  |
| 67013-017 LF   | 1 x 17         | 40.64  | 43.10  |
| 67013-018 LF   | 1 x 18         | 43.18  | 45.63  |
| 67013-019 LF   | 1 x 19         | 45.72  | 48.18  |
| 67013-020 LF   | 1 x 20         | 48.26  | 50.72  |

| NUMBER OF POS. | NUMBER OF POS. | DIM"N" | DIM"P" |
|----------------|----------------|--------|--------|
| 67013-021 LF   | 1 x 21         | 50.80  | 53.26  |
| 67013-022 LF   | 1 x 22         | 53.34  | 55.80  |
| 67013-023 LF   | 1 x 23         | 55.88  | 58.34  |
| 67013-024 LF   | 1 x 24         | 58.42  | 60.88  |
| 67013-025 LF   | 1 x 25         | 60.96  | 63.42  |
| 67013-026 LF   | 1 x 26         | 63.50  | 65.96  |
| 67013-027 LF   | 1 x 27         | 66.04  | 68.50  |
| 67013-028 LF   | 1 x 28         | 68.58  | 71.04  |
| 67013-029 LF   | 1 x 29         | 71.12  | 73.58  |
| 67013-030 LF   | 1 x 29         | 73.66  | 76.12  |
| 67013-031 LF   | 1 x 31         | 76.20  | 78.66  |
| 67013-032 LF   | 1 x 32         | 78.74  | 81.20  |
| 67013-033 LF   | 1 x 33         | 81.28  | 83.74  |
| 67013-034 LF   | 1 x 34         | 83.82  | 86.28  |
| 67013-035 LF   | 1 x 35         | 86.36  | 88.02  |
| 67013-036 LF   | 1 x 36         | 88.90  | 91.36  |

| CUSTOMER COPY FOR REFERENCE ONLY |          |                |  |                                       |                           |           |            |                           |                       |  |
|----------------------------------|----------|----------------|--|---------------------------------------|---------------------------|-----------|------------|---------------------------|-----------------------|--|
| mat'l. code                      |          |                | surface ISO 1302 <input checked="" type="checkbox"/> |                                       | tolerance ISO 406 ISO 101 |           | projection |                           | product family VCC SR |  |
| Ltr                              | ecn no   | dr             | date   | tolerances unless otherwise specified |                           | mm        |            | title                     |                       |  |
| C                                | F40060   | PNZ            | 94.02.07   | angles                                | Linear                    | .0±.x     |            | DUFLEX HOUSING SINGLE ROW |                       |  |
| D                                | FB0386   | DLE            | 98.03.13   | 0'±x'                                 |                           | .00±.0x   |            |                           |                       |  |
| E                                | F00499   | PNZ            | 00.09.13   |                                       |                           | .000±.00x |            | scale N/A                 |                       | dwg no 67013 sheet 2 of 2 size A3<br>type CUSTOMER Drawing |
| F                                | F04-0347 | DLE            | 04.12.10   | dr                                    | D LEGRAND                 | 98.07.13  |            |                           |                       |  |
| G                                | F05-0169 | DLE            | 05.04.07   | enr                                   | JM.PHAMVAN                | 98.07.13  |            |                           |                       |  |
| H                                | F05-0236 | DLE            | 05.08.24   | chr                                   | P.NIZZI                   | 98.03.13  |            |                           |                       |  |
| J                                | F06-0226 | DLE            | 06.07.07   | app                                   | JM.P                      | 98.03.13  |            |                           |                       |  |
| sheet index                      |          | revision sheet |  |                                       |                           |           |            |                           |                       |  |



Copyright FCI