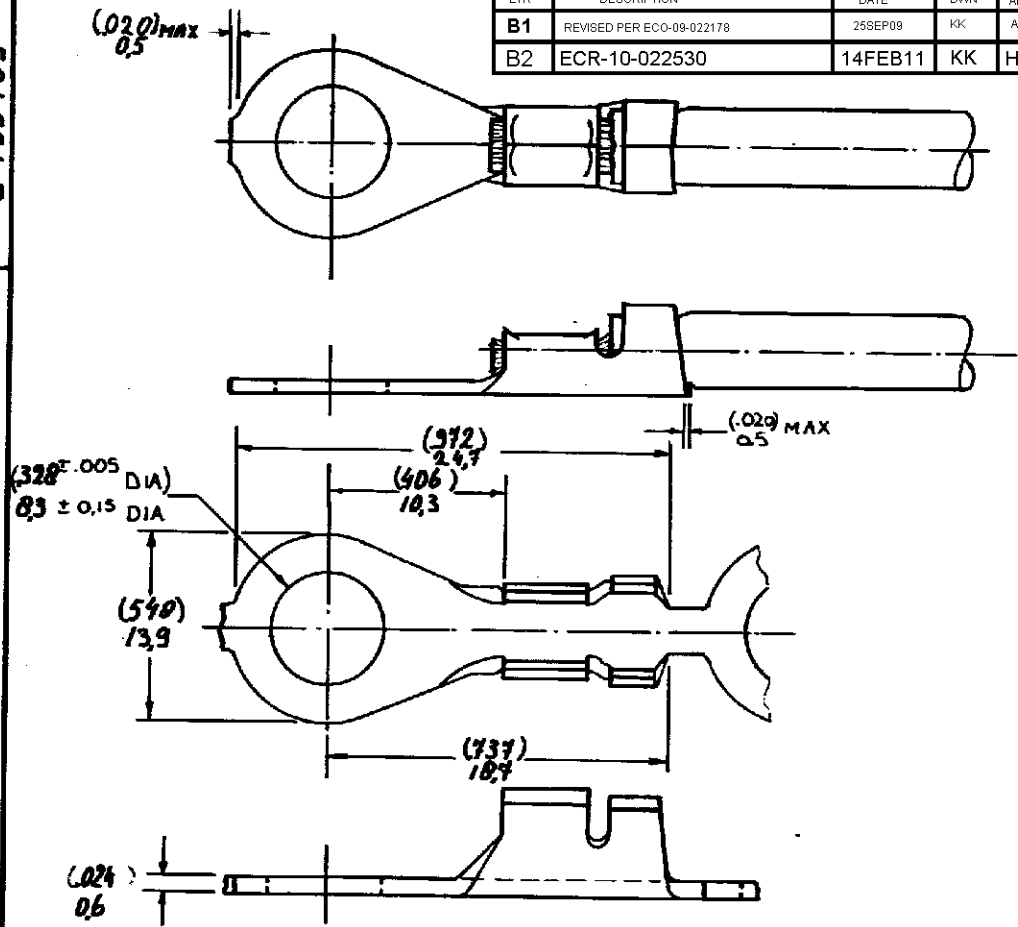


DRAWING MADE IN AMERICAN PROJECTION

REVISIONS

LTR	DESCRIPTION	DATE	DWN	APVD
B1	REVISED PER ECO-09-022178	25SEP09	KK	AEG
B2	ECR-10-022530	14FEB11	KK	HMR

NUMBER C-160789



- ① REEL WITH PAPER COVER
- ② OBSOLETE PARTS: OBSOLETE CIS STREAMLINING PER D.RENAUD/D.SINISI
- ③ OBSOLETE

DIMENSIONS IN INCHES DO NOT SCALE PRINT

160789-5	PH. BRONZE	—	—	①
② 160789-4	BRASS	—	—	①
160789-3	PHOSPHOR BR.	—	—	
160789-2	BRASS	TIN PLATED	—	
460780-4	BRASS	—	—	
ORDER NO.	MATERIAL	PLATING		
CHK <i>[Signature]</i>	S/ DATE 12-79	DE	DATE	
CHK KK	DATE 25/09/09	AE	DATE	

CUSTOMER COPY FOR REFERENCE ONLY

©1979 BY TE-HOLLAND N.V. ALL RIGHTS RESERVED TE PRODUCTS COVERED BY PATENTS AND/OR PATENTS PENDING.

TE
TE Connectivity

WIRE RANGE	RESUL. RANGE	FIRST USED
10-25	(100 - 150)	
	(2.54 - 3.81)	

SCALE	LOC	SIZE	NO	REV
N.T.S.	H	A	C-160789	B2

NAME RING TONGUE

Mouser Electronics

Authorized Distributor

Click to View Pricing, Inventory, Delivery & Lifecycle Information:

[TE Connectivity:](#)

[160789-3](#)