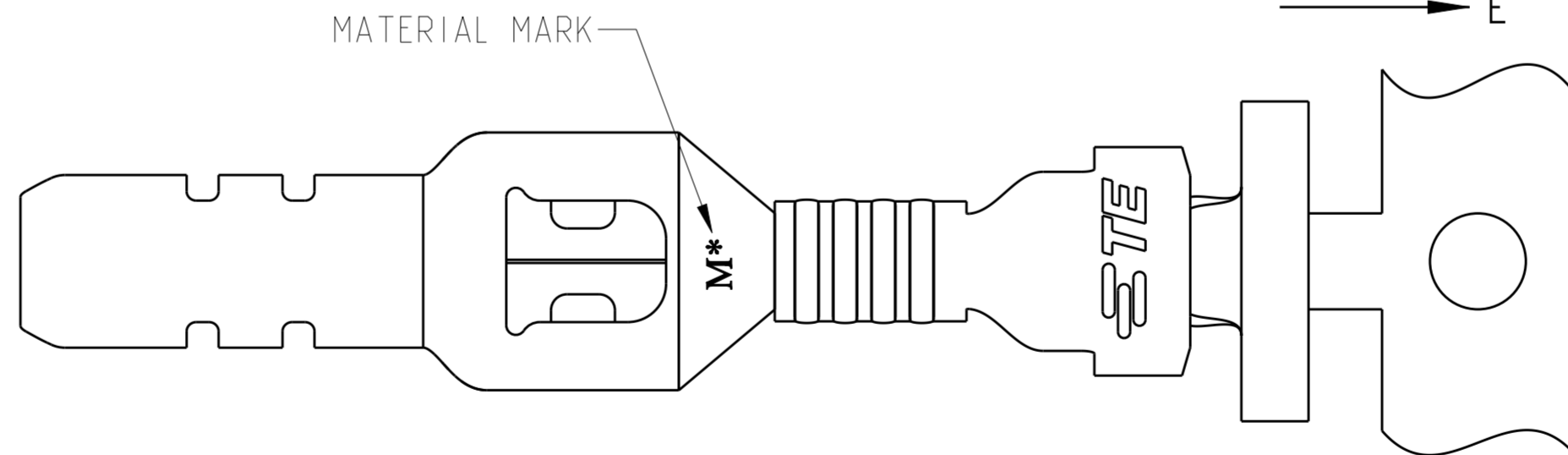
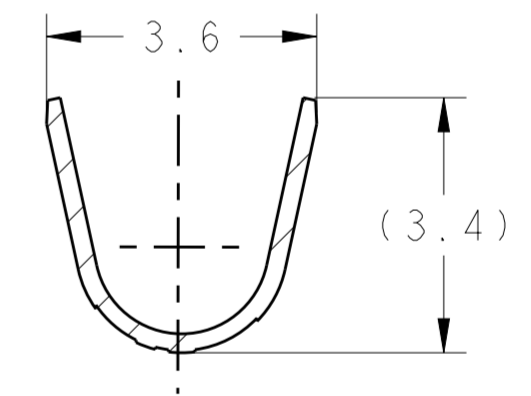
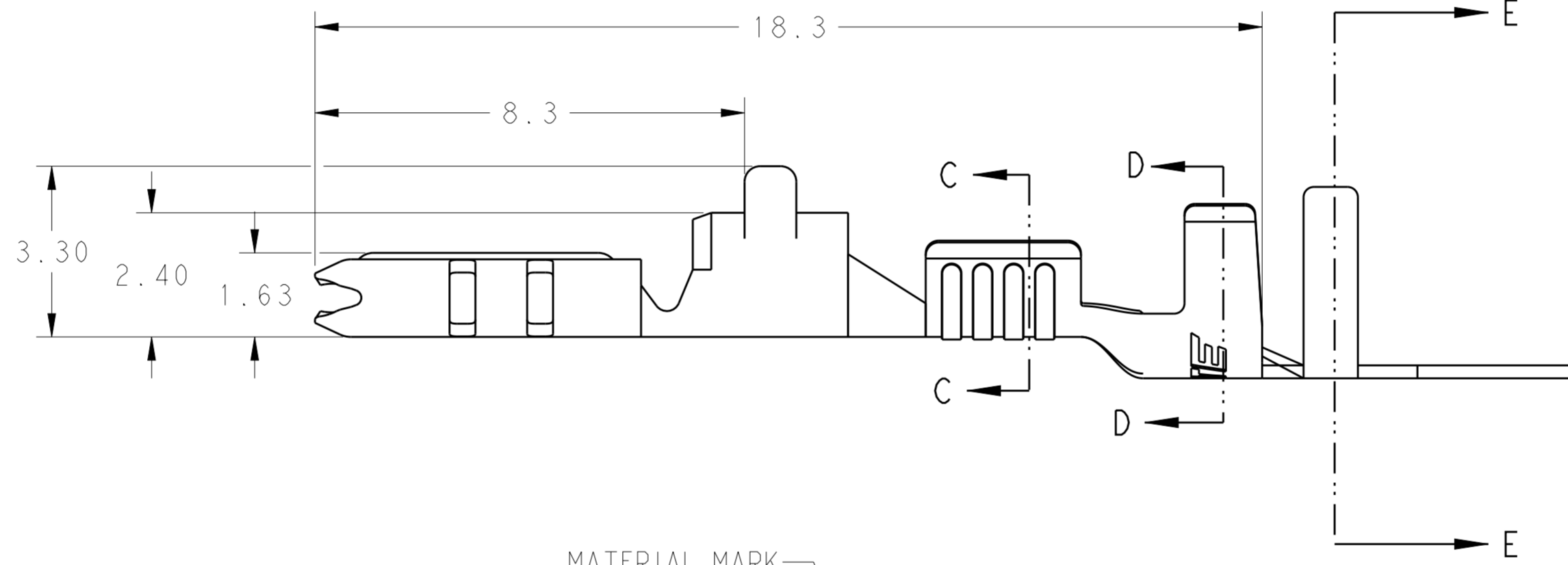
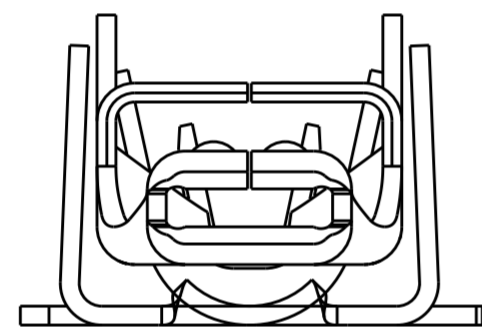
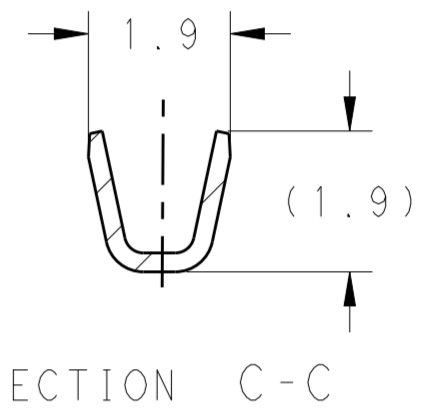
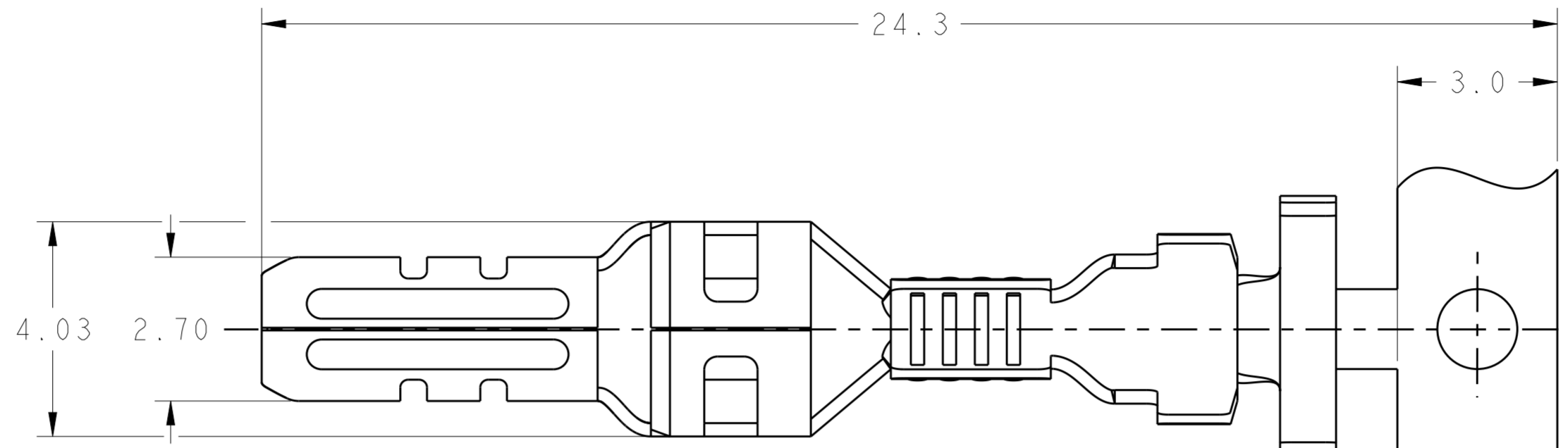
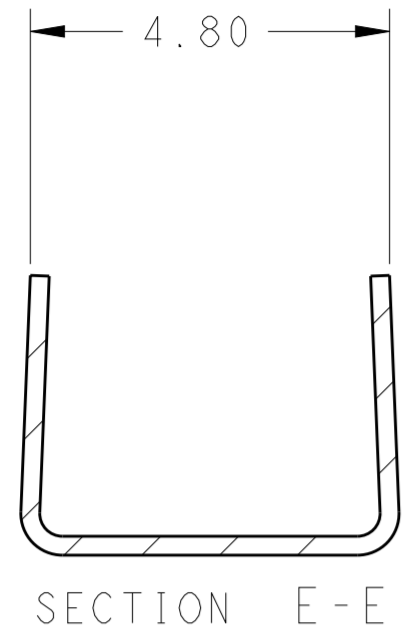


THIS DRAWING IS UNPUBLISHED. RELEASED FOR PUBLICATION 20  
 © COPYRIGHT 20 BY - ALL RIGHTS RESERVED.

LOC	DIST	REVISIONS					
ES	00	P	LTR	DESCRIPTION	DATE	DWN	APVD
		D1		REVISED PER ECR-116-016321	14NOV2016	RS	GJ



1. APPLICABLE WIRE: 20-22 AWG COPPER STRANDED
2. APPLICABLE INSULATION DIAMETER: 1.14-2.70mm
3. APPLICABLE MATED CAP HOUSING P/N:  
 \*-1971771-\*/\*-1971774-\*/\*-1971874-\*/  
 \*-1971772-\*/\*-1971775-\*/\*-1971875-\*/  
 \*-2232263-\*/\*-2232264-\*/\*-2232357-\*/  
 \*-2232358-\*/\*-2232359-\*/\*-2232360-\*

4. THIS PRODUCT HAS NOT COMPLETED VALIDATION TESTING.

COPPER ALLOY	HIGH(150°C)	M0	1971786-2
BRASS	STANDARD(105°C)	M8	1971786-1
MATERIAL	TEMP. RATING	MATERIAL MARK	PART NO

DIMENSIONS:		TOLERANCES UNLESS OTHERWISE SPECIFIED:		APVD		DWN	
mm		0 PLC ±		YUHONG MAO		TOMMY WU	
1 PLC ±0.5		1 PLC ±0.5		YUHONG MAO		TOMMY WU	
2 PLC ±0.30		2 PLC ±0.30		YUHONG MAO		TOMMY WU	
3 PLC ±		3 PLC ±		YUHONG MAO		TOMMY WU	
4 PLC ±		4 PLC ±		YUHONG MAO		TOMMY WU	
ANGLES ±		ANGLES ±		YUHONG MAO		TOMMY WU	
FINISH		FINISH		YUHONG MAO		TOMMY WU	
SEE TABLE		PRE-TIN		YUHONG MAO		TOMMY WU	

SIZE	CAGE CODE	DRAWING NO	RESTRICTED TO
A2	00779	1971786	-

Customer Drawing	SCALE	SHEET	OF	REV
Customer Drawing	5:1	1	1	D1

# Mouser Electronics

Authorized Distributor

Click to View Pricing, Inventory, Delivery & Lifecycle Information:

[TE Connectivity:](#)

[1971786-2](#)