

5

4

3

2

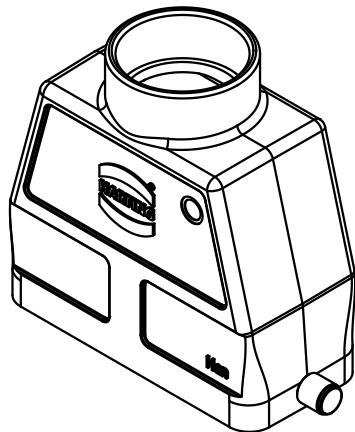
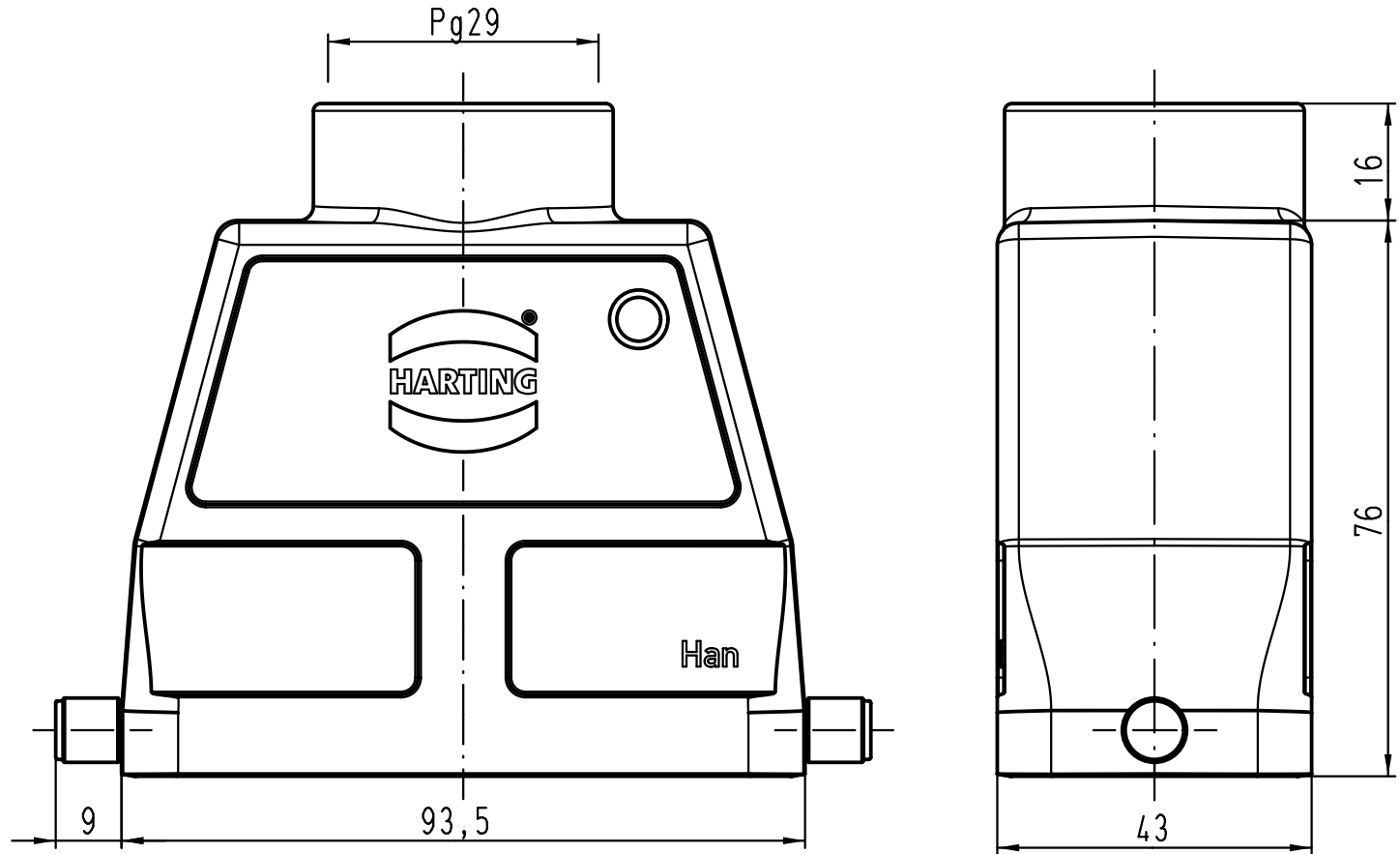
1

D

C

B

A



ALL Dimensions in mm Original Size DIN A 4			Techn. Character.			Nicht tolerierte Masse/ Free size tolerances			
				Dat.	Name	Mastab/ Scale 1:1	Han 16B-g-R-29 Gehäuse/hood		
				Detail.	11.04.11				Ho
				Insp.					Be
				Stand.					
A			HARTING Electric GmbH & Co. KG				TB 09 30 016 0441		
Mod.	Dat.	Name	D-32339 Espelkamp						Sub. TB 09 30 016 0441 v. 22.10.01
							Blatt/ page		

Mouser Electronics

Authorized Distributor

Click to View Pricing, Inventory, Delivery & Lifecycle Information:

[HARTING:](#)

[09300160441](#)