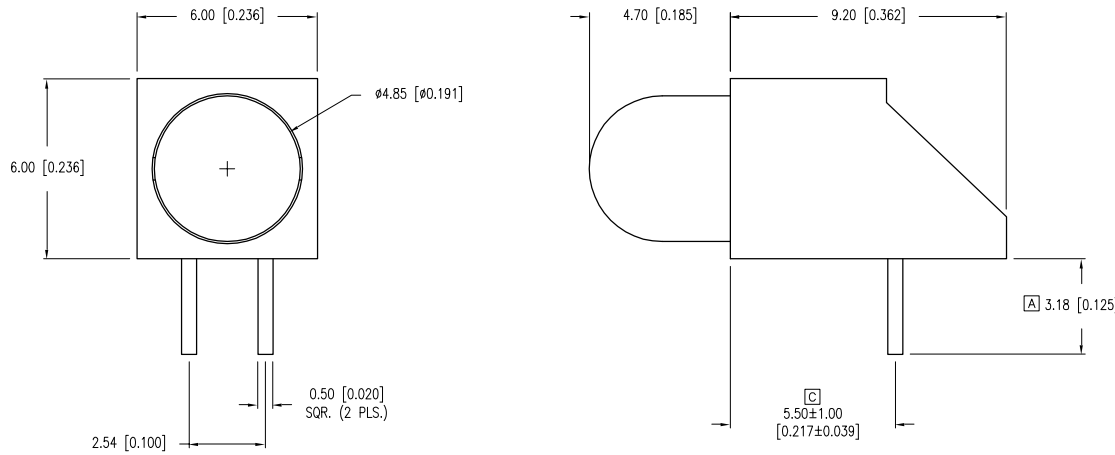


|             |                                     |      |      |
|-------------|-------------------------------------|------|------|
| PART NUMBER | SSF-LXH100ID-01                     | REV. | D    |
| DATE        | E.C.N. NUMBER AND REVISION COMMENTS |      | REV. |
| 10.02.93    | CHG'D LEAD LENGTH.                  |      | A    |
| 07.28.95    | UPDATED SPECS.                      |      | B    |
| 01.30.97    | E.C.N. #10301.                      |      | C    |
| 05.14.02    | E.C.N. #10BRDR. & REDRAWN IN 3D.    |      | D    |



ELECTRO-OPTICAL CHARACTERISTICS  $T_A=25^{\circ}\text{C}$   $I_f=20\text{mA}$

| PARAMETER          | MIN          | TYP | MAX | UNITS    | TEST COND            |
|--------------------|--------------|-----|-----|----------|----------------------|
| PEAK WAVELENGTH    |              | 635 |     | nm       |                      |
| FORWARD VOLTAGE    |              | 2.0 | 2.5 | $V_f$    |                      |
| REVERSE VOLTAGE    | 5.0          |     |     | $V_r$    | $I_f=100\mu\text{A}$ |
| AXIAL INTENSITY    |              | 40  |     | mcd      | $I_f=20\text{mA}$    |
| VIEWING ANGLE      |              | 60  |     | 2x theta |                      |
| EMITTED COLOR:     | RED          |     |     |          |                      |
| EPOXY LENS FINISH: | RED DIFFUSED |     |     |          |                      |

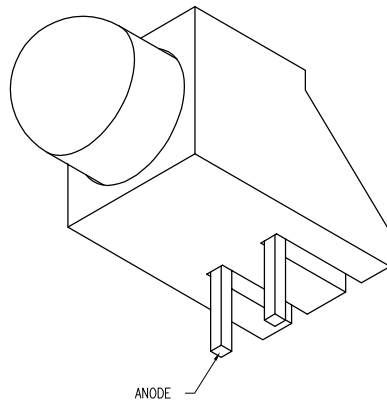
ⓑ LIMITS OF SAFE OPERATION AT 25°C

| PARAMETER                | MAX        | UNITS    |
|--------------------------|------------|----------|
| PEAK FORWARD CURRENT*    | 150        | mA       |
| STEADY CURRENT           | 30         | mA       |
| POWER DISSIPATION        | 105        | mW       |
| DERATE FROM 25°C         | -1.2       | mW/°C    |
| OPERATING, STORAGE TEMP. | -40 TO +85 | °C       |
| SOLDERING TEMP.          | +260       | °C       |
| 2.0mm FROM BODY          | 3          | SEC. MAX |

\*  $t < 10\mu\text{s}$

NOTES:

- SSL-LX509F3ID, RED LED.
- SSH-LXH100, BLACK HOLDER.



\*UNLESS OTHERWISE SPECIFIED TOLERANCES PER DECIMAL PRECISION ARE: X=±1 (±0.039), X.X=±0.5 (±0.020), X.XX=±0.25 (±0.010), X.XXX=±0.127 (±0.005). LEAD SIZE=±0.05 (±0.002), LEAD LENGTH=±0.75 (±0.030). MIN.=<sup>+DECIMAL PRECISION</sup><sub>-0.00</sub> MAX.=<sup>+0.00</sup><sub>-DECIMAL PRECISION</sub> UNCONTROLLED DOCUMENT



290 E. HELEN ROAD  
 PALATINE, IL 60067-6976  
 PHONE: +1.847.359.2790  
 FAX: +1.847.359.6538  
 WEB: WWW.LUMEX.COM

T-5mm (T-1 3/4) LED, RIGHT ANGLE FAULT INDICATOR, 635nm RED LED, RED DIFFUSED LENS.

\*\*THE SPECIFICATIONS MAY CHANGE AT ANY TIME WITHOUT NOTICE DUE TO NEW MATERIALS OR PRODUCT IMPROVEMENT.\*\*  
 CONFIDENTIAL INFORMATION  
 THE INFORMATION CONTAINED IN THIS DOCUMENT IS THE PROPERTY OF LUMEX INC. EXCEPT AS SPECIFICALLY AUTHORIZED IN WRITING BY LUMEX INC., THE HOLDER OF THIS DOCUMENT SHALL KEEP ALL INFORMATION CONTAINED HEREIN CONFIDENTIAL AND SHALL PROTECT SAME IN WHOLE OR IN PART FROM DISCLOSURE AND DISSEMINATION TO ALL THIRD PARTIES.

|        |           |           |         |
|--------|-----------|-----------|---------|
| DATE:  | 07.16.93  | DRAWN BY: | BC      |
| PAGE:  | 1 OF 1    | CHKD BY:  | KF      |
| SCALE: | N/A       | APRVD BY: | BC      |
| UNIT:  | mm [INCH] |           | (R) (D) |

# Mouser Electronics

Authorized Distributor

Click to View Pricing, Inventory, Delivery & Lifecycle Information:

Lumex:

[SSF-LXH100ID-01](#)