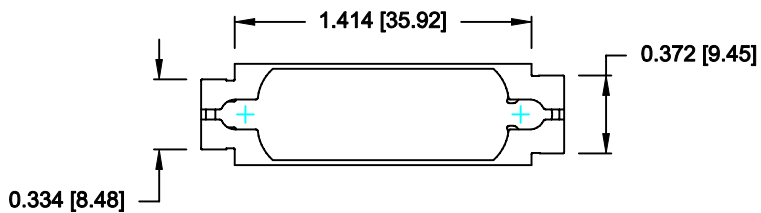
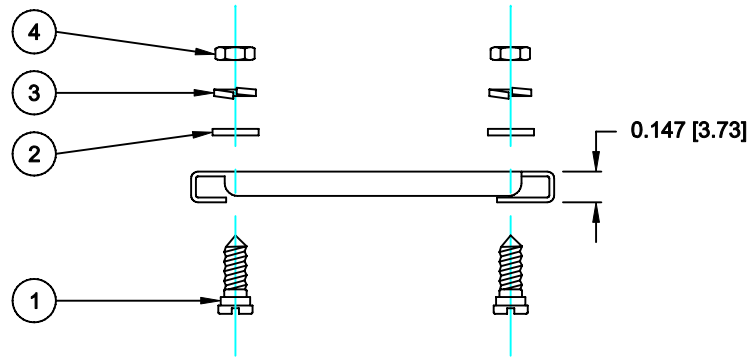
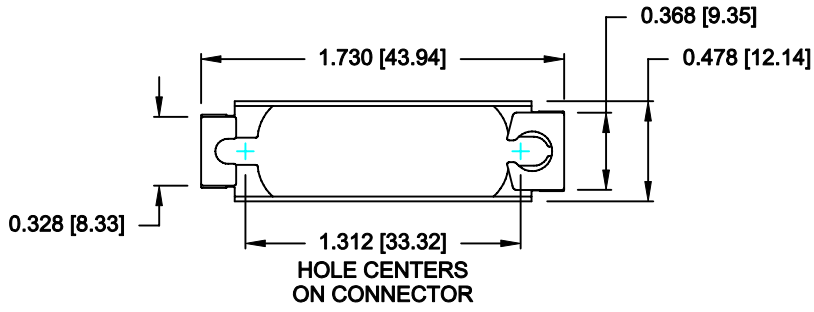


DESCRIPTION: 15-POSITION SLIDE LOCK

HIDDEN LINES
NOT SHOWN
FOR CLARITY



- KIT INCLUDES:**
 (1) SLIDE LOCK BAR
 (2) 4-40 POSTS
 (2) FLAT WASHERS
 (2) LOCK WASHERS
 (2) 4-40 NUTS

MATERIALS:
 SLIDE LOCK: STAINLESS STEEL
 WASHERS & NUT: STEEL NICKEL PLATED

SCREW

ITEM NO.
1

FLAT & SPLIT WASHERS

ITEM NO.	ID	OD	WIDTH
2	0.120	0.220	0.031
3	0.120	0.220	0.031

HEX NUT

ITEM NO.	ID	OD	WIDTH
4	4-40	0.187	0.062

DO NOT SCALE FROM DRAWING



THESE DRAWINGS AND SPECIFICATIONS ARE THE PROPERTY OF NorComp AND SHALL NOT BE REPRODUCED, COPIED OR USED AS THE BASIS FOR THE MANUFACTURE OF SALE OF APPARATUS WITHOUT WRITTEN PERMISSION.

DRAWN: WAYNE ROBBINS	DATE: 12-05-05
CHECKED:	DATE:

NorComp

SCALE: 1:1	SHEET 1	OF 1	REV 2
----------------------	-------------------	----------------	-----------------

DWG NO. **160-015-003R031**

RoHS COMPLIANT

Mouser Electronics

Authorized Distributor

Click to View Pricing, Inventory, Delivery & Lifecycle Information:

[NorComp:](#)

[160-015-003R031](#)