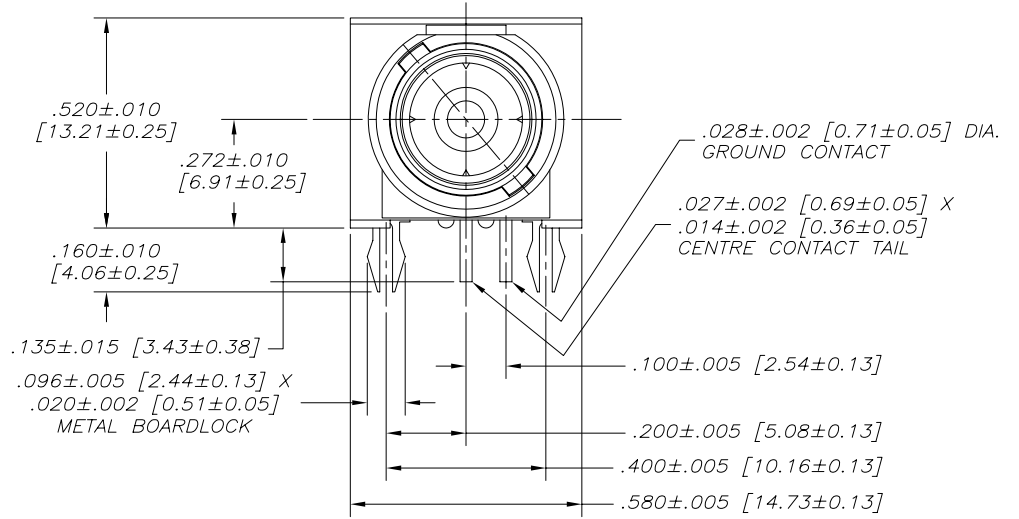
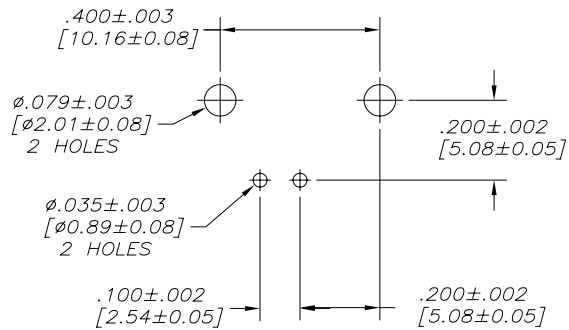


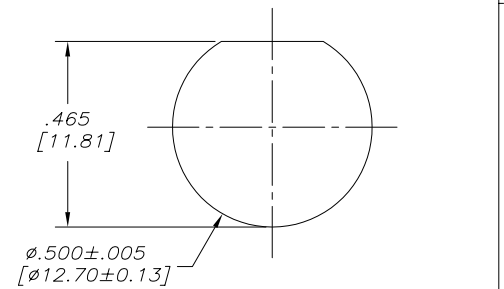
SIDE VIEW



FRONT VIEW



P.C.B. CONFIGURATION



RECOMMENDED PANEL CUT-OUT

MECHANICAL SPECIFICATION:

ALL MATERIALS ARE RoHS COMPLIANT PER EU DIRECTIVE 2002/95/EC AND AMENDMENTS

- BODY HOUSING : THERMOPLASTIC POLYESTER
- CENTER CONTACT : PHOSPHOR BRONZE, 10 MICRINCHES [0.25 MICRONS] GOLD PLATED OVER NICKEL ON MATING AREA AND TIN ON PCB TAILS.
- METAL BODY : HIGH STRENGTH ZINC DIECAST NICKEL PLATED

ELECTRICAL SPECIFICATION:

DIELECTRIC WITHSTANDING VOLTAGE	1000 VDC
IMPEDANCE (SEE PART NUMBER)	50 OR 75 OHM NOMINAL
OPERATING TEMPERATURE	-20°C TO +85°C

NOTE: BOARDLOCKS ARE ELECTRICALLY CONNECTED TO THE METAL BODY.



AMPHENOL PART NO.	IMPEDANCE
456E-117NF	50 OHM
456E-717NF	75 OHM

DRAWN	K. LAMBIE	DATE	JUN18/07
CHECKED			
DESIGNED			
APPROVED			
INDUSTRIAL ENG. APPRD.			
ENGINEERING RELEASE NO.			
REF.	EAR 13136		
DIMENSIONS ARE IN	INCHES[mm]	CODE IDENT. NO.	03554

Amphenol Canada Corp.

456E SERIES B.N.C. CONNECTOR, RIGHT ANGLE, NON-FILTERED, RoHS COMPLIANT

DWG	DRAWING NO.	REV.
C	P-456E-X17NF	A
SCALE	4/1	WT. ----- SURF. ----- SHEET 1 of 1

THIS DOCUMENT CONTAINS PROPRIETARY INFORMATION AND SUCH INFORMATION MAY NOT BE DISCLOSED TO OTHERS FOR ANY PURPOSE OR USED FOR MANUFACTURING PURPOSES WITHOUT WRITTEN PERMISSION FROM AMPHENOL CANADA CORP.

Mouser Electronics

Authorized Distributor

Click to View Pricing, Inventory, Delivery & Lifecycle Information:

[Amphenol:](#)

[456E717NF](#)