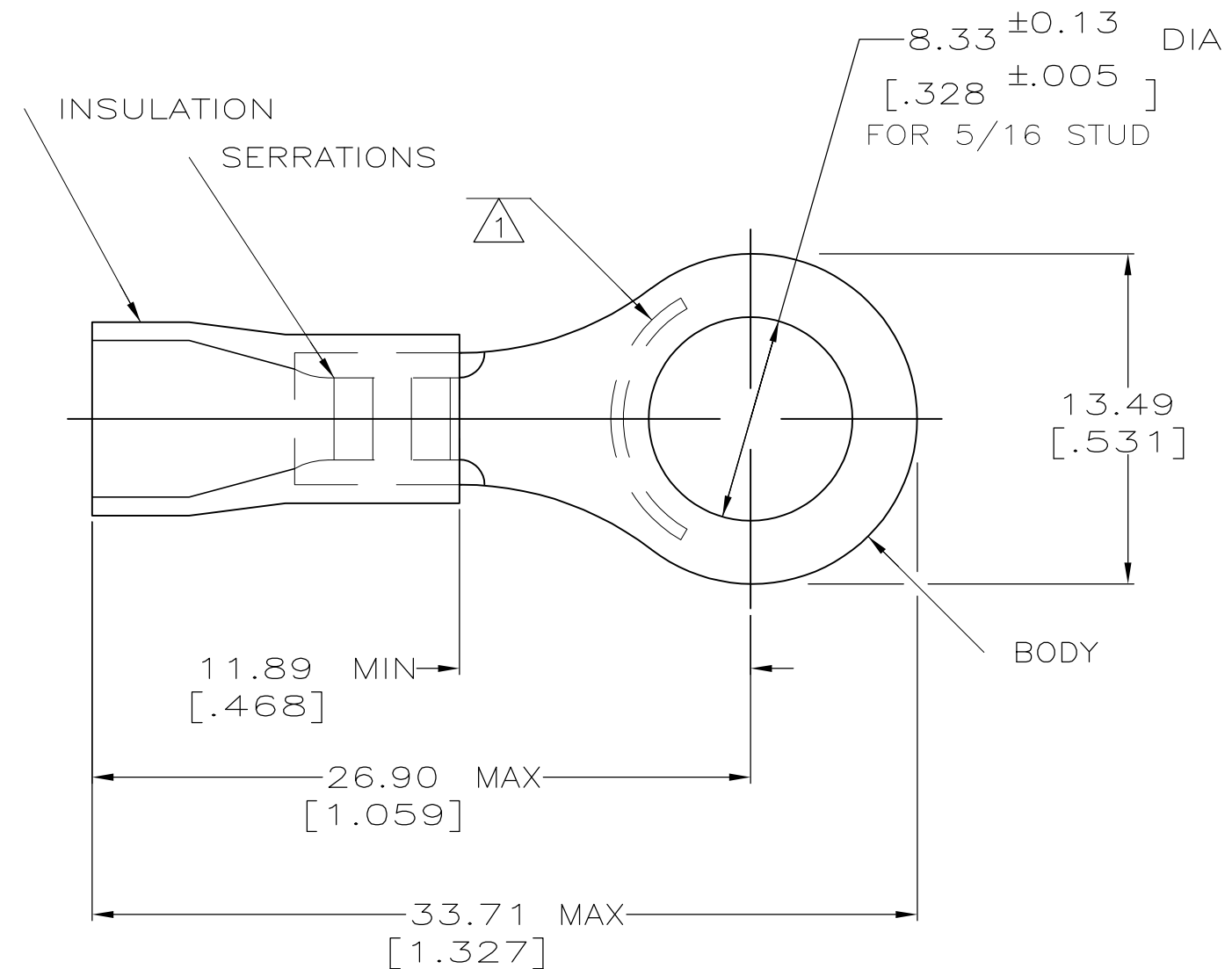


THIS DRAWING IS UNPUBLISHED. RELEASED FOR PUBLICATION
 © COPYRIGHT - By - ALL RIGHTS RESERVED.

LOC	DIST	REVISIONS			
P	LTR	DESCRIPTION	DATE	DWN	APVD
G	14	R2	REVISED PER ECO-11-005027	11MAR11	RK HMR

AMP WIRE RANGE	Listed	LR7189 Certified
12-10 AWG SOLID OR STRANDED	12-10 AWG SOLID OR STRANDED	12-10 AWG SOLID OR STRANDED



- 1 STAMP AMP 12-10*, APPROX AS SHOWN
- 2 WIRE INSULATION DIA: .150-.250
- 3 TONGUE MATERIAL THK IS 1.02±0.05 [.040±.002]
- 4 MATERIAL: BODY; COPPER PER ASTM B152
INSULATION; PVC
COLOR; YELLOW
- 5 MATERIAL: BODY; COPPER PER ASTM B152
INSULATION; PVC
COLOR; RED
- 6 MATERIAL: BODY; COPPER PER ASTM B152
INSULATION; PVC
COLOR; BLACK
- 7 FINISH: BODY; TIN PL. PER ASTM B545
- 8 FINISH: BODY; GOLD FLASH PER ASTM B-488
OVER NICKEL PLATE QQ-N-290

QTY	PACKAGE TYPE	PART NO
50	LOOSE PIECE, BOX	8-34856-2
2500	ON TAPE, REEL	2-34856-5
2500	ON TAPE, REEL	2-34856-1
2500	ON TAPE, REEL	34856-4
2500	ON TAPE, REEL	34856-2
500	LOOSE PIECE	34856-0

AMP INCORPORATED
CUSTOMER SERVICE SYSTEMS

FOR ADDITIONAL PRODUCT INFORMATION OR COPIES OF DRAWINGS AND TECHNICAL DOCUMENTS
 PRODUCT INFORMATION CENTER
 1-800-522-6752

FOR APPLICATION TOOLING INFORMATION
 TOOLING ASSISTANCE CENTER
 1-800-722-1111

FOR ORDER ENTRY
 1-800-526-5142

MAX RECOMMENDED OPERATING TEMPERATURE:
 105°C [221°F]

VOLTAGE RATING:
 N/A

CIRCULAR MIL AREA:
 2.62-6.64mm² [5180-13100]
 SOLID OR STRANDED

THIS DRAWING IS A CONTROLLED DOCUMENT.

DIMENSIONS: mm[INCHES]

TOLERANCES UNLESS OTHERWISE SPECIFIED:
 0 PLC ± -
 1 PLC ± -
 2 PLC ± 0.20[.008]
 3 PLC ± -
 4 PLC ± -
 ANGLES ± -

MATERIAL: SEE TABLE

FINISH: SEE TABLE

DWN DK SCHRUM 08/06/92
 CHK RE HERSEY 11/10/92
 APVD M ELLIS 11/10/92
 PRODUCT SPEC 108-1034
 APPLICATION SPEC NOT AVAILABLE
 WEIGHT -

STE TE Connectivity

NAME: TERMINAL, RING TONGUE, PLASTI-GRIP

SIZE: A3 CAGE CODE: 00779 DRAWING NO: C-34856 RESTRICTED TO: -

CUSTOMER DRAWING SCALE: 4:1 SHEET: 1 of 1 REV: R2

Mouser Electronics

Authorized Distributor

Click to View Pricing, Inventory, Delivery & Lifecycle Information:

[TE Connectivity:](#)

[8-34856-2](#)