

### SAFETY ORGANIZATIONS

THIS FILTER HAS BEEN FORMALLY RECOGNIZED, CERTIFIED OR APPROVED BY THE LISTED AGENCY. THEREFORE, ALL TEST/REQUIREMENTS SPECIFIED IN THE LATEST REVISION OF THE FOLLOWING AGENCY STANDARDS HAVE BEEN MET:

UL RECOGNIZED: UL 1283  
 CSA CERTIFIED: CSA 22.2, # 8  
 VDE APPROVED: EN 133200

### OPERATING SPECIFICATIONS

LINE CURRENT/VOLTAGE: 6 AMP/40°C, 120/250VAC

LINE FREQUENCY: 50-60Hz

MAXIMUM LEAKAGE CURRENT,  
 EACH LINE TO GROUND: 0.22mA @ 120V, 60Hz  
 0.38mA @ 250V, 50Hz

OPERATING AMBIENT TEMP. RANGE: -10°C TO +40°C @ RATED CURRENT,  $I_r$ .

IN AN AMBIENT,  $T_0$ , HIGHER THAN 40°C, THE MAXIMUM OPERATING CURRENT,  $I_0$ , IS AS FOLLOWS:

$$I_0 = I_r \sqrt{\frac{100 - T_0}{60}}$$

### RELIABILITY SPECIFICATIONS:

STORAGE TEMPERATURE: -40°C TO +85°C  
 HUMIDITY: 21 DAYS @ 40°C 95% RH.  
 CURRENT OVERLOAD TEST: 6 TIMES  $I_r$  FOR 8 SECONDS

### TEST SPECIFICATIONS:

INDUCTANCE: 0.93mH NOMINAL  
 CAPACITANCE: (MEASURED @ 1KHz, 0.250VAC MAX., 25°C±1°C)  
 LINE TO GROUND: 0.0059µF ±20%  
 LINE TO LINE: 0.2015µF ±20%  
 DISCHARGE RESISTOR: 1.0MΩ  
 L/G AND L/L I.R.: 6000MΩ (MIN.) @ 100VDC, 20°C AND 50% RH  
 NO DISCHARGE RESISTOR:

### RECOMMENDED RECEIVING INSPECTION HIPOT:

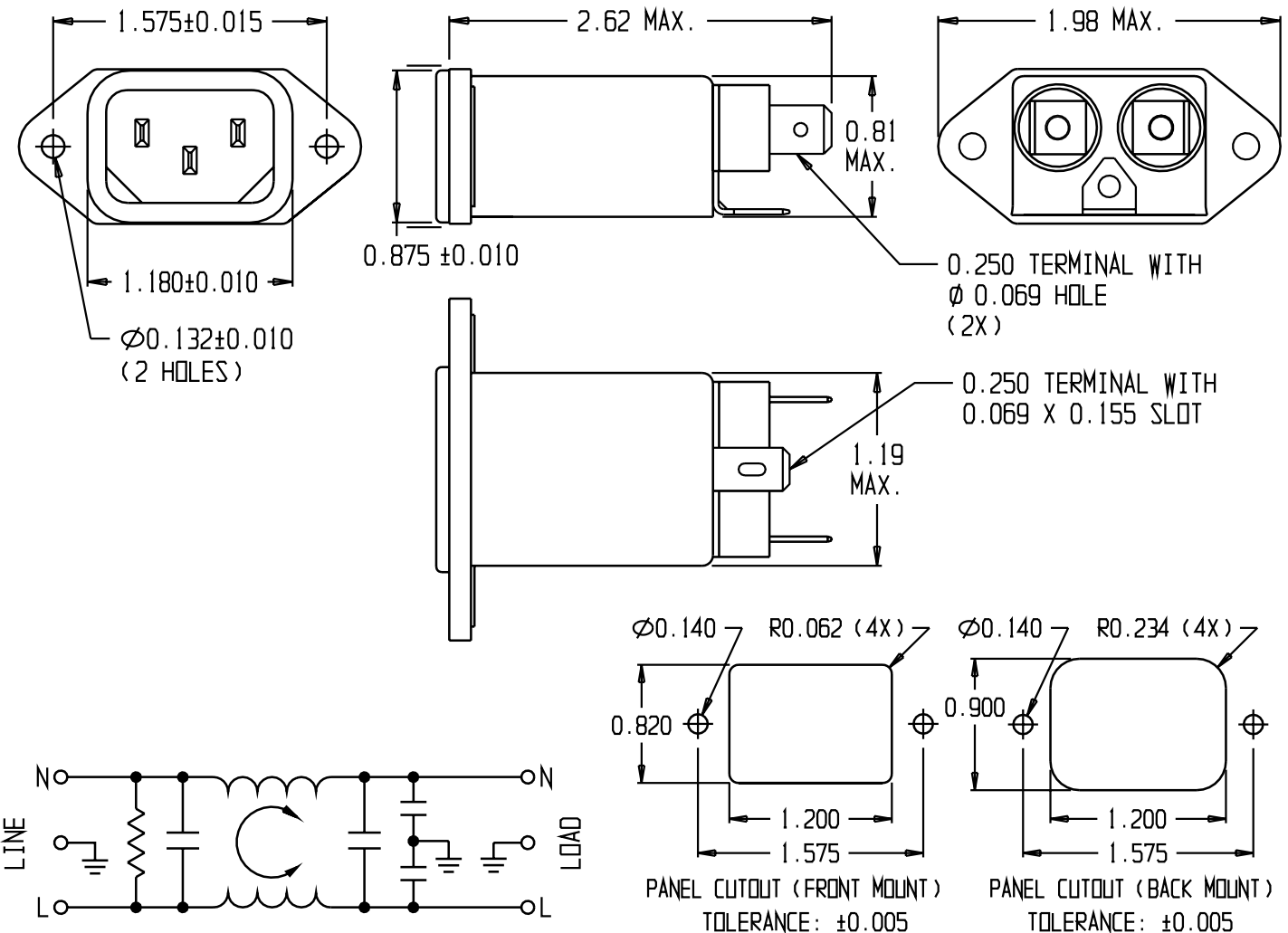
LINE TO GROUND: 1500VAC OR 2250VDC FOR 1 MINUTE  
 LINE TO LINE: 1450VDC FOR 1 MINUTE

### FILTER APPROVAL:

THE BEST WAY TO SELECT AND QUALIFY A FILTER IS FOR YOUR ENGINEERING TO TEST THE UNIT IN YOUR EQUIPMENT.

CATALOG # 6EC1

ECD #	APPRVD.	DATE
	KAW	21NOV06



### 50Ω- 50Ω (MINIMUM) INSERTION LOSS

FREQUENCY MHz	0.15	0.5	0.6	1.0	2.0	5.0	10	20	30
COMMON dB	15	22	-	25	30	40	45	50	50
DIFF. dB	10	10	10	40	60	65	60	40	40

THIRD ANGLE PROJECTION



UNLESS OTHERWISE SPECIFIED, TOLERANCE TO BE ±.025 MATERIAL & FINISH: AS SUPPLIED

This document is proprietary to CORCOM INC. and is not to be reproduced nor used for manufacturing purposes except on CORCOM'S prior written consent.

**tyco** Electronics **corcom**  
 620 S. BUTTERFIELD ROAD MUNDLEIGH IL 60060

### CUSTOMER DRAWING 6EC1

TYCO: 0-6609017-9	SCALE: NTS	DATE: 12SEP89	CATALOG NO. 6EC1	REV. B
DRW. BY: JF	ORIG: KAW			

# Mouser Electronics

Authorized Distributor

Click to View Pricing, Inventory, Delivery & Lifecycle Information:

[TE Connectivity:](#)

[6EC1](#)