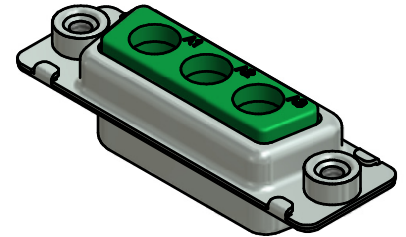
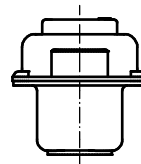
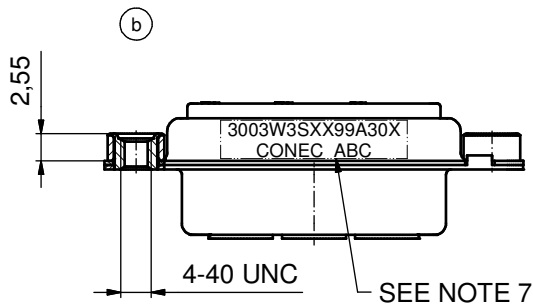
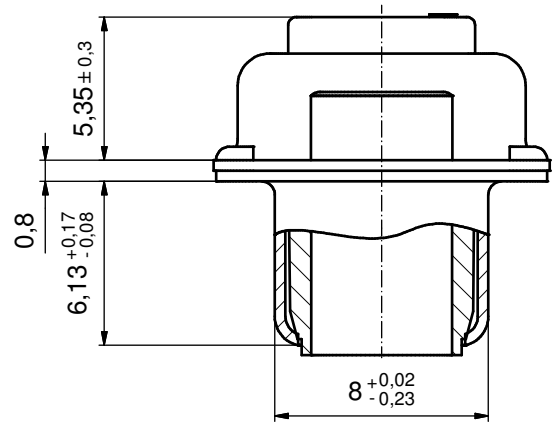
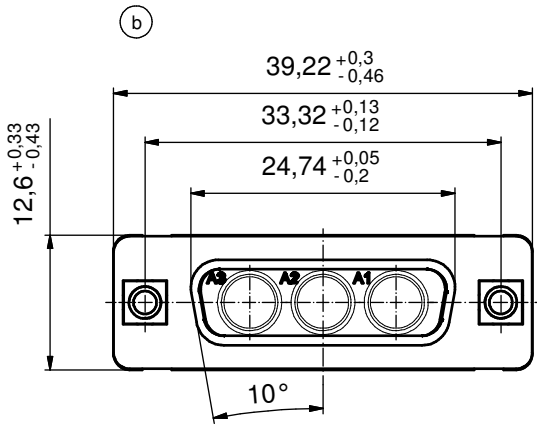


(5:1)



**NOTES:**

1. METALSHELLS: STEEL; min. 315µm TIN over 40-80µm NICKEL
2. INSULATORS: PBT GF UL 94 V-0; GREEN
3. NO CONTACTS ON POS. A1 - A3
4. THREADED INSERTS: COPPER ALLOY; min. 200µm TIN over 80µm NICKEL
5. COLLARS: COPPER ALLOY; min. 200µm TIN over 80µm NICKEL
6. MAXIMUM TORQUE VALUE FOR THREAD: 6 in.LB
7. CONNECTOR IS PART MARKED: 3003W3SXX99A30X CONEC ABC

Directive 2002/95/EC RoHS compliant

THIS DRAWING MAY NOT BE COPIED OR REPRODUCED IN ANY WAY, AND MAY NOT BE PASSED ON TO A THIRD PARTY WITHOUT WRITTEN PERMISSION. OWNERSHIP AND COPYRIGHT OF CONEC GmbH DO NOT ALTER CAD DRAWING BY HAND					tolerance		scale: 2:1 (5:1)
					date	name	material: SEE NOTES
					drawn	20.08.12 Henneboel	title: <b>D-SUB COMBINATION FEMALE</b> 3W3S with threaded insert
					appd.	20.08.12 Koch	
					norm		
					d-old		dwg no:
	3 x b	Ä4433	20.08.2012	K.H.			13K1A348A
a	Original			sh: 1			
rev.	description	date	name			part no: 3003W3SXX99A30X	

# Mouser Electronics

Authorized Distributor

Click to View Pricing, Inventory, Delivery & Lifecycle Information:

[CONEC:](#)

[3003W3SXX99A30X](#)