

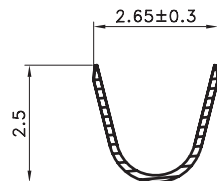
1

2

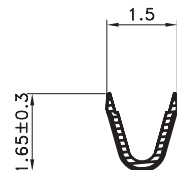
3

4

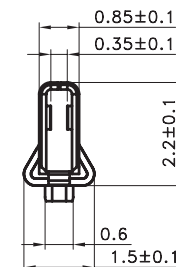
5



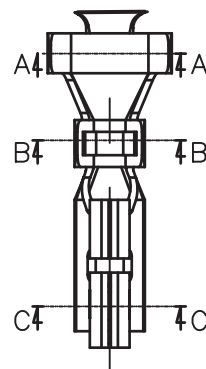
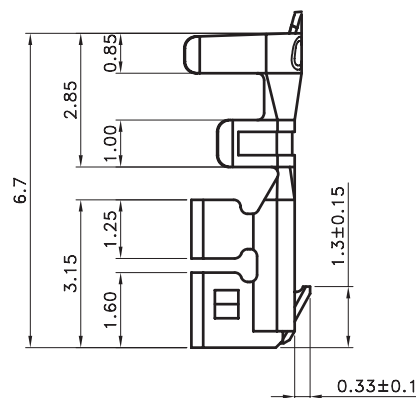
SEC.A-A



SEC.B-B



SEC.C-C



## TECHNICAL CHARACTERISTICS

## MATERIAL

CONTACT MATERIAL: COPPER ALLOY  
 CONTACT TYPE: STAMPED  
 CONTACT PLATING: TIN  
 QUALITY CLASS: 25 MATING CYCLES  
 PITCH: 2.00MM

## ENVIRONMENTAL

OPERATING TEMPERATURE: -25 UP TO 85°C  
 COMPLIANCE: LEAD FREE AND ROHS

## ELECTRICAL

CURRENT RATING: 3 A  
 WORKING VOLTAGE: 250 VAC  
 CONTACT RESISTANCE: 20 mOHM MAX

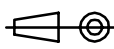

## WIRE DIMENSION

AWG: AWG 22 - 28

## PACKAGING

BULK/LOOSE DELIVERY IN A BAG  
 EACH TERMINAL SEPARATED FROM EACH OTHER  
 NOT ON A REEL  
 100PCS/PER BAG. MULTIPLE OF 100PCS ONLY  
 1PC OF 62400113722DEC =1 CRIMP TERMINAL  
 SO 1 BAG MEANS 100 PCS OF 62400113722DEC

RoHS Compliant

G				PROJECTION: 	GENERAL TOLERANCE .X = +/- 0.3 .XX = +/- 0.2		DESCRIPTION: 2.00 MM DUAL ROW FEMALE CRIMP TERMINAL	SIZE
F								
E								
D	25-JAN-16	TPK UPDATE	AK					
C	06-AUG-13	CHARACTERISTIC	QL	APPROVAL: BBu	UNIT: MM	WÜRTH ELEKTRONIK	WERI PART NO: 624 001 137 22DEC	A4
B	29-JUL-13	DWG & CARAC	QL		SCALE:			
A	15-MAY-12	PDF	GG		SHEET: 1/3			
REV	DATE	FILE	BY		DRAW: MIKE			

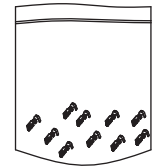
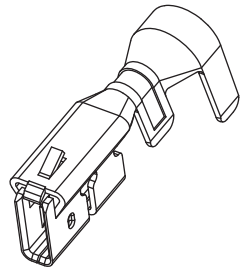
1

2

3

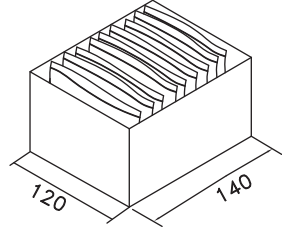
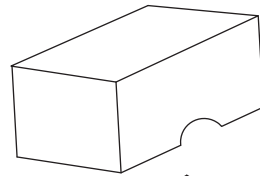
4

5

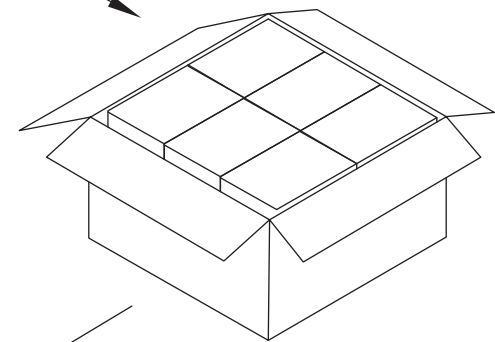


100PCS/BAG

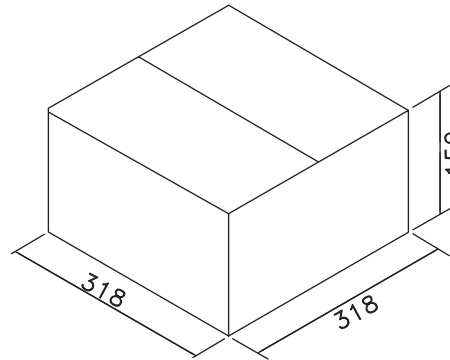
COVER



20bags(2kps)/BOX



12BOXES(24KPCS)/Carton



Note:  
Box size: 120\*140\*60

RoHS Compliant			
G			
F			
E			
D			
C			
B			
A			
REV	DATE	FILE	BY

PROJECTION:

GENERAL TOLERANCE  
.X = +/- 0.2  
.XX = +/- 0.15



APPROVAL: BBu

UNIT: MM  
SCALE:  
SHEET: 2/3  
DRAW: MIKE

DESCRIPTION: 2.00MM DUAL ROW FEMALE CRIMP CONTACT TERMINAL  
WERI PART NO: 624 001 137 22 DEC

SIZE  
**A4**

A

B

C

D

1

2

3

4

5

## Cautions and Warnings:

This electronic component is designed and developed with the intention for use in general electronics equipments.

Before incorporating the components into any equipments in the field such as aerospace, aviation, nuclear control, submarine, transportation, (automotive control, train control, ship control), transportation signal, disaster prevention, medical, public information network etc. where higher safety and reliability are especially required or if there is possibility of direct damage or injury to human body, Würth Elektronik must be asked for a written approval.

In addition, even electronic component in general electronic equipments, when used in electrical circuits that require high safety, reliability functions or performance, the sufficient reliability evaluation-check for the safety must be performed before by the user before usage.

A

B

C

RoHS Compliant

G				PROJECTION: 	GENERAL TOLERANCE .X = +/- 0.2 .XX = +/- 0.15		
F							
E							
D							
C				APPROVAL: JC	UNIT: MM	DESCRIPTION: DISCLAIMER	SIZE <b>A4</b>
B					SCALE:		
A	10-SEP-14	PDF	QL		SHEET: 3/3	WERI PART NO: DISCLAIMER	
REV	DATE	FILE	BY		DRAW: QL		

D

# Mouser Electronics

Authorized Distributor

Click to View Pricing, Inventory, Delivery & Lifecycle Information:

[Wurth Electronics:](#)

[62400113722DEC](#)