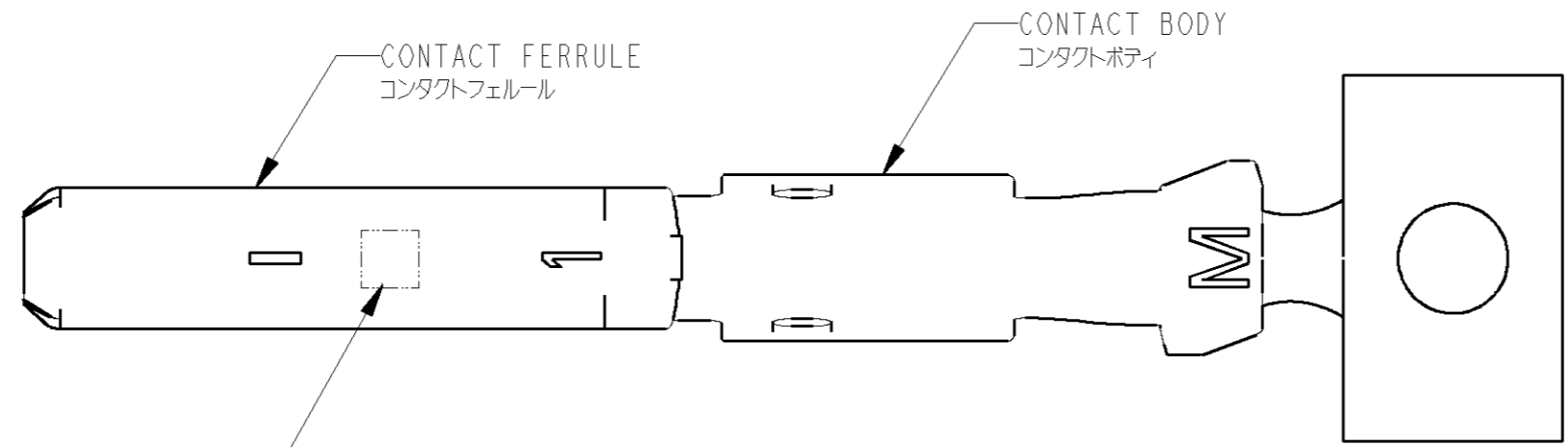
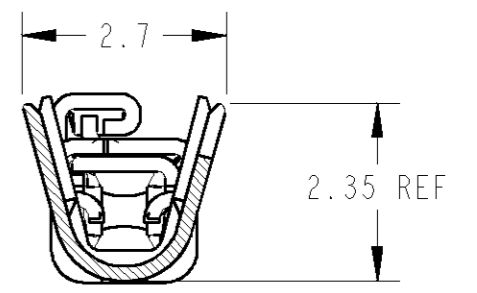
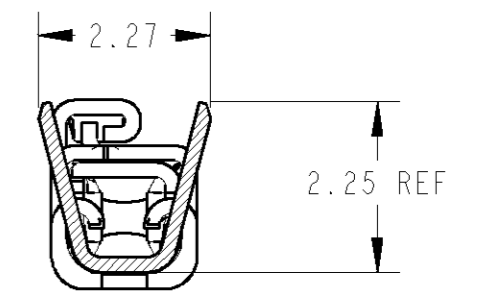
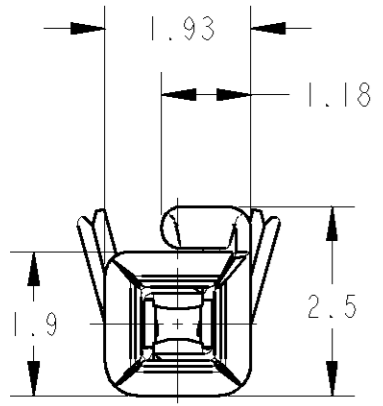
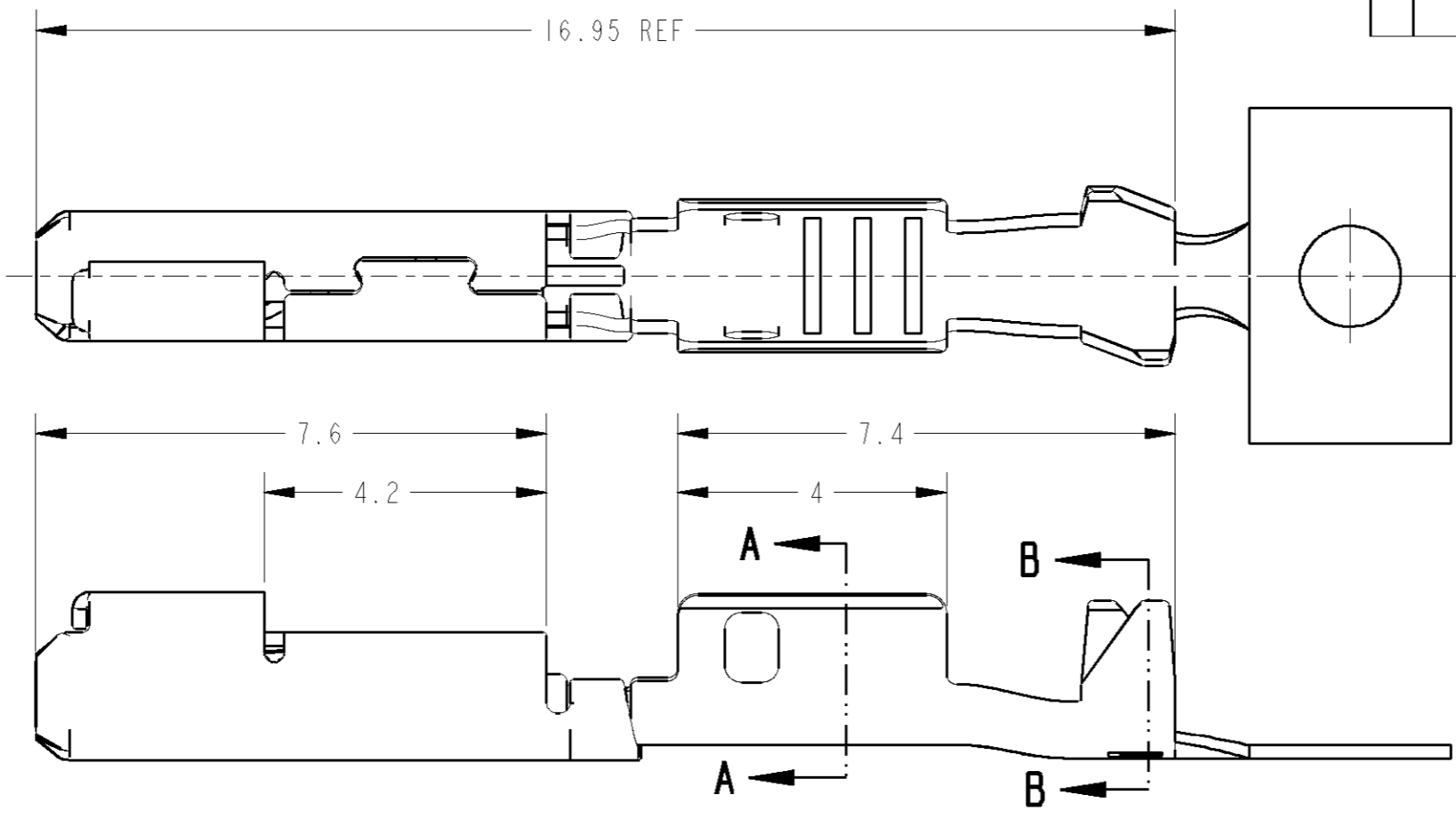


THIS DRAWING IS UNPUBLISHED. RELEASED FOR PUBLICATION 20
 © COPYRIGHT 20 BY TYCO ELECTRONICS CORPORATION. ALL RIGHTS RESERVED.

LOC	LIST	REVISIONS					
P	LTR	DESCRIPTION	ECN	DATE	DWN	APVD	
J	X	B1	REVISED	FJA0-0022-04	22-Jan-04	Y.N	Y.F
		C	REVISED	ECR-10-005857	13MAY10	SF	KB



1. APPLICATOR FEED: 8mm
 1. アプリケータ送りピッチ: 8mm

BRASS PLAIN	COPPER ALLOY PRE-TIN	1318329-1
CONTACT FERRULE	CONTACT BODY	AMP PART NUMBER
コンタクトフェルール	コンタクトボディ	
MATERIAL / FINISH		材料 / 仕上

WIRE RANGE 包合電線断面積	0.5~0.85 mm ²	INSULATION DIA 被覆外径	φ1.25~1.9
-----------------------	--------------------------	------------------------	-----------

THIS DRAWING IS A CONTROLLED DOCUMENT FOR TYCO ELECTRONICS CORPORATION. IT IS SUBJECT TO CHANGE AND THE CONTROLLING ENGINEERING ORGANIZATION SHOULD BE CONTACTED FOR THE LATEST REVISION.		DWN	Y. FUJIWARA	180CT99
DIMENSIONS: mm		CHK	K. ODA	190CT99
TOLERANCES UNLESS OTHERWISE SPECIFIED: 一般公差 = ± 0.2		APVD	K. ODA	190CT99
0 PLC ±		PRODUCT SPEC	-	
1 PLC ±0.1		APPLICATION SPEC	114-5278	
2 PLC ±0.05		WEIGHT	0.23g	
3 PLC ±0.025		CUSTOMER DRAWING	-	
4 PLC ±0.0001		SCALE	10:1	
ANGLES ±1.00'		SHEET	1 OF 1	
MATERIAL	COPPER ALLOY	FINISH	SEE TABLE	
REV C		RESTRICTED TO	-	

Tyco Electronics		Tyco Electronics JAPAN G.K. Kawasaki, Japan	
NAME REC CONTACT ASSY M RANGE CLEAN BODY 025 CONNECTOR			
SIZE	A3	CAGE CODE	00779
DRAWING NO	C=1318329		

Mouser Electronics

Authorized Distributor

Click to View Pricing, Inventory, Delivery & Lifecycle Information:

[TE Connectivity:](#)

[1318329-1 \(MOUSER REEL\)](#) [1318329-1 \(CUT STRIP\)](#)