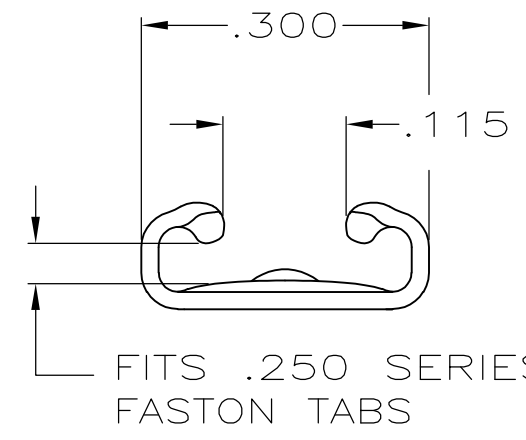
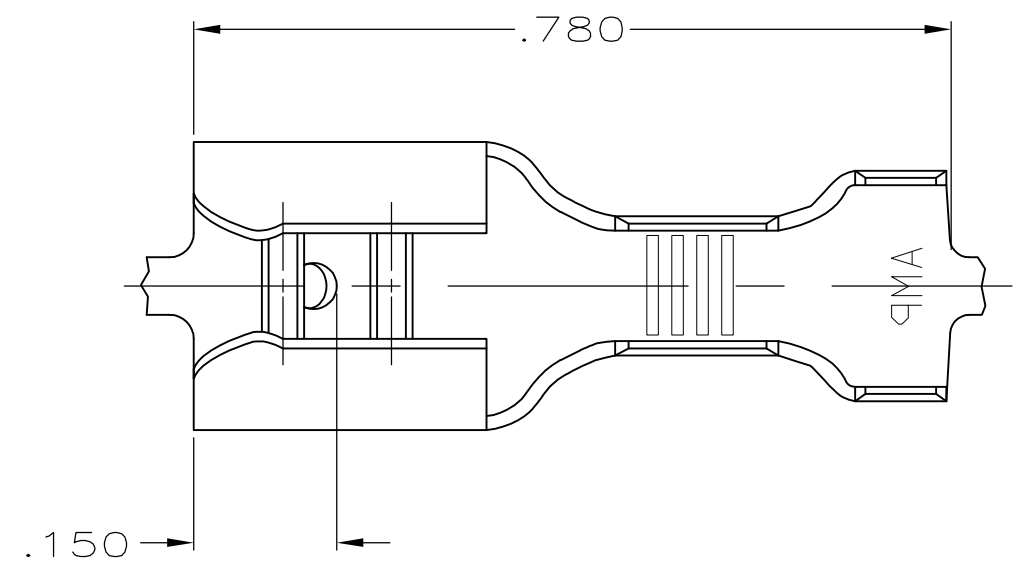


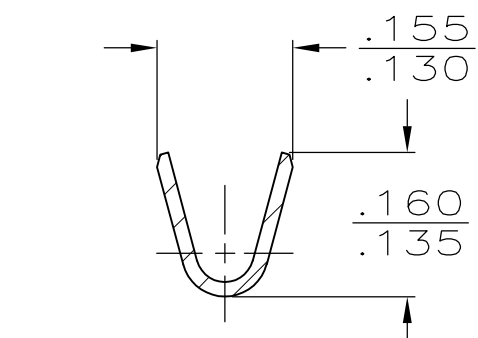
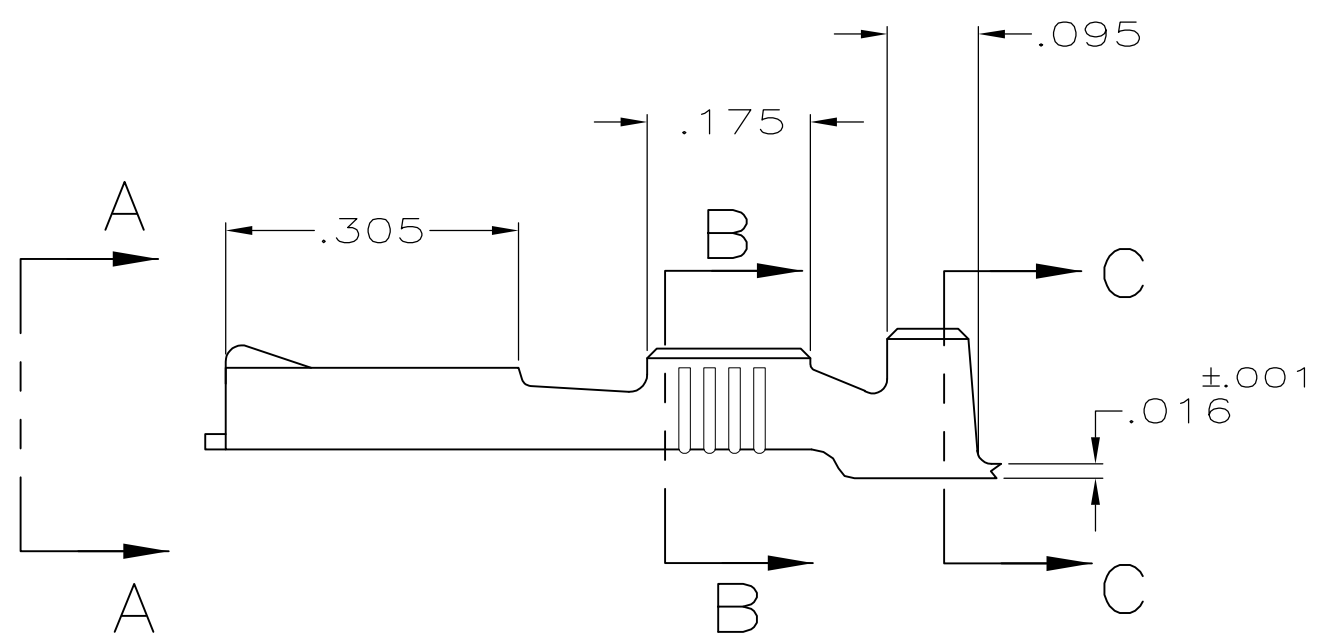
THIS DRAWING IS UNPUBLISHED. RELEASED FOR PUBLICATION
 © COPYRIGHT - By - ALL RIGHTS RESERVED.

LOC	DIST	REVISIONS					
AF	50	P	LTR	DESCRIPTION	DATE	DWN	APVD
		G		REVISED PER ECR-12-013445	09NOV12	KH	PD

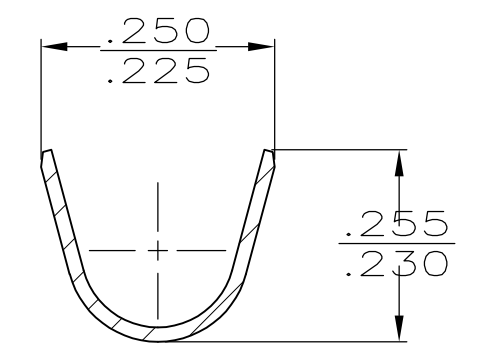
1 CONTINUOUS STRIP ON REELS.



VIEW A-A



SECTION B-B



SECTION C-C

TIN	.150-.210 DIA	18-14 AWG	.032	42692-2
-				42692-1
FINISH	INSULATION RANGE	WIRE SIZE	MATING TAB THK ±.001	PART NUMBER

THIS DRAWING IS A CONTROLLED DOCUMENT.		DWN JR RUTH 4/15/91	TE Connectivity RECEPTACLE, FASTON, .250 SERIES											
DIMENSIONS: INCHES		CHK MS FEHER 4/15/91												
TOLERANCES UNLESS OTHERWISE SPECIFIED:		APVD C MEYERS 4/15/91												
<table border="0"> <tr> <td>0 PLC</td><td>± -</td></tr> <tr> <td>1 PLC</td><td>± -</td></tr> <tr> <td>2 PLC</td><td>± -</td></tr> <tr> <td>3 PLC</td><td>± .015</td></tr> <tr> <td>4 PLC</td><td>± -</td></tr> <tr> <td>ANGLES</td><td>± -</td></tr> </table>		0 PLC				± -	1 PLC	± -	2 PLC	± -	3 PLC	± .015	4 PLC	± -
0 PLC	± -													
1 PLC	± -													
2 PLC	± -													
3 PLC	± .015													
4 PLC	± -													
ANGLES	± -													
MATERIAL BRASS	FINISH SEE TABLE	APPLICATION SPEC -	NAME	SIZE A3	CAGE CODE 00779	DRAWING NO C-42692	RESTRICTED TO -							
CUSTOMER DRAWING			SCALE 5:1	SHEET 1 OF 1	REV G									

Mouser Electronics

Authorized Distributor

Click to View Pricing, Inventory, Delivery & Lifecycle Information:

[TE Connectivity:](#)

[42692-2](#) [42692-2 \(MOUSER REEL\)](#) [42692-2 \(CUT STRIP\)](#)