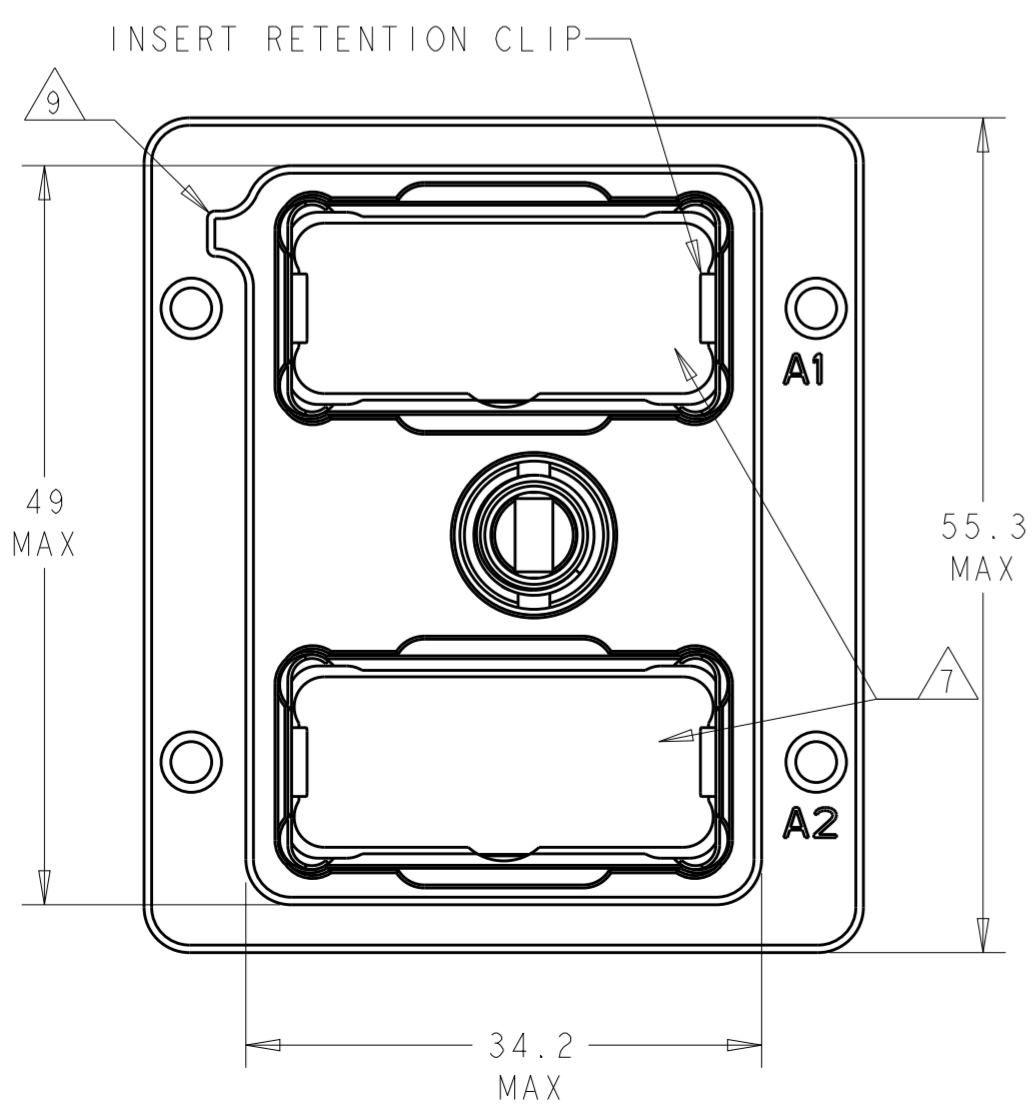
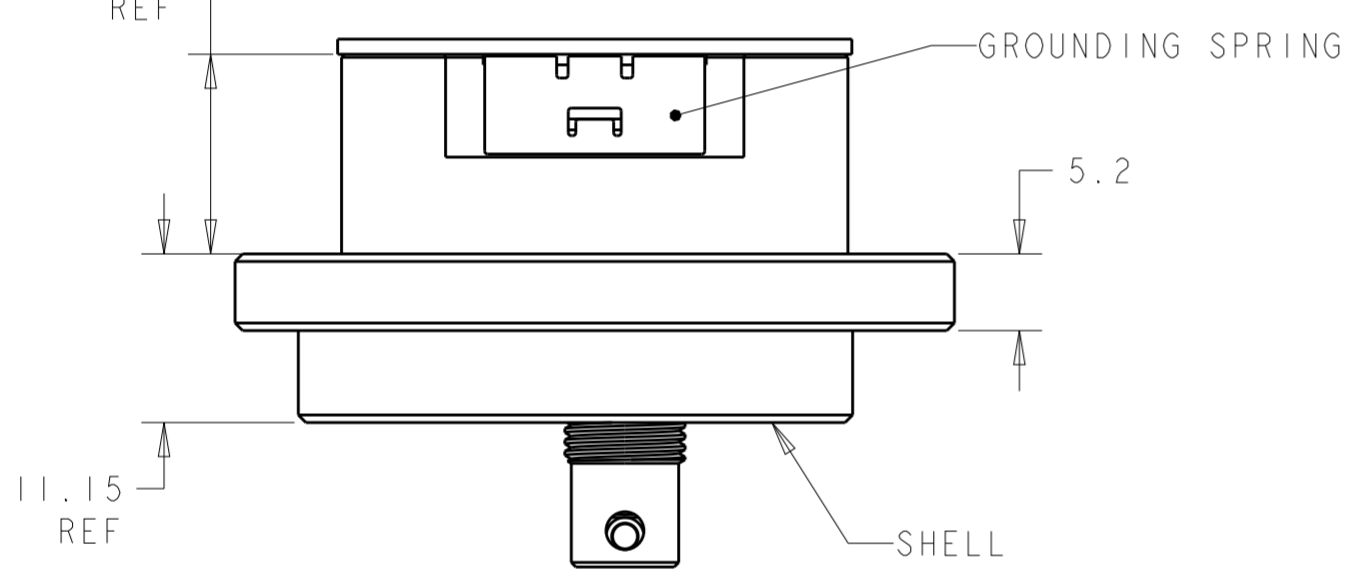
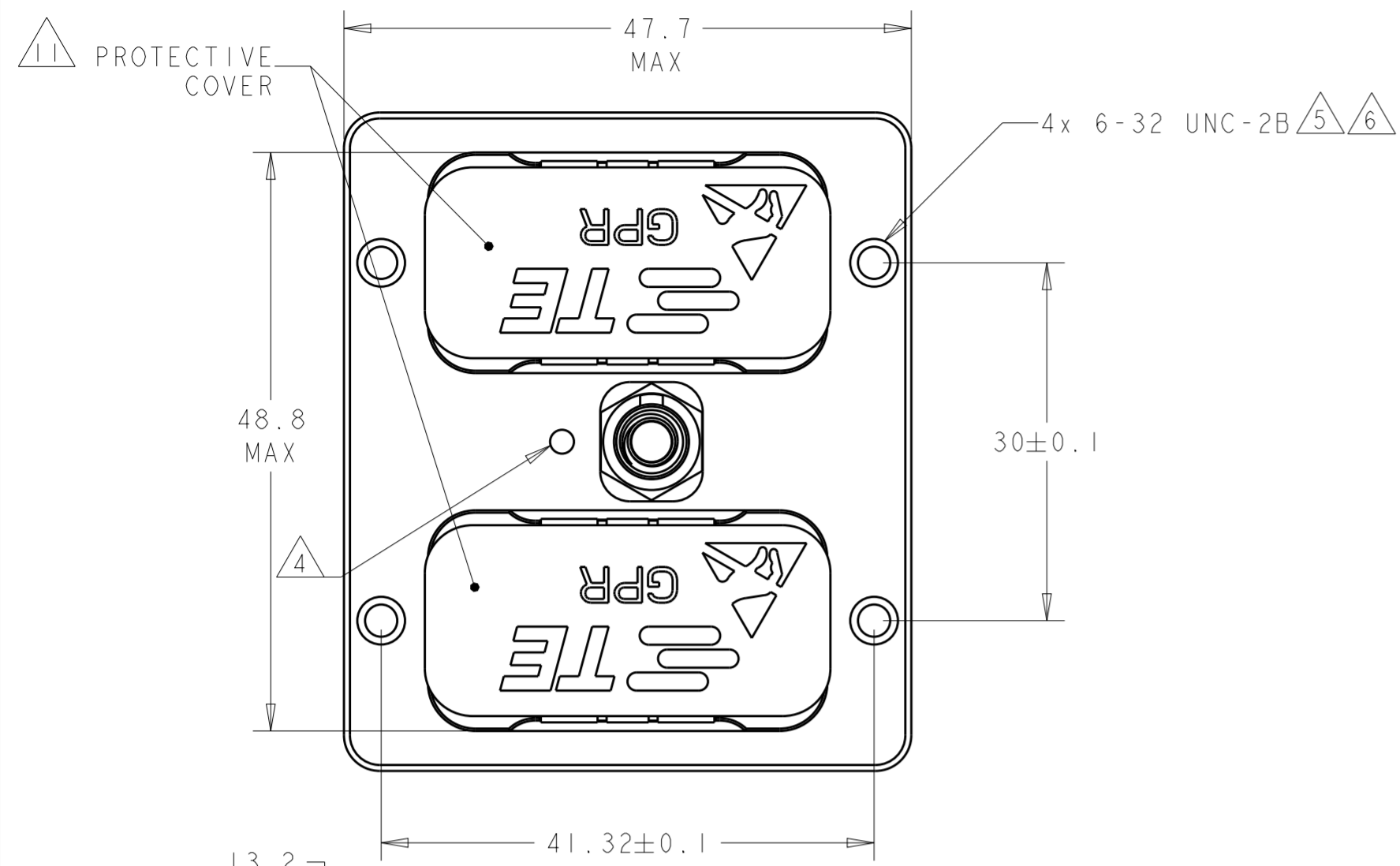


THIS DRAWING IS UNPUBLISHED. RELEASED FOR PUBLICATION
 © COPYRIGHT - BY - ALL RIGHTS RESERVED.

REVISIONS							
LOC	DIST	P	LTR	DESCRIPTION	DATE	DWN	APVD
-	-	G		REV PER ECO 13-013890	9-16-13	CT	KH



1 SHELL: ALUMINUM ALLOY 6061 T651
 INSERT RETENTION CLIP & GROUNDING SPRING: COPPER ALLOY PER ASTM B194
 JACKNUT & RETAINING NUT: STAINLESS STEEL PER AISI 316
 JACKNUT SPRING: STAINLESS STEEL PER AISI 302.
 PROTECTIVE COVER: ANTI-STATIC THERMOPLASTIC ELASTOMER PER ASTM D5593

2 SHELL: ELETROLESS NICKEL PER SAE AMS-C-26074, CLASS 1.
 GROUNDING SPRING: ELECTROLYTIC NICKEL PER SAE AMS-QQ-290

3 DATE CODE - YEAR & WEEK (YY WW).

4 INDEXING POINT FOR POLARIZATION.

5 6-32 SCREWS ARE REQUIRED FOR PANEL MOUNTING (NOT INCLUDED).
 SCREW HEAD DIAMETER: 6 MAX
 RECOMMENDED TORQUE 1.1 N-m [10 lb-in] MIN

6 6-32 THREADED HOLES ARE SELF-LOCKING, HAVING THE SPIRALOCK® THREAD FORM.
 SPIRALOCK® IS A REGISTERED TRADEMARK OF SPIRALOCK CORPORATION.

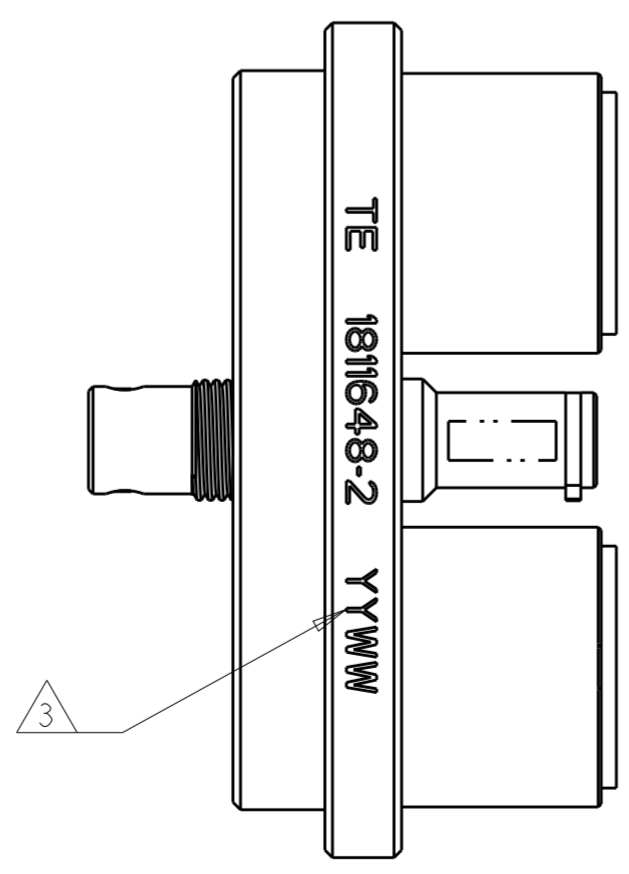
7 SHELL CAVITIES FOR GPRB SERIES INSERTS WITH KEYING CODE A.

8 THE JACKNUT & RETAINING NUT ARE PRE-ASSEMBLED TO THE SHELL. THESE ARE SHOWN UNASSEMBLED FOR CLARITY.

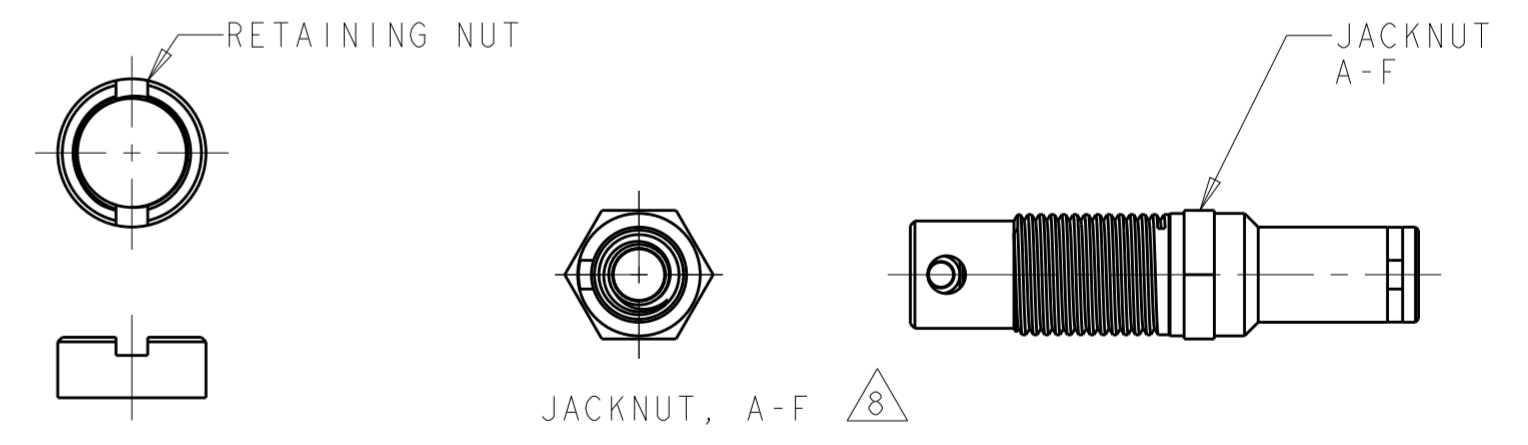
9 POLARIZATION FEATURE TO PREVENT FRONT PANEL MOUNTING.

10 PANEL THICKNESS: 5 MAX.

11 COVERS ARE NOT INCLUDED WITH 1811648-1;
 COVERS ARE INCLUDED WITH 1811648-2;
 COVERS MAY BE ORDERED SEPARATELY AS TYCO PART NUMBER 1877329-1.



P/N 1811648-2 SHOWN

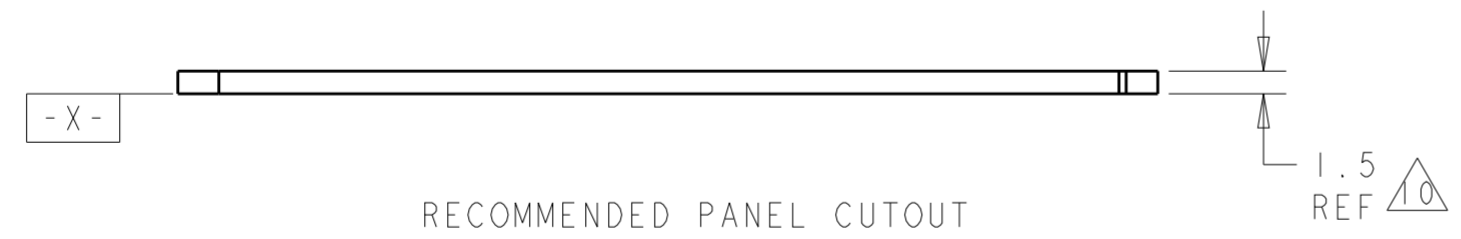
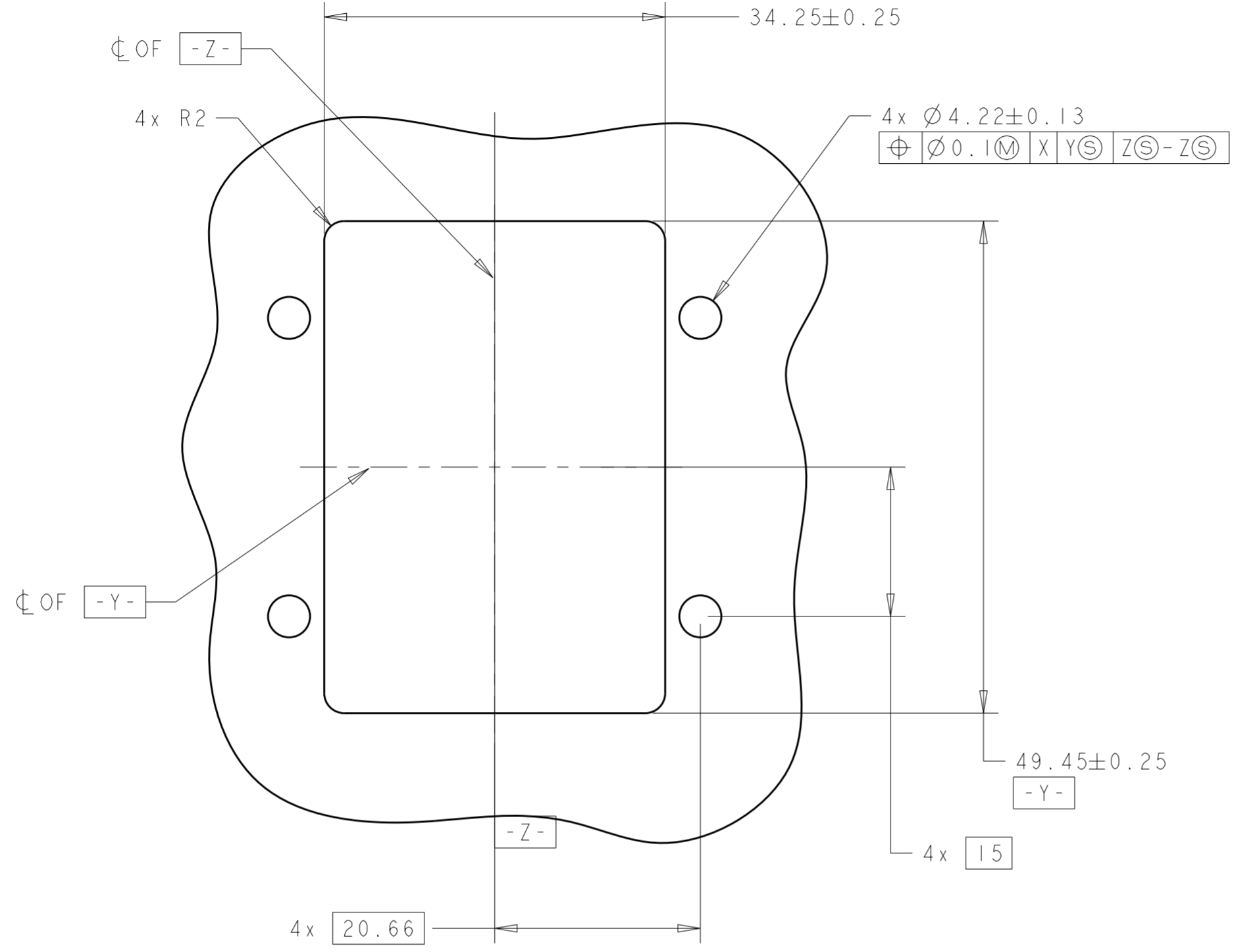


INCLUDES PROTECTIVE COVERS	1811648-2
WITHOUT PROTECTIVE COVER	1811648-1
COMMENTS	PART NUMBER

THIS DRAWING IS A CONTROLLED DOCUMENT.		DWN	BW	10AUG05	TE Connectivity NAME RECEPTACLE SHELL ASSEMBLY, VERTICAL, GPRB2	
DIMENSIONS:		CHK	JPM	10AUG05		
mm		APVD	JPM	10AUG05		
TOLERANCES UNLESS OTHERWISE SPECIFIED:		PRODUCT SPEC		SIZE		
0 PLC	±0.2	APPLICATION SPEC		CAGE CODE	DRAWING NO	RESTRICTED TO
1 PLC	±0.2	WEIGHT		A2	00779	C-1811648
2 PLC	±0.2	CUSTOMER DRAWING		SCALE	2:1	SHEET 1 OF 2
3 PLC	±					REV G
4 PLC	±					
ANGLES	±					
FINISH	±					

THIS DRAWING IS UNPUBLISHED. RELEASED FOR PUBLICATION
 © COPYRIGHT - BY - ALL RIGHTS RESERVED.

LOC	DIST	REVISIONS			
P	LTR	DESCRIPTION	DATE	DWN	APVD
-	-	SEE SHEET 1	-	-	-



THIS DRAWING IS A CONTROLLED DOCUMENT.		DWN BW	10AUG05	TE Connectivity	
DIMENSIONS: mm		CHK JPM	10AUG05		
TOLERANCES UNLESS OTHERWISE SPECIFIED:		APVD JPM	10AUG05	NAME RECEPTACLE SHELL ASSEMBLY, VERTICAL, GPRB2	
0 PLC	±0.2	PRODUCT SPEC		SIZE	
1 PLC	±0.2	APPLICATION SPEC		CAGE CODE	DRAWING NO
2 PLC	±0.2	WEIGHT		RESTRICTED TO	
3 PLC	±	CUSTOMER DRAWING		A200779	C-1811648
4 PLC	±	SCALE 1:1		SHEET 2	OF 2
ANGLES	±	SHEET 2 OF 2		REV G	
FINISH	±				

Mouser Electronics

Authorized Distributor

Click to View Pricing, Inventory, Delivery & Lifecycle Information:

[TE Connectivity:](#)

[1811648-1](#)