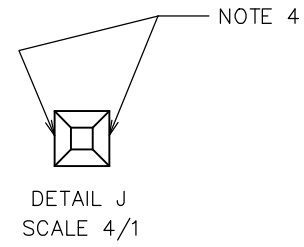
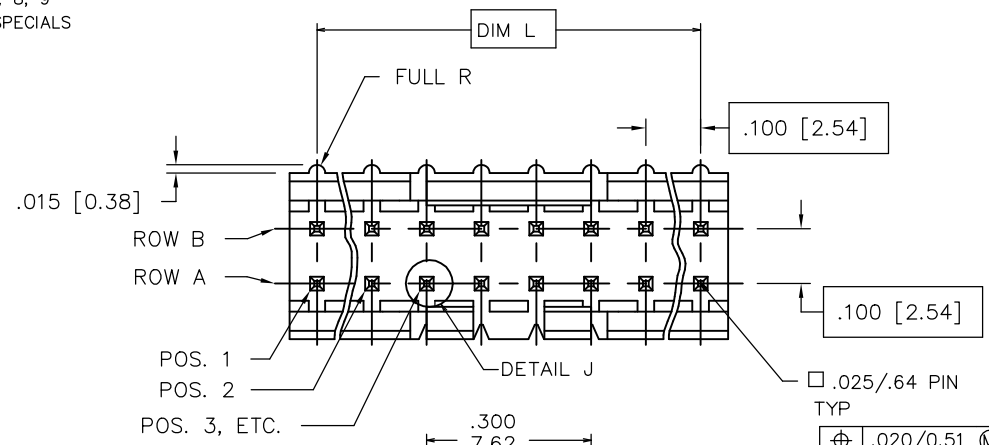
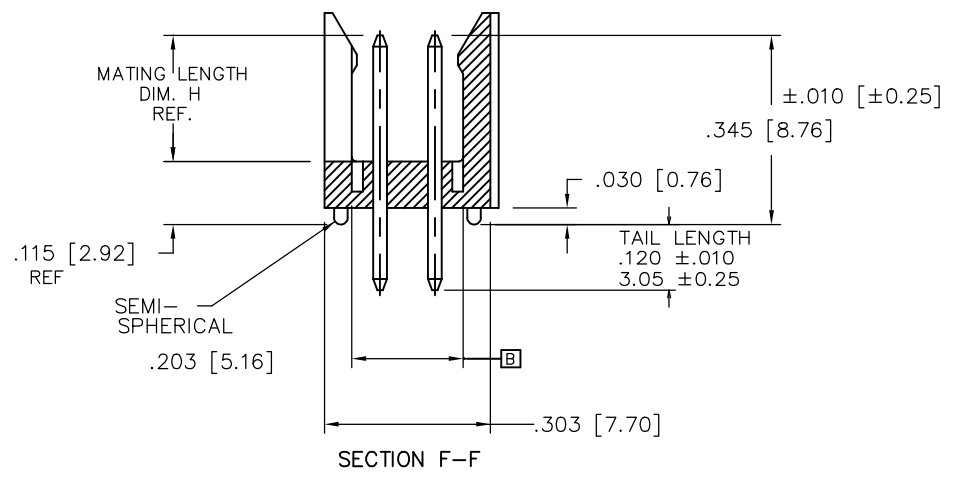
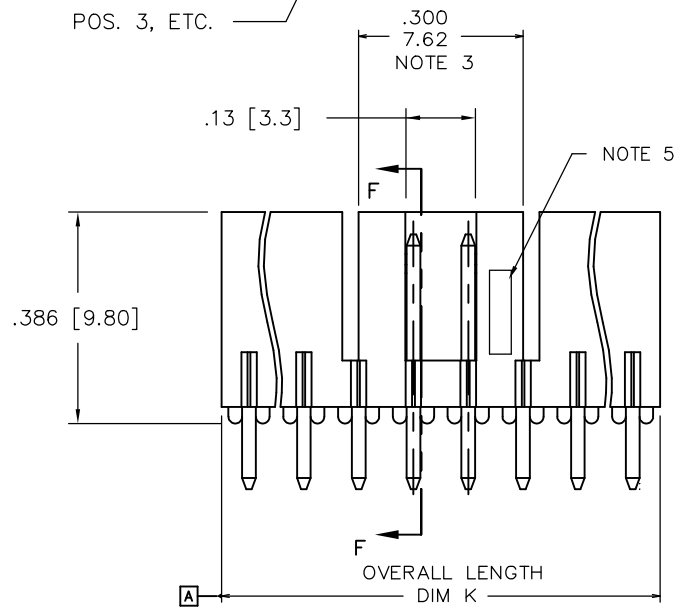


PRODUCT NUMBER  
69168-XYZHLF

- LEAD FREE OPTION  
SEE NOTE 7, 8, 9
- CUSTOMER SPECIALS  
SEE NOTE 6
- NO. OF POS.  
SEE TABLE
- PIN PLATING
- BASE P/N



□ .025/.64 PIN TYP  
 ⊕ .020/0.51 (M) A (S) B (S)  
 AT TIPS BOTH ENDS



Amphenol FCI

© 2016 AFCI

Mat'l. code NOTES 1 & 2		surface ISO 1302 ✓		tolerance ISO 206 ISO 1101		projection inch/mm		product family	
ltr	ecn no	dr	date	tolerances unless otherwise specified				title	
M	ELX-N-01899	JZ	05/31/12	angles	linear	XXXX.01/XXXX.03	inch/mm	FRICTION LATCH HEADER DOUBLE ROW VERTICAL	
N	ELX-N-37212	M.Z	05/29/20	0°±2°	linear	XXXX.0020/XXXX.01	scale 1:1	dwg no 69168 sheet 1 of 2 size A3	
		dr	L.SADERS	5/3/95		Amphenol FCI		type Product Customer Drawing	
		enr	L.FYE	5/3/95					
		chr	T.BREWBAKER	5/3/95					
		appd	L.FYE	5/3/95					
sheet index	revision sheet	N	N	1	2				

