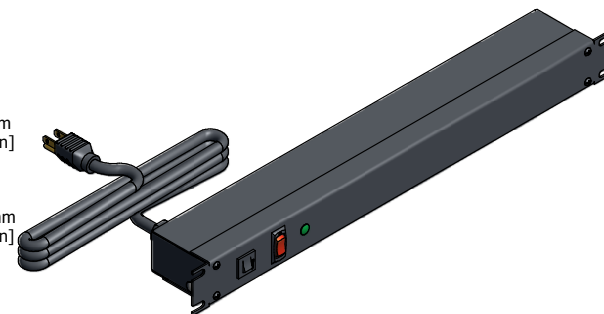
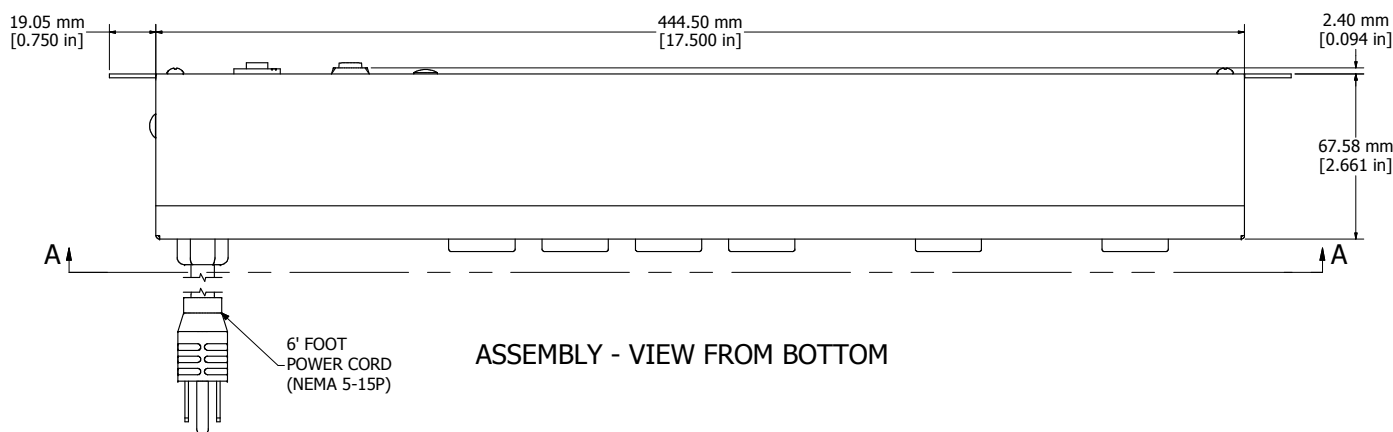


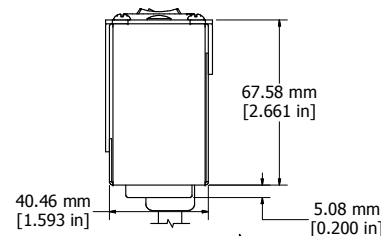
ASSEMBLY - VIEW FROM FRONT



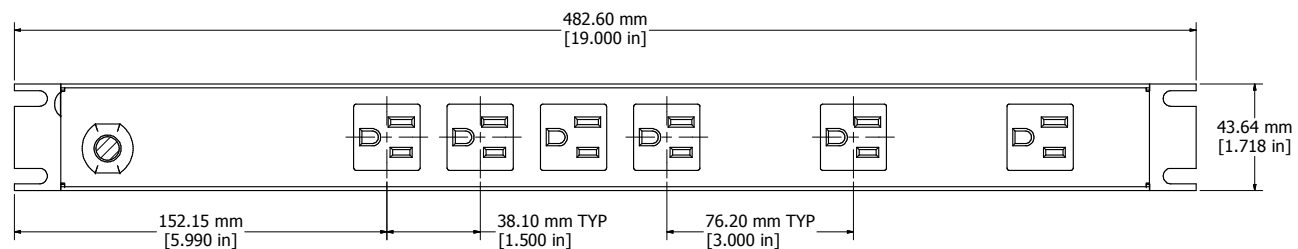
ISOMETRIC VIEW



ASSEMBLY - VIEW FROM BOTTOM



ASSEMBLY - VIEW FROM SIDE



SECTION A-A

1583H6**S**	
Finish - Front - Black Painted Steel	
Back - Black Painted Steel	
Rated - 125 VAC, 60 Hz, 15 Amps	
Approvals - CSA Certified Standards C22.2 (No. 21-95, 42-99) - CSA No. 8-M1986	
Surge Specs - 780 Joules, 54000 Amps Transient Current - Protection in 3 AC Modes (L-N, N-G, L-G)	
Colours & Cord Length	
1583H6A1SBK - Black w/ 6' Foot Power Cord (NEMA 5-15P)	
1583H6A1S - ASA 61 Grey w/ 6' Foot Power Cord (NEMA 5-15P)	
1583H6B1SBK - Black w/ 15' Foot Power Cord (NEMA 5-15P)	
1583H6B1S - ASA 61 Grey w/ 15' Foot Power Cord (NEMA 5-15P)	

**HAMMOND  
MANUFACTURING™**

**1583H6\*\*S\*\***

www.hammondmfg.com