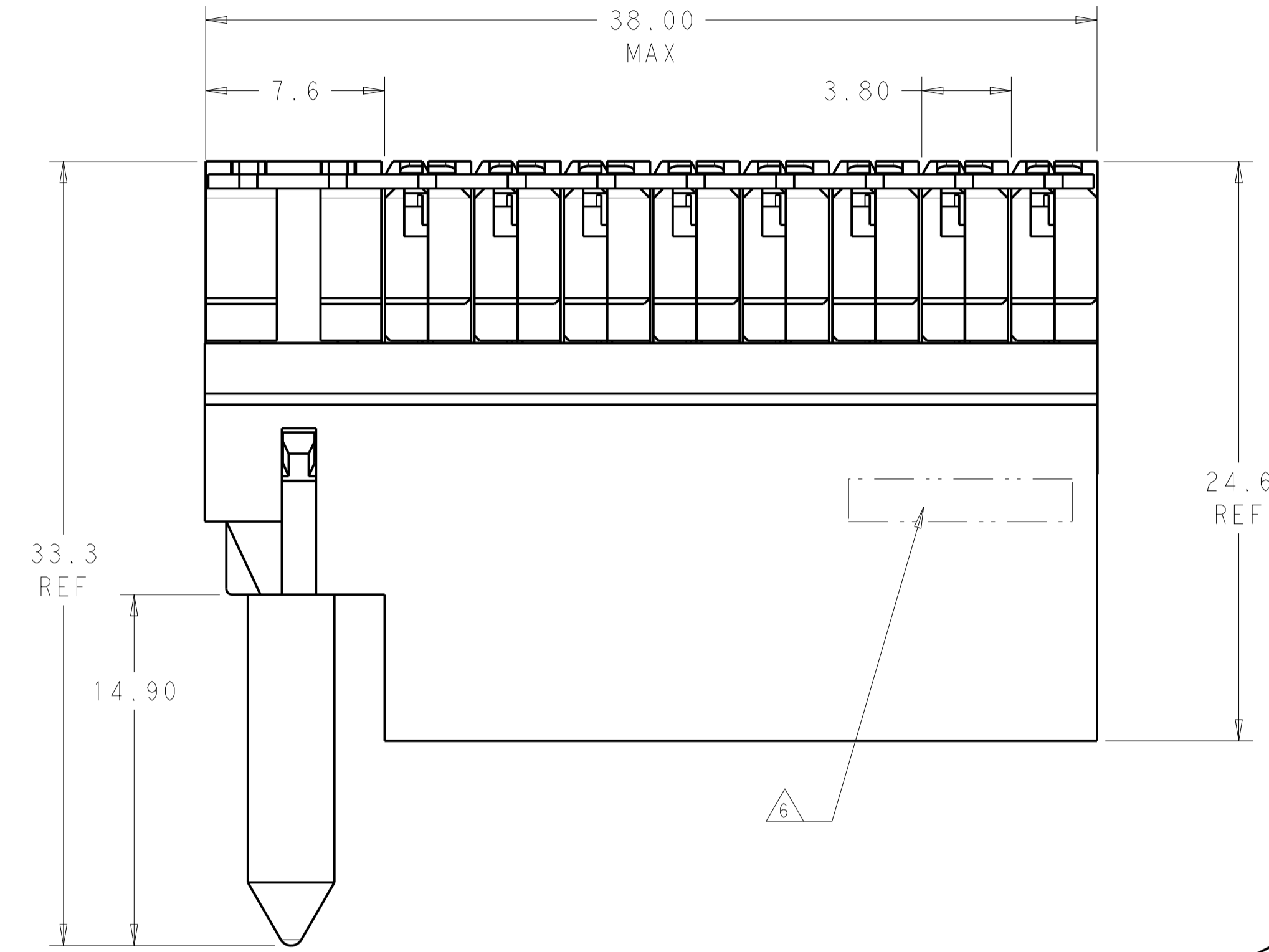
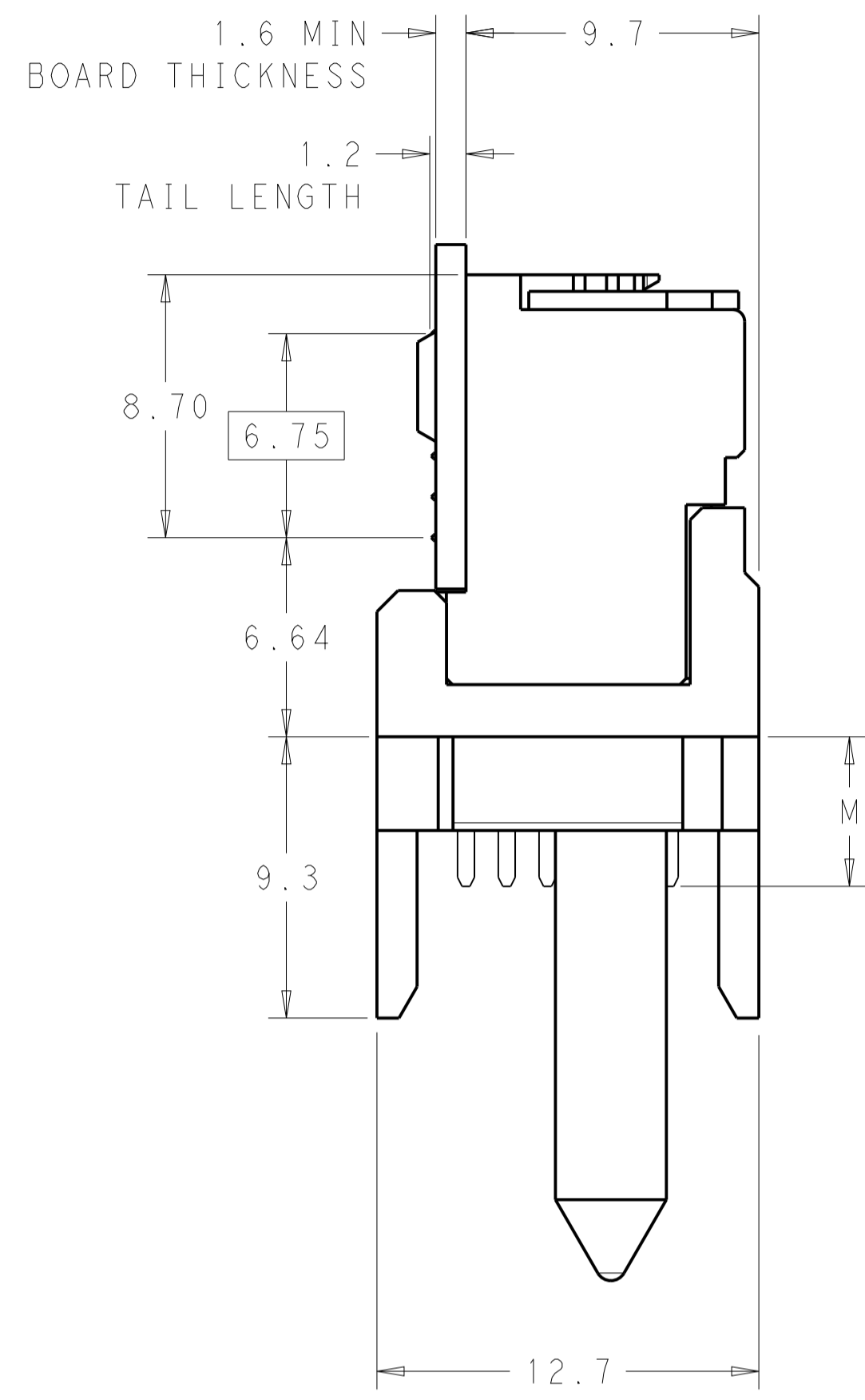
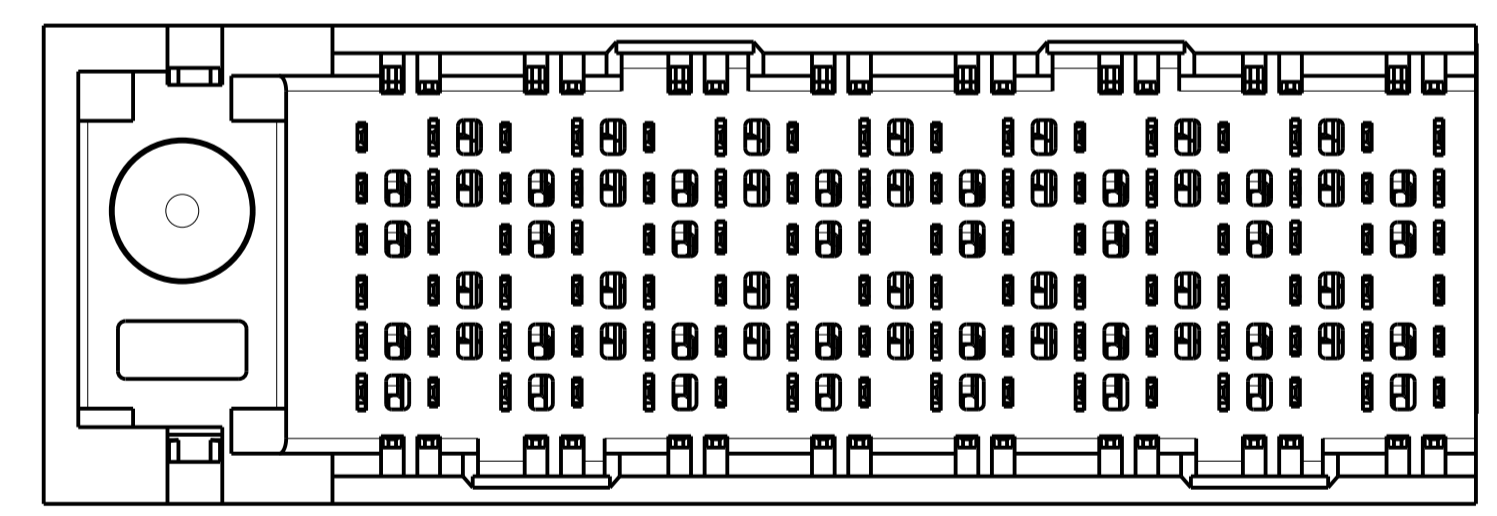
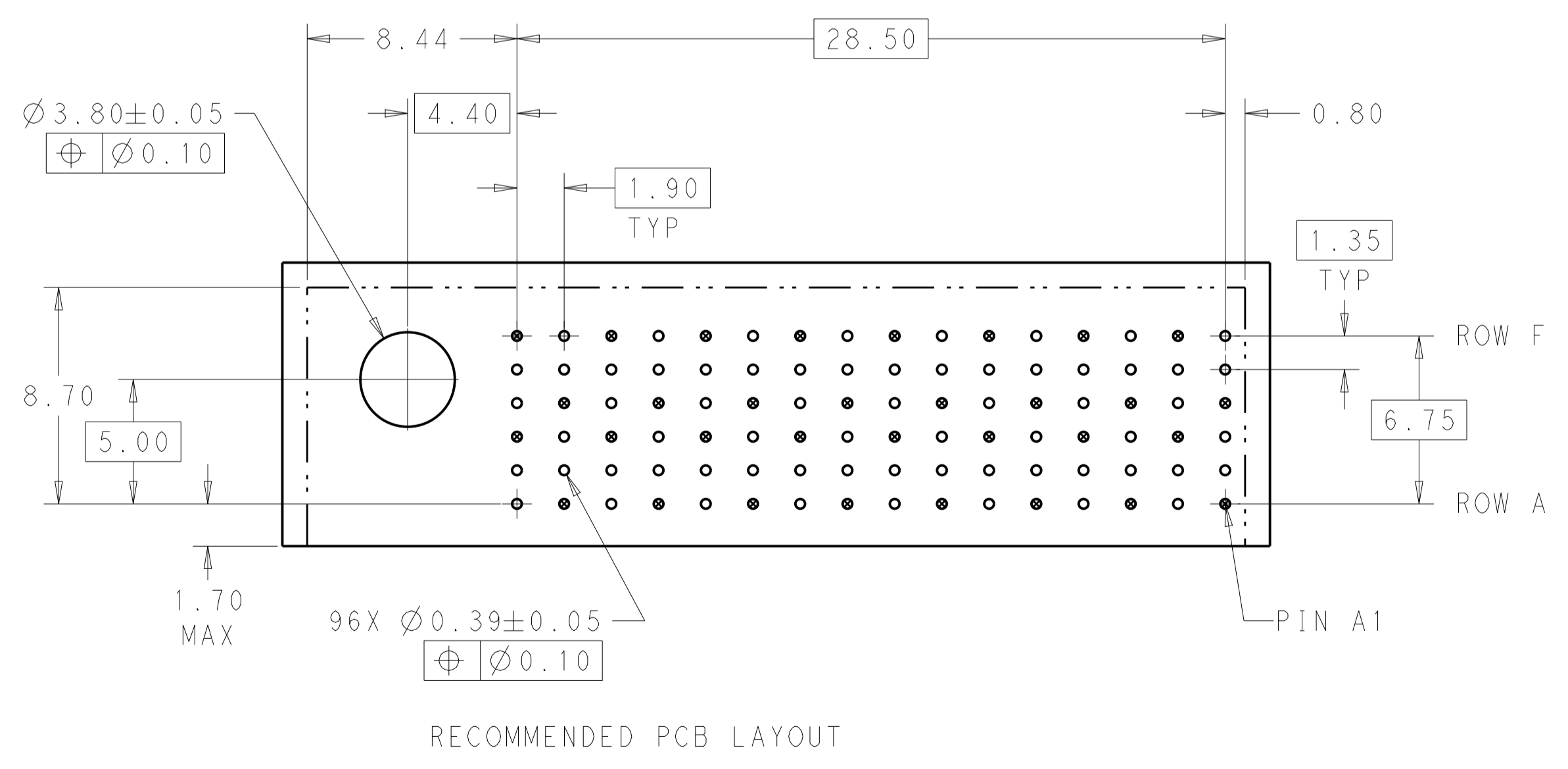
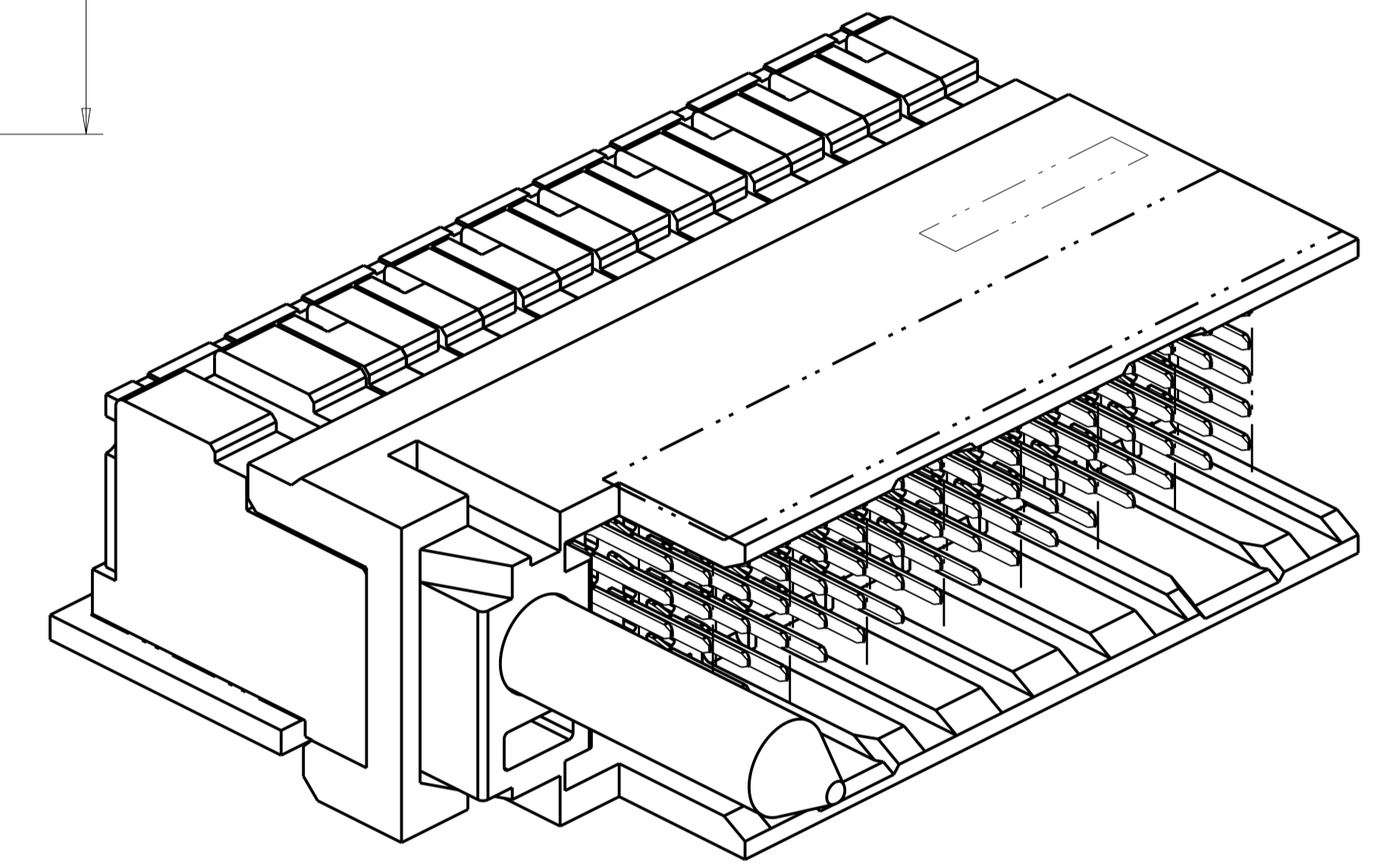


LOC		DIST		REVISIONS			
AD	00	REV	DATE	BY	CHK	APP	DATE
		C	22APR2014		AP	DD	

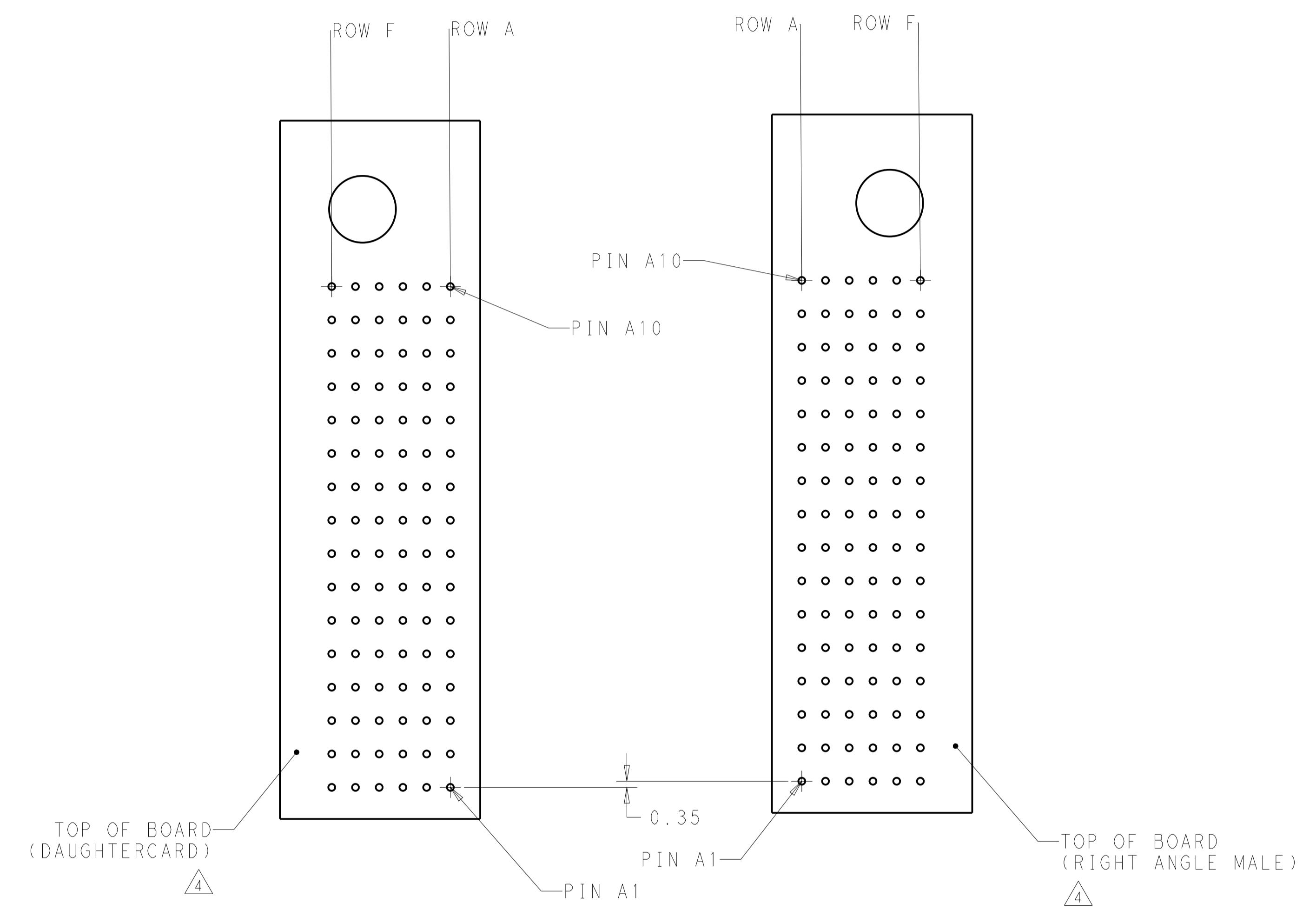


- △ MATERIAL:
HOUSING: LCP, GLASS FILLED, UL94V-0.
TERMINALS: HIGH PERFORMANCE COPPER ALLOY.
- △ FINISH:
30µm SELECTIVE GOLD IN CONTACT AREA. SELECTIVE TIN ON PCB TAILS, NICKEL OVERALL.
- △ FINISH:
30µm SELECTIVE GOLD IN CONTACT AREA. SELECTIVE TIN-LEAD ON PCB TAILS, NICKEL OVERALL.
- △ LEFT GUIDED RIGHT ANGLE MALE MATES TO RIGHT GUIDED RIGHT ANGLE RECEPTACLE.
- 5. CONNECTOR SUPPLIED WITH MOUNTING SCREW.
- △ TE LOGO LOCATED IN APPROXIMATE LOCATION.



THIS DRAWING IS A CONTROLLED DOCUMENT.		DWN	07APR2011	STE TE Connectivity
DIMENSIONS:		CHK	J. EARY 07APR2011	
mm	TOLERANCES UNLESS OTHERWISE SPECIFIED:	APPD	J. EARY 07APR2011	NAME IMPACT, STD. RAM, 2 PAIR, 16 COLUMN, LEFT GUIDED OPEN END WALL SIGNAL MODULE, 0.39 EYELET
0 PLC	±	PRODUCT SPEC		
1 PLC	±0.25	APPLICATION SPEC		SIZE
2 PLC	±0.13	WEIGHT		CAGE CODE
3 PLC	±	CUSTOMER DRAWING		DRAWING NO
4 PLC	±	SCALE	5:1	SHEET
ANGLES	±			OF
MATERIAL	SEE TABLE			2
FINISH				REV
				C

LOC		DIST		REVISIONS			
AD	00	REV	DATE	BY	CHK	APPV	DESCRIPTION
		-	-	-	-	-	SEE SHEET 1



COPLANAR MATED SIGNAL PATHS



FINISH	DIM M	PART NUMBER
△3	5.50	2143313-6
△3	4.90	2143313-5
△2	5.50	2143313-3
△2	4.90	2143313-2

REFER TO WWW.TE.COM FOR PRODUCT AVAILABILITY

THIS DRAWING IS A CONTROLLED DOCUMENT.		DWN	07APR2011	TE Connectivity
DIMENSIONS:		CHK	J. EARY 07APR2011	
mm	TOLERANCES UNLESS OTHERWISE SPECIFIED:	APPV	J. EARY 07APR2011	NAME IMPACT, STD. RAM, 2 PAIR, 16 COLUMN, LEFT GUIDED OPEN END WALL SIGNAL MODULE, 0.39 EYELET
	0 PLC ±	PRODUCT SPEC		
	1 PLC ±0.25	APPLICATION SPEC		SIZE
	2 PLC ±0.13	WEIGHT		CAGE CODE
	3 PLC ±	CUSTOMER DRAWING		DRAWING NO
	4 PLC ±	SCALE	5:1	SHEET
	ANGLES			OF
	FINISH			2
	SEE TABLE			REV
				C

Mouser Electronics

Authorized Distributor

Click to View Pricing, Inventory, Delivery & Lifecycle Information:

[TE Connectivity:](#)

[2143313-3](#)